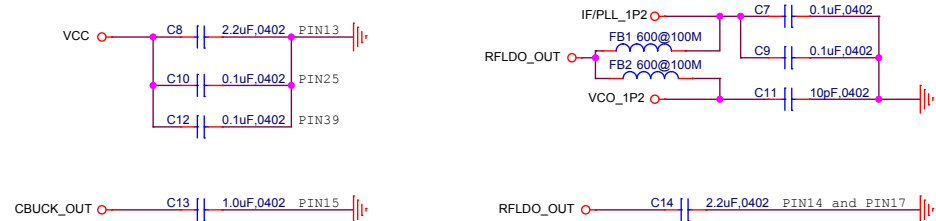
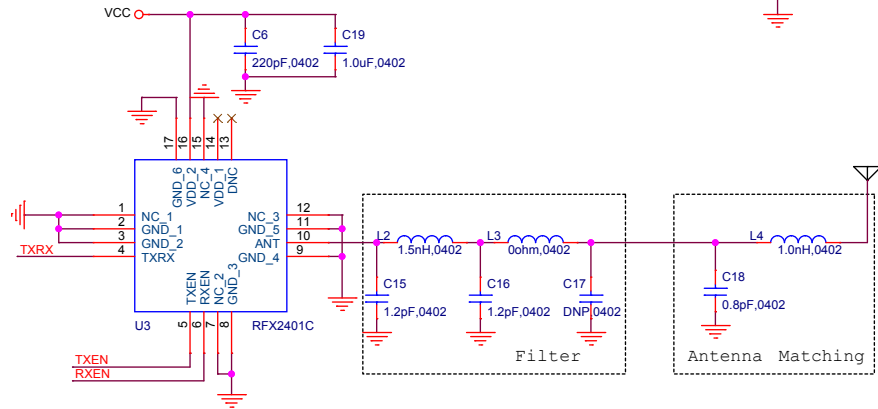
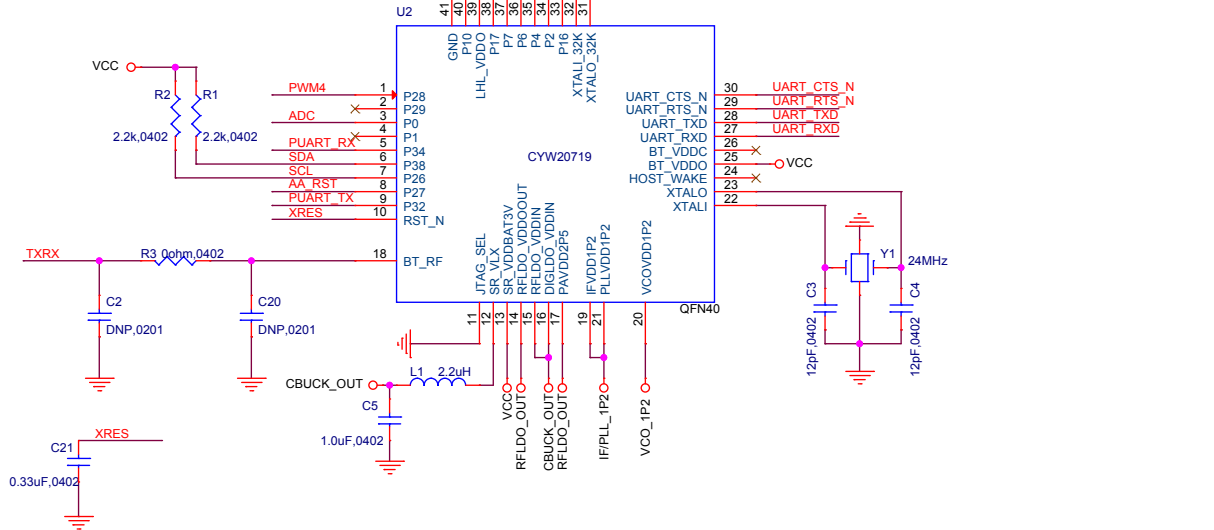
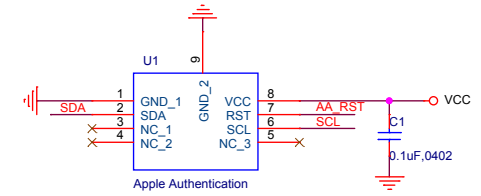
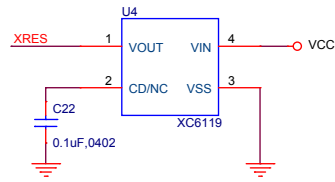
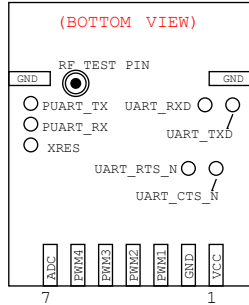
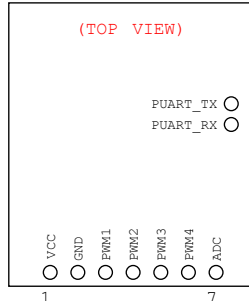
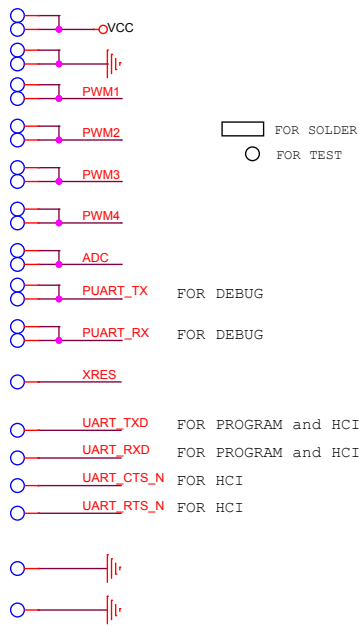


MODULE PAD ASSIGNMENT



Cypress Semiconductor Corp.		
Title: CYBLE-413136/473142-01		
Size B	Document Number: 630-20107-01	Rev 1.1
Date: 2017WW13	Sheet 1	of 1