

## General Description

The Cypress CYBT-013033-01 is a certified module supporting dual-mode Bluetooth<sup>®</sup> Classic (BR/EDR) and Bluetooth<sup>®</sup> Low Energy (BLE) wireless communication standards. The CYBT-013033-01 is a turnkey solution and includes an onboard crystal oscillator, PCB trace antenna, passive components, and Cypress CYW20707 silicon device.

The CYBT-013033-01 is a custom RF module design intended to provide Bluetooth Classic and BLE communication, and allow up to two GPIO connections for system or module wake events. The CYBT-013033-01 supports UART and BSC (I2C compatible) serial communication, and allows for interface to the Apple MFi Coprocessor chip (via the BSC connection).

The Cypress CYBT-013033-01 complies with Bluetooth Core Specification version 4.2+HS and is designed for use in UART HCI applications. The combination of the Bluetooth Baseband Core (BBC), a Peripheral Transport Unit (PTU), and a Cortex-M3 based microprocessor with on-chip ROM provides a lower and upper layer Bluetooth stack, including Link Controller (LC), Link Manager (LM), and HCI.

## Module Features

- Module size: 10.0 mm × 15.0 mm × 2.25 mm (with shield)
- Bluetooth dual-mode module, complying with Bluetooth Core Specification 4.2 including BR/EDR/BLE
- Supports maximum Bluetooth data rates over HCI UART
- Temperature range: -30 °C to +85 °C
- ARM<sup>®</sup> Cortex<sup>®</sup>-M3 processor
- Multiple serial interface options:
  - UART: HCI interface supporting up to 4 Mbps
  - BSC (I2C compatible): Supporting 400 kHz clock support
- Apple MFi Coprocessor interface
- 2 GPIOs
- Certified to FCC, CE, MIC, and IC regulations
  - FCC ID: WAP3033
  - IC ID: 7922A-3033
  - MIC ID: TBD
- Bluetooth SIG 4.2 qualified
  - QDID: TBD
  - Declaration ID: TBD

## Benefits

The CYBT-013033-01 module is provided as a turnkey solution, including all necessary hardware required to use BR, EDR, and BLE communication standards.

- Proven, qualified, and certified hardware design ready to use
- Small footprint (10 × 15 mm × 2.25 mm), perfect for space constrained applications
- Fully certified module eliminates the time needed for design, development and certification processes
- Bluetooth SIG qualified with QDID and Declaration ID
- Multiple serial communication protocol support
- Interface option for Apple MFi Authentication Coprocessor
- WICED Studio provides an easy-to-use integrated design environment (IDE) to configure, develop, program, and test your application.

**Contents**

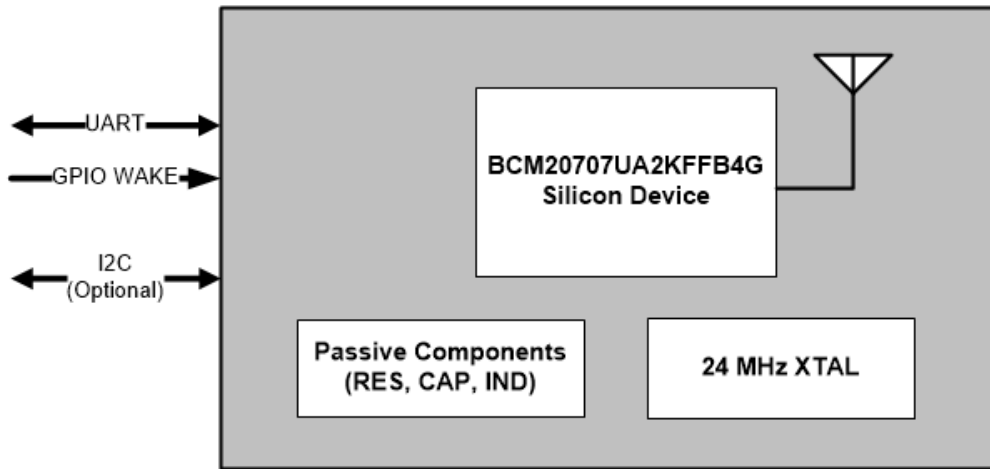
<b>Overview</b> .....	<b>3</b>	<b>Electrical Characteristics</b> .....	<b>16</b>
Functional Block Diagram .....	3	<b>RF Specifications</b> .....	<b>19</b>
Module Description.....	3	Timing and AC Characteristics.....	22
<b>Pad Connection Interface</b> .....	<b>6</b>	<b>Environmental Specifications</b> .....	<b>24</b>
<b>Recommended Host PCB Layout</b> .....	<b>7</b>	Environmental Compliance .....	24
<b>Module Connections</b> .....	<b>8</b>	RF Certification.....	24
Connections and Optional External Components .....	8	Safety Certification .....	24
Power Connections (VDDIN).....	8	Environmental Conditions .....	24
External Reset (XRES).....	8	ESD and EMI Protection .....	24
UART Connections.....	8	<b>Regulatory Information</b> .....	<b>25</b>
External Component Recommendation .....	8	FCC.....	25
Critical Components List .....	10	Industry Canada (IC) Certification .....	26
Antenna Design.....	10	European R&TTE Declaration of Conformity .....	26
<b>Bluetooth Baseband Core</b> .....	<b>11</b>	MIC Japan .....	27
Bluetooth Low Energy .....	11	<b>Packaging</b> .....	<b>28</b>
<b>Link Control Layer</b> .....	<b>11</b>	<b>Ordering Information</b> .....	<b>30</b>
<b>Power Management Unit</b> .....	<b>12</b>	Part Numbering Convention .....	30
RF Power Management .....	12	<b>Acronyms</b> .....	<b>31</b>
SoC Power Management .....	12	<b>Document Conventions</b> .....	<b>31</b>
Bluetooth Baseband Core Power Management.....	12	Units of Measure .....	31
Adaptive Frequency Hopping .....	13	<b>Document History Page</b> .....	<b>32</b>
<b>Microprocessor Unit</b> .....	<b>14</b>	<b>Sales, Solutions, and Legal Information</b> .....	<b>33</b>
Overview .....	14	Worldwide Sales and Design Support.....	33
<b>One-Time Programmable Memory</b> .....	<b>14</b>	Products .....	33
<b>Peripheral Transport Unit</b> .....	<b>14</b>	PSoC® Solutions .....	33
HCI Transport Detection Configuration .....	14	Cypress Developer Community.....	33
UART Interface.....	15	Technical Support .....	33

**Overview**

**Functional Block Diagram**

Figure 1 illustrates the CYBT-013033-01 functional block diagram.

**Figure 1. Functional Block Diagram**



**Module Description**

The CYBT-013033-01 module is a complete module designed to be soldered to the applications main board.

*Module Dimensions and Drawing*

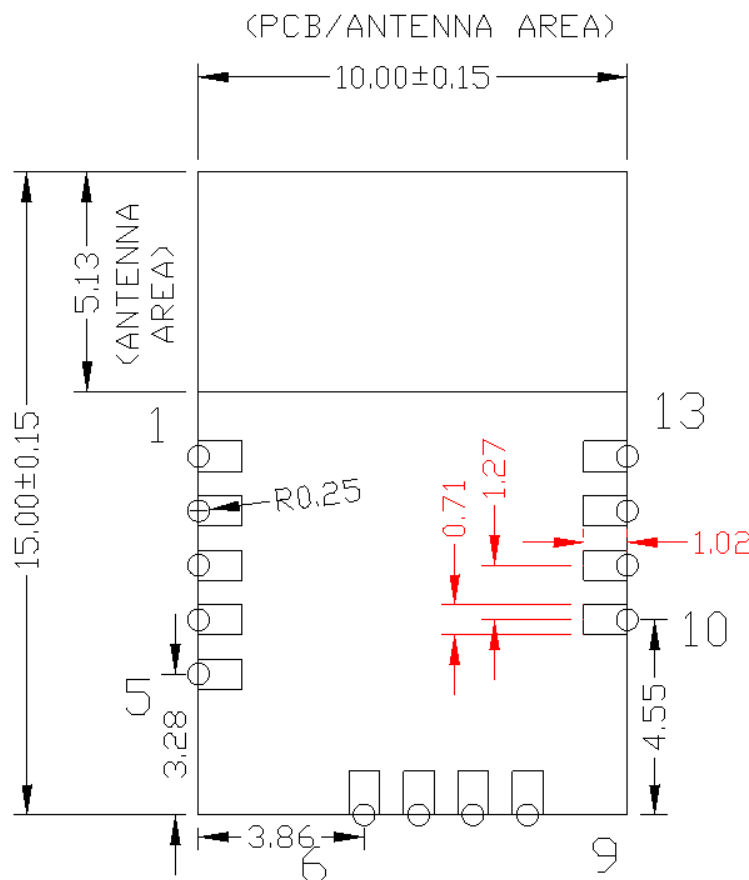
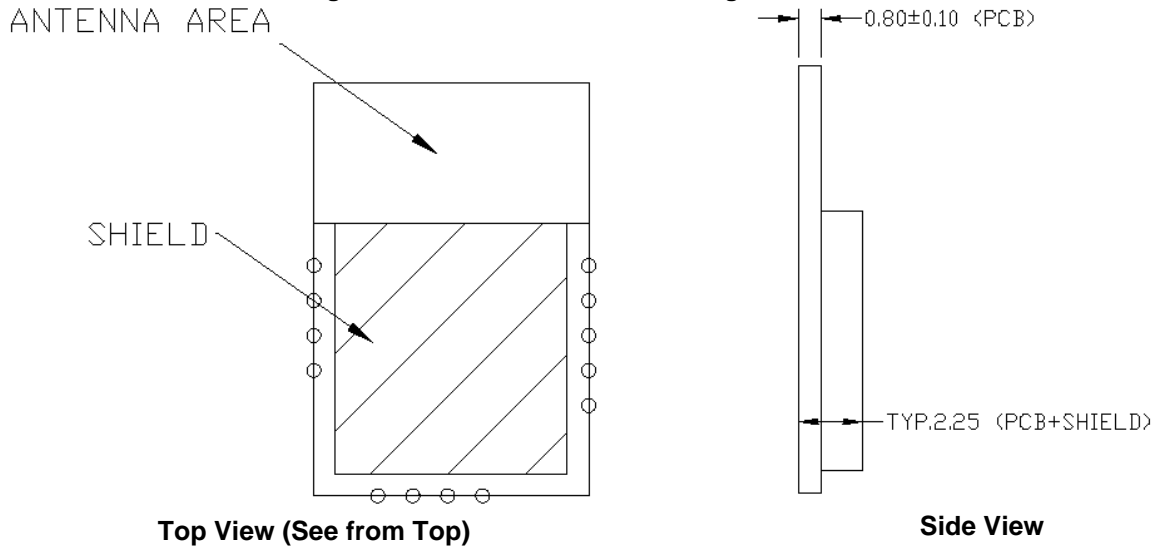
Cypress reserves the right to select components from various vendors to achieve the Bluetooth module functionality. Such selections will still guarantee that all mechanical specifications and module certifications are maintained. Designs should be held within the physical dimensions shown in the mechanical drawings in Figure 2 on page 4. All dimensions are in millimeters (mm).

**Table 1. Module Design Dimensions**

Dimension Item		Specification
Module dimensions	Length (X)	10.00 ± 0.15 mm
	Width (Y)	15.00 ± 0.15 mm
Antenna location dimensions	Length (X)	5.13 mm
	Width (Y)	10.00 mm
PCB thickness	Height (H)	0.80 ± 0.10 mm
Shield height	Height (H)	1.45 ± 0.10 mm
Maximum component height	Height (H)	1.05 mm typical (Bluetooth silicon device)
Total module thickness (bottom of module to highest component)	Height (H)	2.25 mm typical

See Figure 2 for the mechanical reference drawing for CYBT-013033-01.

**Figure 2. Module Mechanical Drawing**



**Bottom View (Seen from Bottom)**

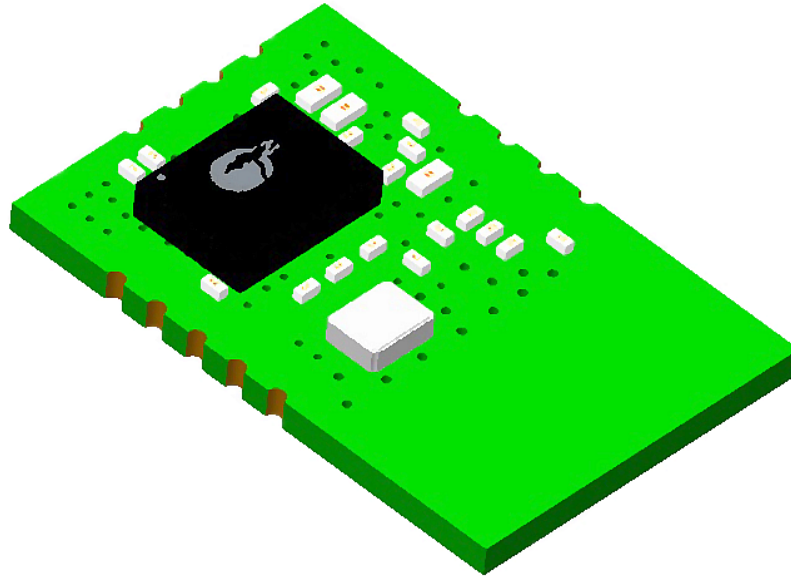
MODULE PAD  
ASSIGNMENT:

- PAD1: XRES
- PAD2: NC/SCL
- PAD3: NC/SDA
- PAD4: GPIO\_0/WAKE
- PAD5: NC/GPIO\_1
- PAD6: UART\_RXD
- PAD7: UART\_CTS
- PAD8: UART\_TXD
- PAD9: UART\_RTS
- PAD10: VDDIN(3.0V~3.6V)
- PAD11: GND
- PAD12: GND
- PAD13: GND

**Notes**

1. No metal should be located beneath or above the antenna area. Only bare PCB material should be located beneath the antenna area. For more information on recommended host PCB layout, see "Recommended Host PCB Layout" on page 7.
2. The CYBT-013033-01 includes castellated pad connections, denoted as the circular openings at the pad location above. Refer to the 3D rendering in Figure 3 on page 5 for a depiction of the pad construction.

**Figure 3. Module 3D Drawing**



**Top View Without Shield**



**Top View With Shield**

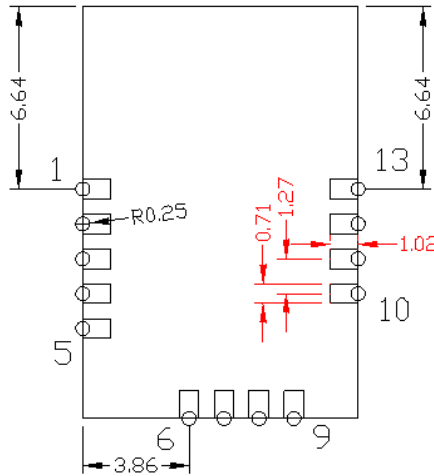
### Pad Connection Interface

As shown in the bottom view of [Figure 2](#) on page 4, the CYBT-013033-01 connects to the host board via solder pads on the bottom side of the module. [Table 2](#) and [Figure 4](#) detail the solder pad length, width, and pitch dimensions of the CYBT-013033-01 module.

**Table 2. Solder Pad Connection Description**

Name	Connections	Connection Type	Pad Length Dimension	Pad Width Dimension	Pad Pitch
SP	13	Castellated Solder Pads	1.02 mm	0.71 mm	1.27 mm

**Figure 4. Solder Pad Dimensions (Seen from Bottom)**

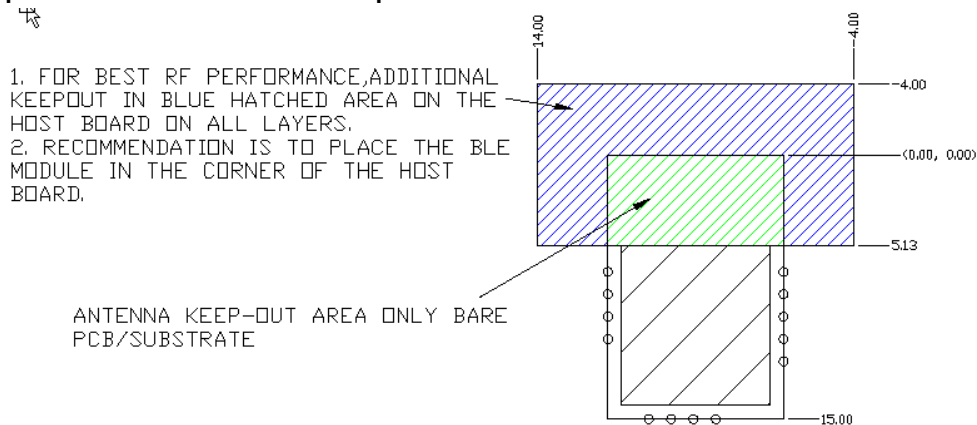


**Bottom View (Seen from Bottom)**

To maximize RF performance, the host layout should follow these recommendations:

1. Antenna Area Keepout: The host board directly below the antenna area of the Cypress module (see [Figure 2](#) on page 4) must contain no ground or signal traces. This keep out area requirement applies to all layers of the host board.
2. Module Placement: The ideal placement of the Cypress Bluetooth module is in a corner of the host board with the PCB trace antenna located at the far corner. This placement minimizes the additional recommended keep out area stated in item 2. Please refer to [AN96841](#) for module placement best practices.
3. Optional Keepout: To maximize RF performance, the area immediately around the Cypress Bluetooth module PCB trace antenna may contain an additional keep out area, where no grounding or signal traces are contained. The keep out area applies to all layers of the host board. The recommended dimensions of the host PCB keep out area are shown in [Figure 5](#) (dimensions are in mm).

**Figure 5. Optional Additional Host PCB Keep Out Area Around the CYBT-013033-01 PCB Trace Antenna**

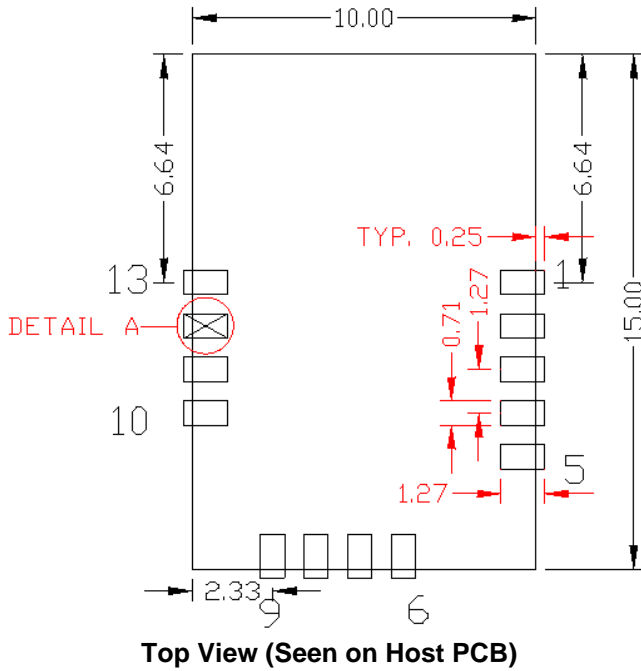


**Optional Host PCB Keep Out Area Around Chip Antenna**

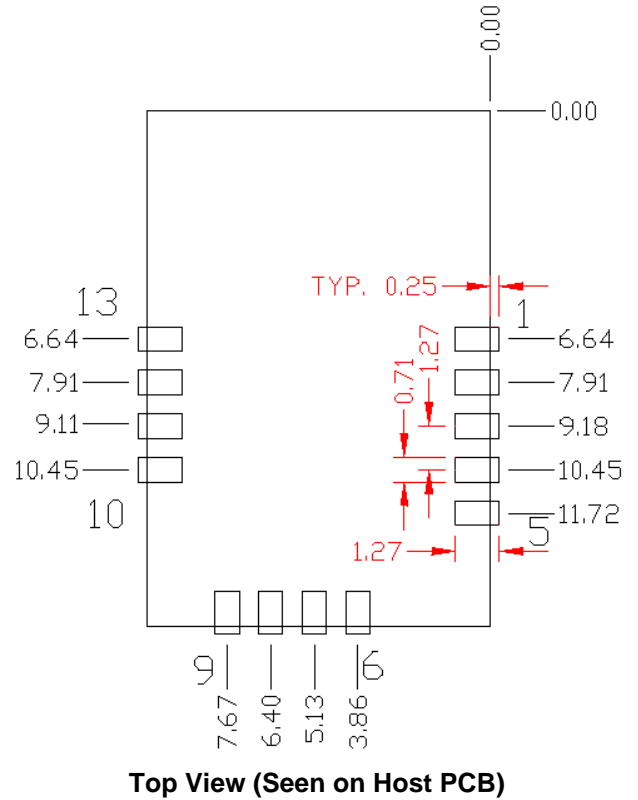
**Recommended Host PCB Layout**

Figure 6 (Dimensioned) and Figure 7 (Relative to Origin) provide the recommended host PCB layout pattern for the CYBT-013033-01. Pad length of 1.27 mm (0.655 mm from center of the pad on either side) shown in Figure 7 is the minimum recommended host pad length. All dimensions are in millimeters.

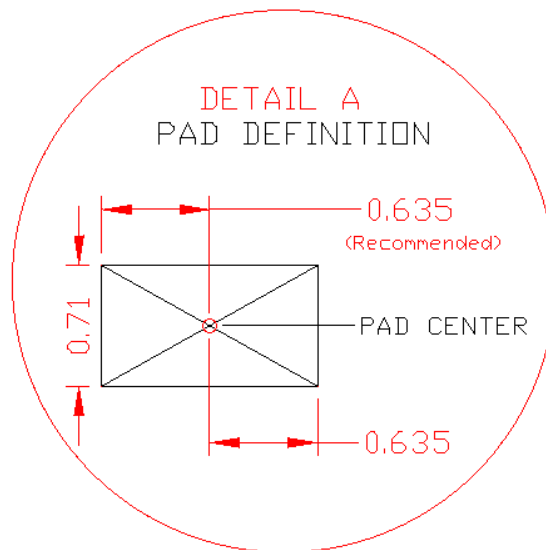
**Figure 6. CYBT-013033-01 Host Layout (Dimensioned)**



**Figure 7. CYBT-013033-01 Host Layout (Relative to Origin)**



**Figure 8. Solder Pad Reference Dimensions**



## Module Connections

Table 3 details the solder pad connection definitions and available functions for each connection pad. Table 3 lists the solder pads on the CYBT-013033-01, the silicon device pin, and denotes what functions are available for each solder pad. Table 3 also lists the primary/intended function for each solder pad for the application this module was specifically designed for.

**Table 3. Solder Pad Connection Definitions**

Pad Number	Silicon Device Pin	UART	BSC (I <sup>2</sup> C)	PWM	GPIO_WAKE	GPIO	Primary Function	
1	A6	External Reset Hardware Connection Input						External Reset (Active Low)
2	A8		✓(SCL)	✓(PWM3)		✓(P3, P29, or P35)	Apple SCL Interface	
3	C7		✓(SDA)	✓(PWM3)		✓(P12)	Apple SDA Interface	
4	F8				✓(BT_GPIO_0) <sup>[3]</sup>	✓(P36 or P38)	Device Wake Event Input	
5	F7	✓(PUART: RXD or TXD)			✓(BT_GPIO_1) <sup>[4]</sup>	✓(P25 or P32)	UART_TX Debug Host Wake Event Output NC/GPIO	
6	F5	✓(UART_RXD)					UART RXD	
7	G4	✓(UART_CTS)					UART CTS	
8	F4	✓(UART_TXD)					UART TXD	
9	F3	✓(UART_RTS)					UART RTS	
10	VDDIN	Power Supply Input (3.00 to 3.60V)						Power Supply Input
11	GND			GND			Ground Connection	
12	GND			GND			Ground Connection	
13	GND			GND			Ground Connection	

## Connections and Optional External Components

### Power Connections (VDDIN)

The CYBT-013033-01 contains one power supply connection, VDDIN.

VDDIN accepts a supply range of 3.00 V to 3.60 V. Table 10 provides this specification. The maximum power supply ripple for this power connection is 100 mV, as shown in Table 10.

### External Reset (XRES)

The CYBT-013033-01 has an integrated power-on reset circuit which completely resets all circuits to a known power on state. This action can also be driven by an external reset signal, which can be used to externally control the device, forcing it into a power-on reset state. The XRES signal is an active-low signal, which is an input to the CYBT-013033-01 module.

### UART Connections

For full UART functionality, all UART signals must be connected to the Host device. If full UART functionality is not being used, and only UART RXD and TXD are desired or capable, then the following connection considerations should be followed for UART RTS and CTS:

- UART RTS: Can be left floating, pulled low, or pulled high. RTS is not critical for initial firmware uploading at power on.
- UART CTS: Must be pulled low to bypass flow control and to ensure that continuous data transfers are made from the host to the module.

#### Notes

3. BT\_GPIO\_0/BT\_DEV\_WAKE is a signal from the host to the CYBT-013033-01 that the host requires attention.
4. BT\_GPIO\_1/BT\_HOST\_WAKE is a signal from the CYBT-013033-01 module to the host indicating that the Bluetooth device requires attention.

### External Component Recommendation

#### Power Supply Circuitry

It is not required to place any power supply decoupling or noise reduction circuitry on the host PCB. If desired, an external ferrite bead between the supply and the module connection can be included, but is not necessary. If used, the ferrite bead should be positioned as close as possible to the module pin connection.

If used, the recommended ferrite bead value is 330Ω, 100 MHz. (Murata BLM21PG331SN1D).

#### Apple MFi Authentication Coprocessor Interface

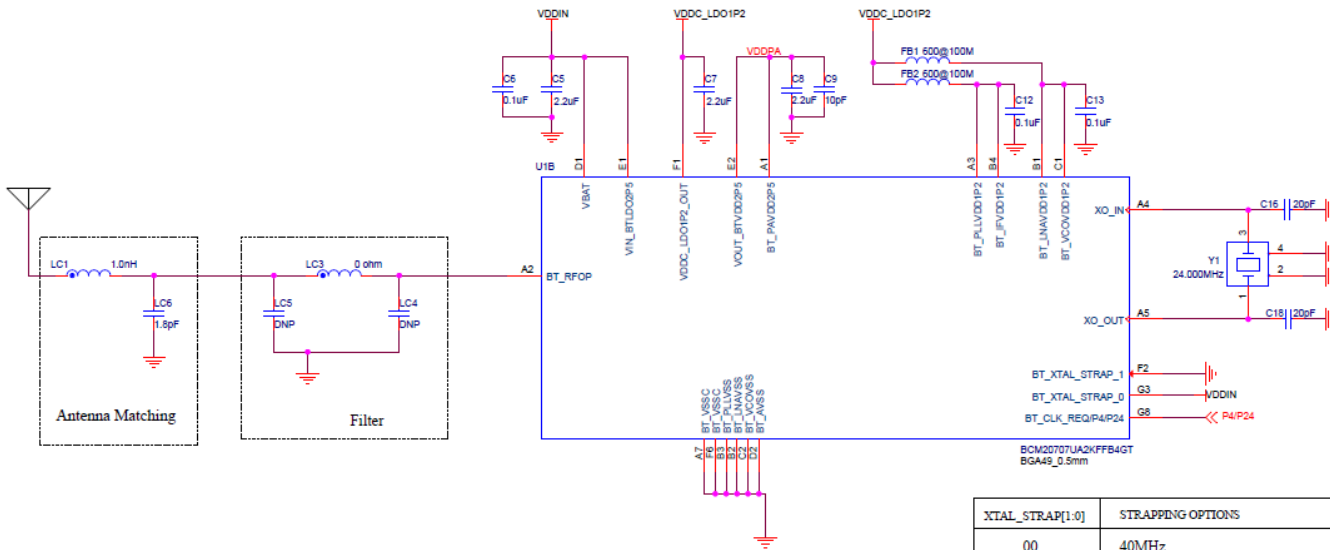
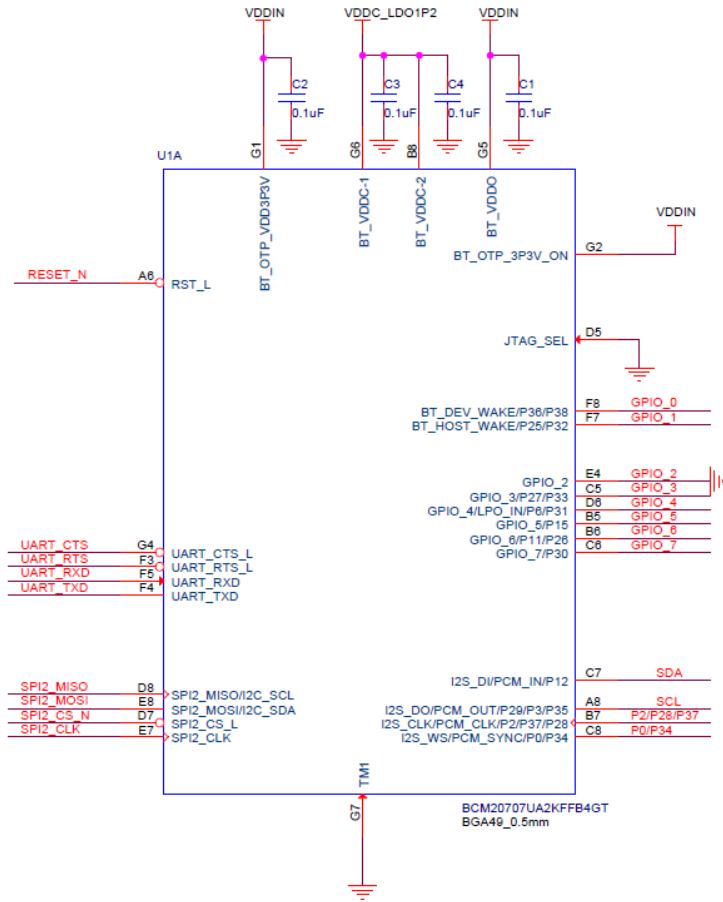
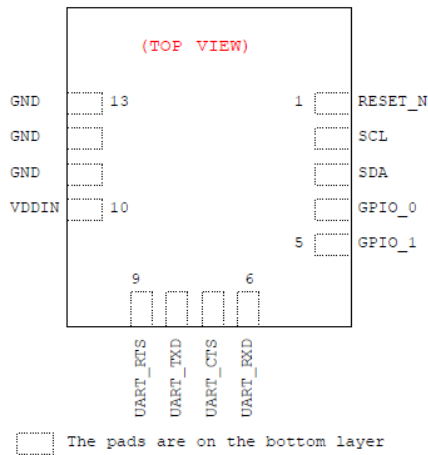
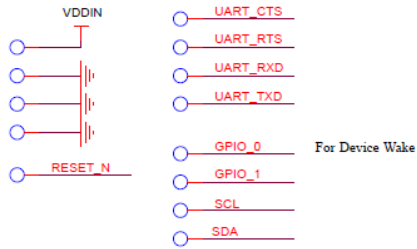
If solder pads 2 and 3 are used as the interface to the Apple MFi authentication coprocessor, 10 KΩ pull-up resistors should be placed between the MFi coprocessor and the Cypress module.



Figure 9 illustrates the CYBT-013033-01 schematic.

**Figure 9. CYBT-013033-01 Schematic Diagram**

**MODULE PAD ASSIGNMENT**



XTAL_STRAP[1:0]	STRAPPING OPTIONS
00	40MHz
01	24MHz (Default Configuration)
10	20MHz
11	Read from serial flash or EEPROM

## Critical Components List

Table 4 details the critical components used in the CYBT-013033-01 module.

**Table 4. Critical Component List**

Component	Reference Designator	Description
Silicon	U1	49-pin BGA Dual-Mode BT/BLE Silicon Device - BCM20707UA2KFFB4G
Crystal	Y1	24.000 MHz, 12PF

## Antenna Design

Table 5 details the PCB trace antenna used in the CYBT-013033-01 module.

**Table 5. Trace Antenna Specifications**

Item	Description
Frequency Range	2400 – 2500 MHz
Peak Gain	0.5 dBi typical
Return Loss	10 dB minimum

## Bluetooth Baseband Core

The Bluetooth Baseband Core (BBC) implements all of the time critical functions required for high-performance Bluetooth operation. The BBC manages the buffering, segmentation, and routing of data for all connections. It also buffers data that passes through it, handles data flow control, schedules SCO/ACL TX/RX transactions, monitors Bluetooth® slot usage, optimally segments and packages data into baseband packets, manages connection status indicators, and composes and decodes HCI packets. In addition to these functions, it independently handles HCI event types and HCI command types.

The following transmit and receive functions are also implemented in the BBC hardware to increase reliability and security of the TX/RX data before sending over the air:

Symbol timing recovery, data deframing, forward error correction (FEC), header error control (HEC), cyclic redundancy check (CRC), data decryption, and data dewatering in the receiver.

Data framing, FEC generation, HEC generation, CRC generation, key generation, data encryption, and data whitening in the transmitter.

## Bluetooth Low Energy

The CYBT-013033-01 supports dual-mode Bluetooth (BR/EDR/BLE) operation. The CYBT-013033-01 supports all Bluetooth 4.2 and legacy features, with the following benefits:

- Dual-mode Bluetooth (BR/EDR/BLE)
- Extended inquiry response (EIR): Shortens the time to retrieve the device name, specific profile, and operating mode.
- Encryption pause resume (EPR): Enables the use of Bluetooth® technology in a much more secure environment.
- Sniff subrating (SSR): Optimizes power consumption for low duty cycle asymmetric data flow, which subsequently extends battery life.
- Secure simple pairing (SSP): Reduces the number of steps for connecting two devices, with minimal or no user interaction required.
- Link supervision time out (LSTO): Additional commands added to HCI and Link Management Protocol (LMP) for improved link timeout supervision.
- Quality of Service (QoS) enhancements: Changes to data traffic control, which results in better link performance. Audio, human interface device (HID), bulk traffic, SCO, and enhanced SCO (eSCO) are improved with the erroneous data (ED) and packet boundary flag (PBF) enhancements.
- Secure connections (BR/EDR)
- Fast advertising interval
- Piconet clock adjust
- Connectionless broadcast
- LE privacy v1.1
- Low duty cycle directed advertising
- LE dual mode topology

## Link Control Layer

The link control layer is part of the Bluetooth link control functions that are implemented in dedicated logic in the link control unit (LCU). This layer consists of the command controller that takes commands from the software, and other controllers that are activated or configured by the command controller, to perform the link control tasks. Each task performs a different state in the Bluetooth® Link Controller.

- Major states:
  - Standby
  - Connection
- Substates:
  - Page
  - Page Scan
  - Inquiry
  - Inquiry Scan
  - Sniff

## Power Management Unit

The Power Management Unit (PMU) provides power management features that can be invoked through power management registers or packet handling in the baseband core. This section contains descriptions of the PMU features.

### RF Power Management

The BBC generates power-down control signals for the transmit path, receive path, PLL, and power amplifier to the 2.4 GHz transceiver. The transceiver then processes the power-down functions, accordingly.

### SoC Power Management

The host can place the device in a sleep state, in which all nonessential blocks are powered off and all nonessential clocks are disabled. Power to the digital core is maintained so that the state of the registers and RAM is not lost. In addition, the CYBT-013033-01 internal LPO clock is applied to the internal sleep controller so that the chip can wake automatically at a specified time or based on signaling from the host. The goal is to limit the current consumption to a minimum, while maintaining the ability to wake up and resume a connection with minimal latency.

If a scan or sniff session is enabled while the device is in Sleep mode, the device automatically will wake up for the scan/sniff event, then go back to sleep when the event is done. In this case, the device uses its internal LPO-based timers to trigger the periodic wake up. While in Sleep mode, the transports are idle. However, the device can wake up at any time. If signaled to wake up while a scan or sniff session is in progress, the session continues but the device will not sleep between scan/sniff events. Once Sleep mode is enabled, the wake signaling mechanism can also be thought of as a sleep signaling mechanism, since removing the wake status will often cause the device to sleep.

In addition to a Bluetooth device wake signaling mechanism, there is a host wake signaling mechanism. This feature provides a way for the Bluetooth device to wake up a host that is in a reduced power state.

Table 6 and Table 7 describe the mechanism available for the device and the host to signal a wake status to each other.

**Table 6. Mechanism for Device and Host to Signal Wake Status**

Bluetooth device WAKE (BT_DEV_WAKE - Pad 4) and Host WAKE (and BT_HOST_WAKE - Pad 5) signaling	The BT_DEV_WAKE signal allows the host to wake the BT device, and BT_HOST_WAKE is an output that allows the BT device to wake the host.
--	---

**Table 7. Power Control Pad Summary**

Pin Name (Pad Number)	Direction	Description
BT_DEV_WAKE (Pad 4)	Host output BT input	Bluetooth device wake-up: Signal from the host to the Bluetooth device that the host requires attention. <ul style="list-style-type: none"> <li>■ Asserted = Bluetooth device must wake up or remain awake.</li> <li>■ Deasserted = Bluetooth device may sleep when sleep criteria are met.</li> </ul> The polarity of this signal is software configurable and can be asserted high or low. By default, BT_DEV_WAKE is active-low (if BT-WAKE is low it requires the device to wake up or remain awake).
BT_HOST_WAKE (Pad 5)	BT output Host input	Host wake-up. Signal from the Bluetooth device to the host indicating that Bluetooth device requires attention. <ul style="list-style-type: none"> <li>■ Asserted = Host device must wake up or remain awake.</li> <li>■ Deasserted = Host device may sleep when sleep criteria are met.</li> </ul> The polarity of this signal is software configurable and can be asserted high or low.
XRES (Pad 1)	BT input	Used to place the chip in reset. XRES is active-low.

### Bluetooth Baseband Core Power Management

The following are low-power operations for the Bluetooth Baseband Core (BBC):

- Physical layer packet-handling turns the RF on and off dynamically within transmit/receive packets.
- Bluetooth-specified low-power connection modes: sniff, hold, and park. While in these modes, the CYBT-013033-01 runs on the low-power oscillator and wakes up after a predefined time period.

## **Adaptive Frequency Hopping**

The CYBT-013033-01 supports host channel classification and dynamic channel classification Adaptive Frequency Hopping (AFH) schemes, as defined in the Bluetooth specification.

Host channel classification enables the host to set a predefined hopping map for the device to follow.

If dynamic channel classification is enabled, the device gathers link quality statistics on a channel-by-channel basis to facilitate channel assessment and channel map selection. To provide a more accurate frequency hop map, link quality is determined using both RF and baseband signal processing.

## Microprocessor Unit

### Overview

The CYBT-013033-01 microprocessor unit runs software from the Link Control (LC) layer up to the stack and Application layer. In the HCI mode of operation the stack will be run on the external host. The microprocessor is based on the Cortex-M3 32-bit RISC processor with embedded ICE-RT debug and JTAG interface units. The microprocessor also includes 848 KB of ROM memory for program storage and boot ROM, 352 KB of RAM for data scratch-pad, and patch RAM code.

The internal boot ROM provides flexibility during power-on reset to enable the same device to be used in various configurations, including automatic host transport selection from UART transport without external NVRAM. At power-up, the lower layer protocol stack is executed from the internal ROM.

External patches can be applied to the ROM-based firmware to provide flexibility for bug fixes and features additions. These patches can be downloaded from the host to the device through the UART transport.

### One-Time Programmable Memory

The CYBT-013033-01 includes a One-Time Programmable (OTP) memory, allowing manufacturing customization and avoiding the need for an on-board NVRAM. If customization is not required, then the OTP does not need to be programmed. Whether the OTP is programmed or not, it is disabled after the boot process completes to save power.

The OTP size is 2048 bytes.

The OTP is designed to store a minimal amount of information. Aside from OTP data, most user configuration information will be downloaded into RAM after the CYBT-013033-01 boots up and is ready for host transport communication. The OTP contents are limited to:

- Parameters required prior to downloading user configuration to RAM.
- Parameters unique to each part and each customer (i.e., the BD\_ADDR, and software license key).

The following are typical parameters programmed into the OTP memory:

- BD\_ADDR
- Software license key
- Output power calibration
- Frequency trimming
- Initial status LED drive configuration

The OTP contents also include a static error correction table to improve yield during the programming process as well as forward error correction codes to eliminate any long-term reliability problems. The OTP contents associated with error correction are not visible by customers.

## Peripheral Transport Unit

This section discusses the UART peripheral interface. The CYBT-013033-01 has a 1040-byte transmit and receive FIFO, which is large enough to hold the entire payload of the largest EDR Bluetooth packet (3-DH5).

### HCI Transport Detection Configuration

**Note:** HCI transport detection is only valid for the HCI operating mode.

The CYBT-013033-01 supports the following interface types for the HCI transport from the host:

- UART (H4)

Only one host interface can be active at a time. The firmware performs a transport detect function at boot-time to determine which host is the active transport. It can auto-detect UART interfaces, but the SPI interface must be selected by strapping the SCL pin to 0.

- The complete algorithm is summarized as follows:
  - Determine if any local NVRAM contains a valid configuration file. If it does and a transport configuration entry is present, select the active transport according to entry, and then exit the transport detection routine.
  - Look for CTS\_N = 0 on the UART interface. If it is present, select UART.
  - Repeat Step 2 and Step 3 until transport is determined.

**UART Interface**

The CYBT-013033-01 shares a single UART for Bluetooth. The UART is a standard 4-wire interface (RX, TX, RTS, and CTS) with adjustable baud rates from 9600 bps to 4.0 Mbps. The interface features an automatic baud rate detection capability that returns a baud rate selection. Alternatively, the baud rate may be selected through a vendor-specific UART HCI command.

UART has a 1040-byte receive FIFO and a 1040-byte transmit FIFO to support EDR. Access to the FIFOs is conducted through the AHB interface through either DMA or the CPU. The UART supports the Bluetooth 4.2 UART HCI specification: H4, and a custom Extended H4. The default baud rate is 115.2 Kbaud.

The CYBT-013033-01 UART can perform XON/XOFF flow control and includes hardware support for the Serial Line Input Protocol (SLIP). It can also perform wake-on activity. For example, activity on the RX or CTS inputs can wake the chip from a sleep state.

Normally, the UART baud rate is set by a configuration record downloaded after device reset, or by automatic baud rate detection, and the host does not need to adjust the baud rate. Support for changing the baud rate during normal HCI UART operation is included through a vendor-specific command that allows the host to adjust the contents of the baud rate registers. The CYBT-013033-01 UARTs operate correctly with the host UART as long as the combined baud rate error of the two devices is within  $\pm 2\%$ .

**Table 8. Example of Common Baud Rates**

Desired Rate	Actual Rate	Error (%)
4000000	4000000	0.00
3692000	3692308	0.01
3000000	3000000	0.00
2000000	2000000	0.00
1500000	1500000	0.00
1444444	1454544	0.70
921600	923077	0.16
460800	461538	0.16
230400	230796	0.17
115200	115385	0.16
57600	57692	0.16
38400	38400	0.00
28800	28846	0.16
19200	19200	0.00
14400	14423	0.16
9600	9600	0.00

## Electrical Characteristics

**Note:** All voltages listed in Table 9 are referenced to  $V_{DDIN}$ .

**Table 9. Absolute Maximum Voltage**

Requirement Parameter	Specification			Units
	Minimum	Nominal	Maximum	
Ambient Temperature of Operation	-30	25	85	°C
Storage temperature	-40	-	150	°C
VDD Core	1.14	1.2	1.26	V
VDD IO	3	3.3	3.6	V
VDD RF (excluding class 1 PA)	1.14	1.2	1.26	V
VDD PA (class 1 mode)	2.25	2.5	2.75	V

**Table 10. Power Supply Specifications**

Parameter	Min.	Typ.	Max.	Units	Comments
VDDIN input	3.0	3.3	3.6	V	-
VDDIN_Ripple	-	-	100	mV	3.0V supply Ripple frequency of 100 kHz to 750 kHz
VBAT input	3.0	3.3	3.6	V	Internally routed on CYBT-013033-01 module
2.5V LDO input	3.0	3.3	3.6	V	Internally routed on CYBT-013033-01 module

**Table 11. VDDC LDO Electrical Specifications**

Parameter	Conditions	Min.	Typ.	Max.	Units	
Input Voltage	-	1.62	3.3	3.6	V	
Nominal Output Voltage	-	-	1.2	-	V	
DC Accuracy	Accuracy at any step, including bandgap reference.	-5	-	5	%	
Output Voltage Programmability	Range	0.89	-	1.34	V	
	Step Size	-	30	-	mV	
Load Current	-	-	-	40	mA	
Dropout Voltage	$I_{load} = 40$ mA	-	-	200	mV	
Line Regulation	$V_{in}$ from 1.62V to 3.6V, $I_{load} = 40$ mA	-	-	0.2	% $V_o/V$	
Load Regulation	$I_{load} = 1$ mA to 40 mA, $V_{out} = 1.2$ V, Package + PCB $R = 0.3$ W	-	0.02	0.05	% $V_o/mA$	
Quiescent Current	No load @ $V_{in} = 3.3$ V	-	18	23	$\mu$ A	
	Max load @ $V_{in} = 3.3$ V	-	-	0.56 0.65	mA	
Power Down Current	$V_{in} = 3.3$ V @25C	-	0.2	-	$\mu$ A	
PSRR	$V_{in} = 3.3$ , $V_{out} = 1.2$ V, $I_{load} = 40$ mA	1 kHz	65	-	-	dB
		10 kHz	60	-	-	dB
		100 kHz	55	-	-	dB
Over Current Limit	-	100	-	-	mA	
Turn-on Time	VBAT = 3.3V, BG already on, LDO OFF to ON, $C_o = 1$ $\mu$ F, 90% of $V_{out}$	-	-	100	$\mu$ s	



**Table 11. VDDC LDO Electrical Specifications (continued)**

Parameter	Conditions	Min.	Typ.	Max.	Units
External Output Capacitor	Ceramic cap with ESR $\leq 0.5\Omega$	0.8	1	4.7	$\mu\text{F}$
External Input Capacitor	Ceramic, X5R, 0402, $\pm 20\%$ , 10V.	–	1	–	$\mu\text{F}$
Turn-on Time	VBAT = 3.3V, BG already on, LDO OFF to ON, Co = 1 $\mu\text{F}$ , 90% of Vout	–	–	100	$\mu\text{s}$

**Table 12. BTLDO\_2P5 Electrical Specifications**

Parameters	Conditions	Min	Typ	Max	Units
Input supply voltage, Vin	Min = Vo + 0.2V = 2.7V (for Vo = 2.5V) Dropout voltage requirement must be met under maximum load for performance specs.	3.0	3.3	3.6	V
Nominal output voltage, Vo	Default = 2.5V	–	2.5	–	V
Output voltage programmability	Range Accuracy at any step (including line/load regulation), load >0.1 mA	2.2 –5	–	2.8 5	V %
Dropout voltage	At max load	–	–	200	mV
Output current	–	0.1	–	70	mA
Quiescent current	No load; Vin = Vo + 0.2V Max load @ 70 mA; Vin = Vo + 0.2V	–	8 660	16 700	$\mu\text{A}$
Leakage current	Power-down mode. At junction temperature 85°C.	–	1.5	5	$\mu\text{A}$
Line regulation	Vin from (Vo + 0.2V) to 3.6V, max load	–	–	3.5	mV/V
Load regulation	Load from 1 mA to 70 mA, Vin = 3.6V	–	–	0.3	mV/mA
PSRR	Vin $\geq$ Vo + 0.2V, Vo = 2.5V, Co = 2.2 $\mu\text{F}$ , max load, 100 Hz to 100 kHz	20	–	–	dB
LDO turn-on time	LDO turn-on time when rest of chip is up	–	–	150	$\mu\text{s}$

**Table 13. Digital I/O Characteristics**

Characteristics	Symbol	Minimum	Typical	Maximum	Unit
Input low voltage (VDDIN = 3.3V)	V <sub>IL</sub>	–	–	0.8	V
Input high voltage (VDDIN = 3.3V)	V <sub>IH</sub>	2.0	–	–	V
Output low voltage	V <sub>OL</sub>	–	–	0.4	V
Output high voltage	V <sub>OH</sub>	VDDIN – 0.4V	–	–	V
Input low current	I <sub>IL</sub>	–	–	1.0	$\mu\text{A}$
Input high current	I <sub>IH</sub>	–	–	1.0	$\mu\text{A}$
Output low current (VDDIN = 3.3V, V <sub>OL</sub> = 0.4V)	I <sub>OL</sub>	–	–	2.0	mA
Output high current (VDDIN = 3.3V, V <sub>OH</sub> = 2.9V)	I <sub>OH</sub>	–	–	4.0	mA
Input capacitance	C <sub>IN</sub>	–	–	0.4	pF

**Table 14. Current Consumption — Common Use Cases**

Condition	Current (mA)
Receive (1 Mbps) current level when receiving a basic rate packet.	12.5
Transmit (1 Mbps) current level when transmitting a basic rate packet.	26.5
Receive (EDR) current level when receiving a 2 or 3 Mbps rate packet.	12.5
Transmit (EDR) current level when transmitting a 2 or 3 Mbps rate packet.	20.0
DM1/DH1 average current during a basic rate maximum throughput connection that includes only this packet type.	14.5
DM3/DH3 average current during a basic rate maximum throughput connection that includes only this packet type.	17.0
DM5/DH5 average current during a maximum basic rate throughput connection that includes only this packet type.	17.5
Sleep UART transport active. External LPO clock available.	0.120
Inquiry Scan (1.28 sec.). Periodic scan rate is 1.28 sec.	0.188
Page Scan (R1) Periodic scan rate is R1 (1.28 sec).	0.188
Inquiry Scan + Page Scan (R1) Both inquiry and page scans are interlaced together at a 1.28 seconds periodic scan rate.	0.286
Sniff master (500 ms) attempt and timeout parameters set to 4. Quality connection that rarely requires more than a minimum packet exchange.	0.415
Sniff slave (500 ms) attempt and timeout parameters set to 4. Quality connection that rarely requires more than a minimum packet exchange.	0.408
Sniff (500 ms) + Inquiry or Page Scan (R1)	0.700
Sniff (500ms) + Inquiry Scan + Page Scan (R1)	0.800

**RF Specifications**

**Table 15. Receiver RF Specifications<sup>[5, 6]</sup>**

Parameter	Conditions	Minimum	Typical <sup>[7]</sup>	Maximum	Unit
<b>General</b>					
Frequency range	–	2402	–	2480	MHz
RX sensitivity <sup>[8]</sup>	GFSK, 0.1% BER, 1 Mbps	–	–93.5	–	dBm
	p/4-DQPSK, 0.01% BER, 2 Mbps	–	–95.5	–	dBm
	8-DPSK, 0.01% BER, 3 Mbps	–	–89.5	–	dBm
Maximum input	GFSK, 1 Mbps	–	–	–20	dBm
Maximum input	p/4-DQPSK, 8-DPSK, 2/3 Mbps	–	–	–20	dBm
<b>Interference Performance</b>					
<b>■ GFSK Modulation<sup>[9]</sup></b>					
C/I cochannel	GFSK, 0.1% BER	–	9.5	11	dB
C/I 1 MHz adjacent channel	GFSK, 0.1% BER	–	–5	0	dB
C/I 2 MHz adjacent channel	GFSK, 0.1% BER	–	–40	–30.0	dB
C/I ≥ 3 MHz adjacent channel	GFSK, 0.1% BER	–	–49	–40.0	dB
C/I image channel	GFSK, 0.1% BER	–	–27	–9.0	dB
C/I 1 MHz adjacent to image channel	GFSK, 0.1% BER	–	–37	–20.0	dB
<b>■ QPSK Modulation<sup>[10]</sup></b>					
C/I cochannel	p/4-DQPSK, 0.1% BER	–	11	13	dB
C/I 1 MHz adjacent channel	p/4-DQPSK, 0.1% BER	–	–8	0	dB
C/I 2 MHz adjacent channel	p/4-DQPSK, 0.1% BER	–	–40	–30.0	dB
C/I ≥ 3 MHz adjacent channel	8-DPSK, 0.1% BER	–	–50	–40.0	dB
C/I image channel	p/4-DQPSK, 0.1% BER	–	–27	–7.0	dB
C/I 1 MHz adjacent to image channel	p/4-DQPSK, 0.1% BER	–	–40	–20.0	dB
<b>■ 8PSK Modulation<sup>[11]</sup></b>					
C/I cochannel	8-DPSK, 0.1% BER	–	17	21	dB
C/I 1 MHz adjacent channel	8-DPSK, 0.1% BER	–	–5	5	dB
C/I 2 MHz adjacent channel	8-DPSK, 0.1% BER	–	–40	–25.0	dB
C/I ≥ 3 MHz adjacent channel	8-DPSK, 0.1% BER	–	–47	–33.0	dB
C/I Image channel	8-DPSK, 0.1% BER	–	–20	0	dB
C/I 1 MHz adjacent to image channel	8-DPSK, 0.1% BER	–	–35	–13.0	dB

**Notes**

5. All specifications are single ended. Unused inputs are left open.
6. All specifications, except typical, are for industrial temperatures.
7. Typical operating conditions are 3.3V VBAT and 25°C ambient temperature.
8. The receiver sensitivity is measured at BER of 0.1% on the device interface.
9. Typical GFSK CI numbers at –7 MHz, –5 MHz, and –3 MHz are –45 dB, –42 dB, and –41 dB, respectively.
10. Typical QPSK CI numbers at –7 MHz, –5 MHz, and –3 MHz are –46 dB, –43 dB, and –42 dB, respectively.
11. Typical 8PSK CI numbers at –7 MHz, –5 MHz, and –3 MHz are –50 dB, –45 dB, and –45 dB, respectively.
12. Meets this specification using front-end band pass filter.
13. Numbers are referred to the pin output with an external BPF filter.
14. f0 = –64 dBm Bluetooth-modulated signal, f1 = –39 dBm sine wave, f2 = –39 dBm Bluetooth-modulated signal, f0 = 2f1 – f2, and |f2 – f1| = n \* 1 MHz, where “n” is 3, 4, or 5. For the typical case, n = 4.
15. Includes baseband radiated emissions.

**Table 15. Receiver RF Specifications<sup>[5, 6]</sup> (continued)**

Parameter	Conditions	Minimum	Typical <sup>[7]</sup>	Maximum	Unit
<b>Out-of-Band Blocking Performance (CW)<sup>[12]</sup></b>					
30 MHz–2000 MHz	0.1% BER	–	–10.0	–	dBm
2000–2399 MHz	0.1% BER	–	–27	–	dBm
2498–3000 MHz	0.1% BER	–	–27	–	dBm
3000 MHz–12.75 GHz	0.1% BER	–	–10.0	–	dBm
<b>Out-of-Band Blocking Performance, Modulated Interferer</b>					
776–764 MHz	CDMA	–	–10 <sup>[13]</sup>	–	dBm
824–849 MHz	CDMA	–	–10 <sup>[13]</sup>	–	dBm
1850–1910 MHz	CDMA	–	–23 <sup>[13]</sup>	–	dBm
824–849 MHz	EDGE/GSM	–	–10 <sup>[13]</sup>	–	dBm
880–915 MHz	EDGE/GSM	–	–10 <sup>[13]</sup>	–	dBm
1710–1785 MHz	EDGE/GSM	–	–23 <sup>[13]</sup>	–	dBm
1850–1910 MHz	EDGE/GSM	–	–23 <sup>[13]</sup>	–	dBm
1850–1910 MHz	WCDMA	–	–23 <sup>[13]</sup>	–	dBm
1920–1980 MHz	WCDMA	–	–23 <sup>[13]</sup>	–	dBm
<b>Intermodulation Performance<sup>[14]</sup></b>					
BT, Df = 4 MHz	–	–39.0	–	–	dBm
<b>Spurious Emissions<sup>[15]</sup></b>					
30 MHz to 1 GHz	–	–	–	–62	dBm
1–12.75 GHz	–	–	–	–47	dBm
65–108 MHz	FM RX	–	–147	–	dBm/Hz
746–764 MHz	CDMA	–	–147	–	dBm/Hz
851–894 MHz	CDMA	–	–147	–	dBm/Hz
925–960 MHz	EDGE/GSM	–	–147	–	dBm/Hz
1805–1880 MHz	EDGE/GSM	–	–147	–	dBm/Hz
1930–1990 MHz	PCS	–	–147	–	dBm/Hz
2110–2170 MHz	WCDMA	–	–147	–	dBm/Hz

**Notes**

5. All specifications are single ended. Unused inputs are left open.
6. All specifications, except typical, are for industrial temperatures.
7. Typical operating conditions are 3.3V VBAT and 25°C ambient temperature.
8. The receiver sensitivity is measured at BER of 0.1% on the device interface.
9. Typical GFSK CI numbers at –7 MHz, –5 MHz, and –3 MHz are –45 dB, –42 dB, and –41 dB, respectively.
10. Typical QPSK CI numbers at –7 MHz, –5 MHz, and –3 MHz are –46 dB, –43 dB, and –42 dB, respectively.
11. Typical 8PSK CI numbers at –7 MHz, –5 MHz, and –3 MHz are –50 dB, –45 dB, and –45 dB, respectively.
12. Meets this specification using front-end band pass filter.
13. Numbers are referred to the pin output with an external BPF filter.
14. f0 = -64 dBm Bluetooth-modulated signal, f1 = -39 dBm sine wave, f2 = -39 dBm Bluetooth-modulated signal, f0 = 2f1 – f2, and |f2 – f1| = n \* 1 MHz, where “n” is 3, 4, or 5. For the typical case, n = 4.
15. Includes baseband radiated emissions.

**Table 16. Transmitter RF Specifications<sup>[16,17]</sup>**

Parameter	Conditions	Minimum	Typical	Maximum	Unit
<b>General</b>					
Frequency range	–	2402	–	2480	MHz
Class1: GFSK TX power <sup>[18]</sup>	–	–	12	–	dBm
Class1: EDR TX power <sup>[19]</sup>	–	–	9	–	dBm
Class 2: GFSK TX power	–	–	2	–	dBm
Power control step	–	2	4	8	dB
<b>Modulation Accuracy</b>					
p/4-DQPSK Frequency Stability	–	–10	–	10	kHz
p/4-DQPSK RMS DEVM	–	–	–	20	%
p/4-QPSK Peak DEVM	–	–	–	35	%
p/4-DQPSK 99% DEVM	–	–	–	30	%
8-DPSK frequency stability	–	–10	–	10	kHz
8-DPSK RMS DEVM	–	–	–	13	%
8-DPSK Peak DEVM	–	–	–	25	%
8-DPSK 99% DEVM	–	–	–	20	%
<b>In-Band Spurious Emissions</b>					
1.0 MHz <  M – N  < 1.5 MHz	–	–	–	–26	dBc
1.5 MHz <  M – N  < 2.5 MHz	–	–	–	–20	dBm
M – N  ≥ 2.5 MHz	–	–	–	–40	dBm
<b>Out-of-Band Spurious Emissions</b>					
30 MHz to 1 GHz	–	–	–	–36.0 <sup>[20]</sup>	dBm
1–12.75 GHz	–	–	–	–30.0 <sup>[20,21]</sup>	dBm
1.8–1.9 GHz	–	–	–	–47.0	dBm
5.15–5.3 GHz	–	–	–	–47.0	dBm
<b>GPS Band Noise Emission (without a front-end band pass filter)</b>					
1572.92 MHz to 1577.92 MHz	–	–	–150	–127	dBm/Hz
<b>Out-of-Band Noise Emissions (without a front-end band pass filter)</b>					
65–108 MHz	FM RX	–	–145	–	dBm/Hz
746–764 MHz	CDMA	–	–145	–	dBm/Hz
869–960 MHz	CDMA	–	–145	–	dBm/Hz
925–960 MHz	EDGE/GSM	–	–145	–	dBm/Hz
1805–1880 MHz	EDGE/GSM	–	–145	–	dBm/Hz
1930–1990 MHz	PCS	–	–145	–	dBm/Hz
2110–2170 MHz	WCDMA	–	–140	–	dBm/Hz

**Notes**

- 16. All specifications are for industrial temperatures.
- 17. All specifications are single-ended. Unused input are left open.
- 18. +12 dBm output for GFSK measured with PA VDD = 2.5V.
- 19. +9 dBm output for EDR measured with PA VDD = 2.5V.
- 20. Maximum value is the value required for Bluetooth qualification.
- 21. Meets this spec using a front-end bandpass filter.

**Table 17. BLE RF Specifications**

Parameter	Conditions	Minimum	Typical	Maximum	Unit
Frequency Range	NA	2402	–	2480	MHz
RX Sense <sup>[22]</sup>	GFSK, 0.1% BER, 1 Mbps	–	–96.5	–	dBm
TX Power <sup>[23]</sup>	NA	–	9	–	dBm
Mod Char: Delta F1 average	NA	225	255	275	kHz
Mod Char: Delta F2 max <sup>[24]</sup>	NA	99.9	–	–	%
Mod Char: Ratio	NA	0.8	0.95	–	%

**Timing and AC Characteristics**

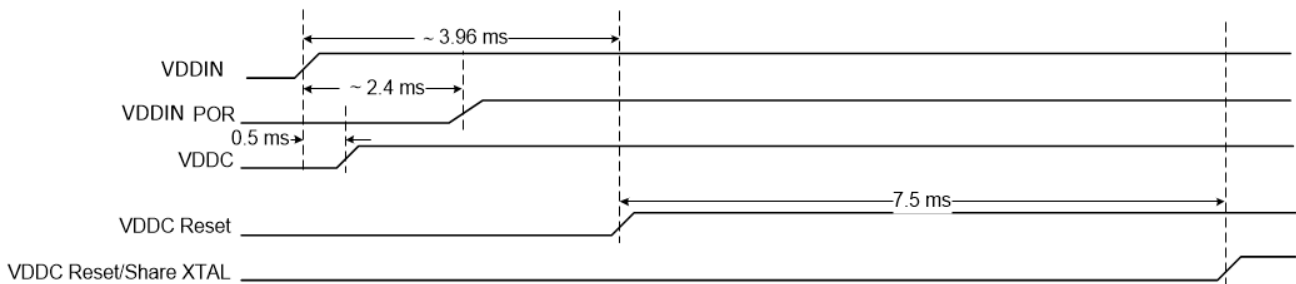
In this section, use the numbers listed in the reference column to interpret the timing diagrams.

*System Startup Timing*

The global reset signal in the CYBT-013033-01 is a logical OR (actually a wired AND, since the signals are active low) of the XRES input and the internal POR signals. The last signal to be released determines the time at which the chip is released from reset. The POR is typically asserted for 2.4 ms after the POR threshold is crossed.

Figure 10 illustrates the startup timing for the CYBT-013033-01.

**Figure 10. System Startup Timing**



*UART Timing*

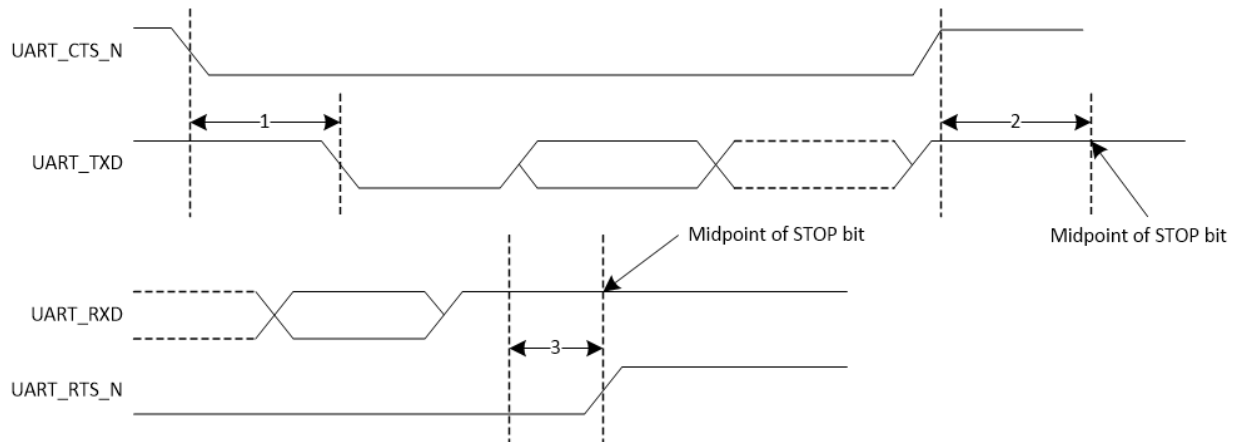
**Table 18. UART Timing Specifications**

Ref No.	Characteristics	Minimum	Typical	Maximum	Unit
1	Delay time UART_CTS_N low to UART TXD valid.	–	–	1.50	Bit periods
2	Setup time UART_CTS_N high before midpoint of stop bit.	–	–	0.67	Bit periods
3	Delay time Midpoint of stop bit to UART_RTS_N high.	–	–	1.33	Bit periods

**Notes**

- 22. Dirty TX is Off.
- 23. The BLE TX power can be increased to compensate for front-end losses such as BPF, diplexer, switch, etc. The output is capped at 12 dBm out. The BLE TX power at the antenna port cannot exceed the 10 dBm EIRP specification limit.
- 24. At least 99.9% of all delta F2 max frequency values recorded over 10 packets must be greater than 185 kHz.

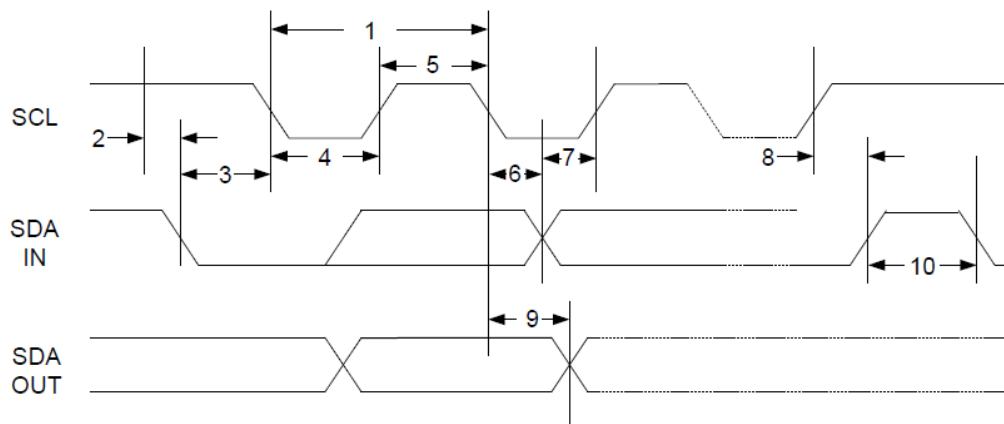
**Figure 11. UART Timing**



**BSC Interface Timing**

The timing intervals displayed in Figure 12 can be referenced in Table 19.

**Figure 12. BSC Interface Timing Diagram**



**Table 19. BSC Interface Timing Specifications**

Reference	Characteristics	Minimum	Maximum	Unit
1	Clock frequency	–	100 400 800 1000	kHz
2	START condition setup time	650	–	ns
3	START condition hold time	280	–	ns
4	Clock low time	650	–	ns
5	Clock high time	280	–	ns
6	Data input hold time <sup>[25]</sup>	0	–	ns
7	Data input setup time	100	–	ns
8	STOP condition setup time	280	–	ns
9	Output valid from clock	–	400	ns
10	Bus free time <sup>[26]</sup>	650	–	ns

**Notes**

25. As a transmitter, 300 ns of delay is provided to bridge the undefined region of the falling edge of SCL to avoid unintended generation of START or STOP conditions  
 26. Time that the cbus must be free before a new transaction can start.

## Environmental Specifications

### Environmental Compliance

This Cypress BLE module is produced in compliance with the Restriction of Hazardous Substances (RoHS) directive. The Cypress module and components used to produce this module are RoHS compliant.

### RF Certification

The CYBT-013033-01 module is certified under the following RF certification standards:

- FCC: WAP3033
- CE
- IC: 7922A-3033
- MIC: TBD

### Safety Certification

The CYBT-013033-01 module complies with the following safety regulations:

- Underwriters Laboratories, Inc. (UL): Filing E331901
- CSA
- TUV

### Environmental Conditions

Table describes the operating and storage conditions for the Cypress BLE module.

**Table 20. Environmental Conditions for CYBT-013033-01**

Description	Minimum Specification	Maximum Specification
Operating temperature	-30 °C	85 °C
Operating humidity (relative, non-condensation)	5%	85%
Thermal ramp rate	–	3 °C/minute
Storage temperature	-30 °C	85 °C
Storage temperature and humidity	–	85 °C at 85%
ESD: Module integrated into system Components <sup>[27]</sup>	–	15 kV Air 2.0 kV Contact

### ESD and EMI Protection

Exposed components require special attention to ESD and electromagnetic interference (EMI).

A grounded conductive layer inside the device enclosure is suggested for EMI and ESD performance. Any openings in the enclosure near the module should be surrounded by a grounded conductive layer to provide ESD protection and a low-impedance path to ground.

**Device Handling:** Proper ESD protocol must be followed in manufacturing to ensure component reliability.

**Note**

27. This does not apply to the RF pins (ANT).



## Regulatory Information

### FCC

#### FCC NOTICE:

The device CYBT-013033-01 complies with Part 15 of the FCC Rules. The device meets the requirements for modular transmitter approval as detailed in FCC public Notice DA00-1407. transmitter Operation is subject to the following two conditions: (1) This device may not cause harmful interference, and (2) This device must accept any interference received, including interference that may cause undesired operation.

#### CAUTION:

The FCC requires the user to be notified that any changes or modifications made to this device that are not expressly approved by Cypress Semiconductor may void the user's authority to operate the equipment.

This equipment has been tested and found to comply with the limits for a Class B digital device, pursuant to Part 15 of the FCC Rules. These limits are designed to provide reasonable protection against harmful interference in a residential installation. This equipment generates uses and can radiate radio frequency energy and, if not installed and used in accordance with the instructions, may cause harmful interference to radio communications. However, there is no guarantee that interference will not occur in a particular installation. If this equipment does cause harmful interference to radio or television reception, which can be determined by turning the equipment off and on, the user is encouraged to try to correct the interference by one or more of the following measures:

- Reorient or relocate the receiving antenna.
- Increase the separation between the equipment and receiver.
- Connect the equipment into an outlet on a circuit different from that to which the receiver is connected.
- Consult the dealer or an experienced radio/TV technician for help

#### LABELING REQUIREMENTS:

The Original Equipment Manufacturer (OEM) must ensure that FCC labelling requirements are met. This includes a clearly visible label on the outside of the OEM enclosure specifying the appropriate Cypress Semiconductor FCC identifier for this product as well as the FCC Notice above. The FCC identifier is FCC ID: **WAP3033**

In any case the end product must be labeled exterior with "Contains FCC ID: **WAP3033**"

#### ANTENNA WARNING:

This device is tested with a standard SMA connector and with the antennas listed below. When integrated in the OEMs product, these fixed antennas require installation preventing end-users from replacing them with non-approved antennas. Any antenna not in the following table must be tested to comply with FCC Section 15.203 for unique antenna connectors and Section 15.247 for emissions.

#### RF EXPOSURE:

To comply with FCC RF Exposure requirements, the Original Equipment Manufacturer (OEM) must ensure to install the approved antenna in the previous.

The preceding statement must be included as a CAUTION statement in manuals, for products operating with the approved antennas in [Table 5](#) on page 10, to alert users on FCC RF Exposure compliance. Any notification to the end user of installation or removal instructions about the integrated radio module is not allowed.

The radiated output power of CYBT-013033-01 with the chip antenna mounted (FCC ID: **WAP3033** ) is far below the FCC radio frequency exposure limits. Nevertheless, use CYBT-013033-01 in such a manner that minimizes the potential for human contact during normal operation.

End users may not be provided with the module installation instructions. OEM integrators and end users must be provided with transmitter operating conditions for satisfying RF exposure compliance.

## Industry Canada (IC) Certification

CYBT-013033-01 is licensed to meet the regulatory requirements of Industry Canada (IC),

License: IC: **7922A-3033**

Manufacturers of mobile, fixed or portable devices incorporating this module are advised to clarify any regulatory questions and ensure compliance for SAR and/or RF exposure limits. Users can obtain Canadian information on RF exposure and compliance from [www.ic.gc.ca](http://www.ic.gc.ca).

This device has been designed to operate with the antennas listed in [Table 5](#) on page 10, having a maximum gain of 0.5 dBi. Antennas not included in this list or having a gain greater than 0.5 dBi are strictly prohibited for use with this device. The required antenna impedance is 50 ohms. The antenna used for this transmitter must not be co-located or operating in conjunction with any other antenna or transmitter.

### IC NOTICE:

The device CYBT-013033-01 including the built-in trace antenna complies with Canada RSS-GEN Rules. The device meets the requirements for modular transmitter approval as detailed in RSS-GEN. Operation is subject to the following two conditions: (1) This device may not cause harmful interference, and (2) This device must accept any interference received, including interference that may cause undesired operation.

### IC RADIATION EXPOSURE STATEMENT FOR CANADA

This device complies with Industry Canada licence-exempt RSS standard(s). Operation is subject to the following two conditions: (1) this device may not cause interference, and (2) this device must accept any interference, including interference that may cause undesired operation of the device. SAR is not required for this module as long as the distance is higher than 15mm away from user since the maximum output power is below IC threshold.

Le présent appareil est conforme aux CNR d'Industrie Canada applicables aux appareils radio exempts de licence. L'exploitation est autorisée aux deux conditions suivantes : (1) l'appareil ne doit pas produire de brouillage, et (2) l'utilisateur de l'appareil doit accepter tout brouillage radioélectrique subi, même si le brouillage est susceptible d'en compromettre le fonctionnement.

Le SAR n'est pas requis pour ce module tant que la distance est supérieure à 15 mm par rapport à l'utilisateur, car la puissance de sortie maximale est inférieure au seuil IC.

### LABELING REQUIREMENTS:

The Original Equipment Manufacturer (OEM) must ensure that IC labelling requirements are met. This includes a clearly visible label on the outside of the OEM enclosure specifying the appropriate Cypress Semiconductor IC identifier for this product as well as the IC Notice above. The IC identifier is **7922A-3033**

. In any case, the end product must be labeled in its exterior with "Contains IC: **7922A-3033**".

## European R&TTE Declaration of Conformity

Hereby, Cypress Semiconductor declares that the Bluetooth module CYBT-013033-01 complies with the essential requirements and other relevant provisions of Directive 1999/5/EC. As a result of the conformity assessment procedure described in Annex III of the Directive 1999/5/EC, the end-customer equipment should be labeled as follows:



All versions of the CYBT-013033-01 in the specified reference design can be used in the following countries: Austria, Belgium, Cyprus, Czech Republic, Denmark, Estonia, Finland, France, Germany, Greece, Hungary, Ireland, Italy, Latvia, Lithuania, Luxembourg, Malta, Poland, Portugal, Slovakia, Slovenia, Spain, Sweden, The Netherlands, the United Kingdom, Switzerland, and Norway.

**MIC Japan**

CYBT-013033-01 is certified as a module with type certification number **TBD**. End products that integrate CYBT-013033-01 do not need additional MIC Japan certification for the end product.

End product can display the certification label of the embedded module.

Model Name: EZ-BT Module

Part Number: CYBT-013011-01

Manufactured by Cypress Semiconductor.



**Packaging**

**Table 21. Solder Reflow Peak Temperature**

Module Part Number	Package	Maximum Peak Temperature	Maximum Time at Peak Temperature	No. of Cycles
CYBT-013033-01	13-pad SMT	260 °C	30 seconds	2

**Table 22. Package Moisture Sensitivity Level (MSL), IPC/JEDEC J-STD-2**

Module Part Number	Package	MSL
CYBT-013033-01	13-pad SMT	MSL 3

The CYBT-013033-01 is offered in tape and reel packaging. [Figure 13](#) details the tape dimensions used for the CYBT-013033-01.

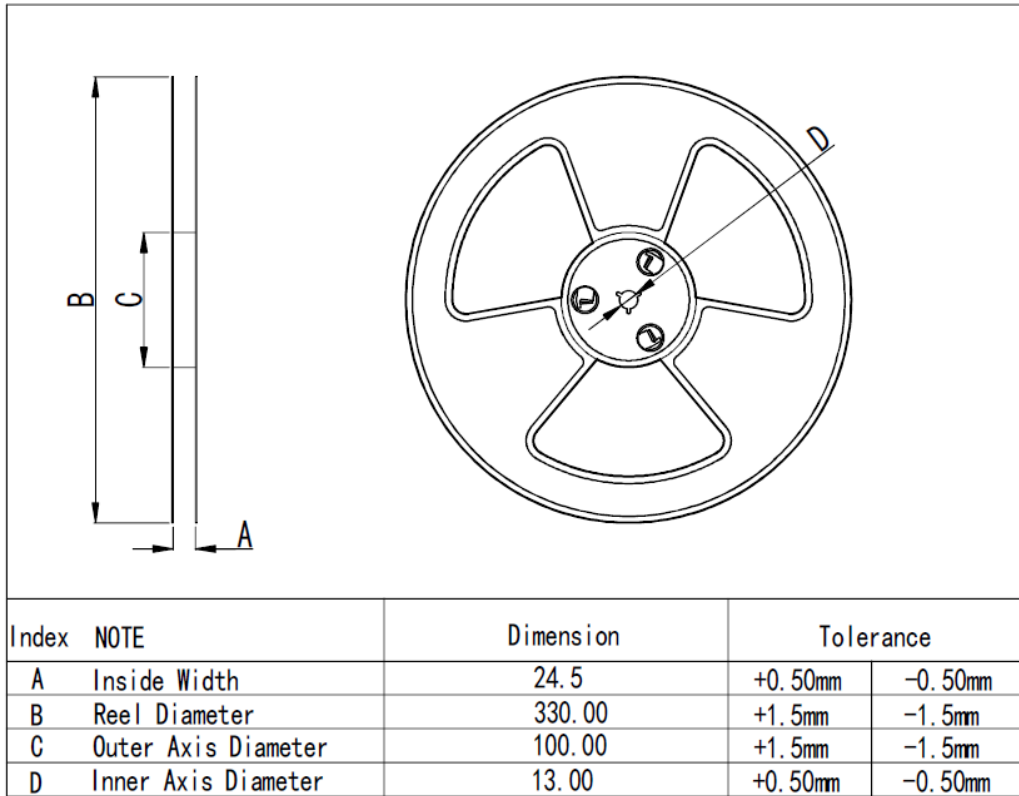
**Figure 13. CYBT-013033-01 Tape Dimensions (TBD)**

[Figure 14](#) details the orientation of the CYBT-013033-01 in the tape as well as the direction for unreeling.

**Figure 14. Component Orientation in Tape and Unreeling Direction (TBD)**

Figure 15 details reel dimensions used for the CYBT-013033-01.

**Figure 15. Reel Dimensions**



The CYBT-013033-01 is designed to be used with pick-and-place equipment in an SMT manufacturing environment. The center-of-mass for the CYBT-013033-01 is detailed in [Figure 16](#).

**Figure 16. CYBT-013033-01 Center of Mass (TBD)**

**Ordering Information**

Table 23 lists the CYBT-013033-01 part number and features. Table 24 lists the reel shipment quantities for the CYBT-013033-01.

**Table 23. Ordering Information**

Part Number	CPU Speed (MHz)	Flash Size (KB)	RAM Size (KB)	UART	BSC (I2C)	GPIO Maximum	Apple MFi Coprocessor Interface	Package	Packaging
CYBT-013033-01	24	0	352	Yes	Yes	2	Yes	13-SMT	Tape and Reel

**Table 24. Tape and Reel Package Quantity and Minimum Order Amount**

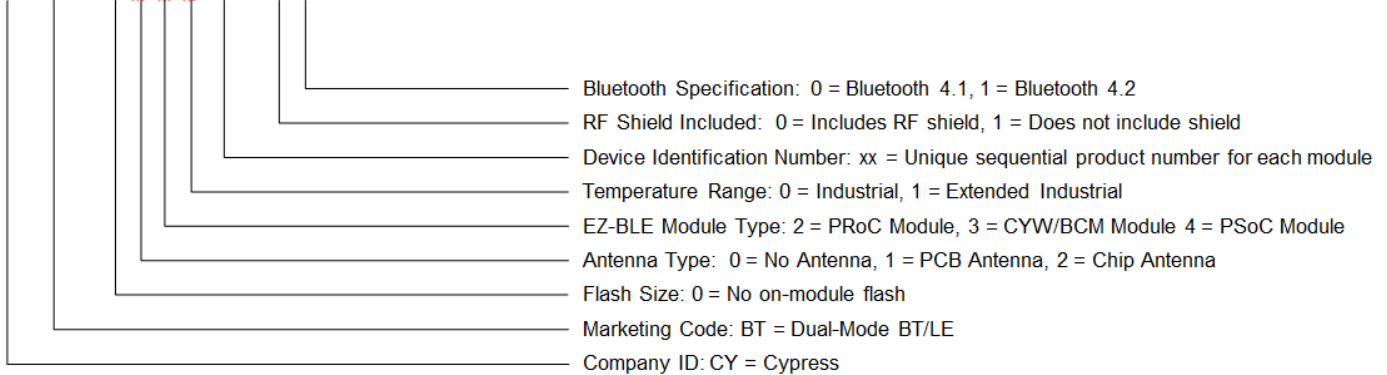
Description	Minimum Reel Quantity	Maximum Reel Quantity	Comments
Reel Quantity	1,500	1,500	Ships in 1,500 unit reel quantities.
Minimum Order Quantity (MOQ)	1,500	–	–
Order Increment (OI)	1,500	–	–

The CYBT-013033-01 is offered in tape and reel packaging. The CYBT-013033-01 ships in a reel size of 1,500.

**Part Numbering Convention**

The part numbers are of the form CYBLE-ABCDEF-GH where the fields are defined as follows.

**CY BT - X X X X XX - N X**



For additional information and a complete list of Cypress Semiconductor BLE products, contact your local Cypress sales representative. To locate the nearest Cypress office, visit our website.

U.S. Cypress Headquarters Address	198 Champion Court, San Jose, CA 95134
U.S. Cypress Headquarter Contact Info	(408) 943-2600
Cypress website address	<a href="http://www.cypress.com">http://www.cypress.com</a>

## Acronyms

**Table 25. Acronyms Used in this Document**

Acronym	Description
BLE	Bluetooth Low Energy
Bluetooth SIG	Bluetooth Special Interest Group
CE	European Conformity
CSA	Canadian Standards Association
EMI	electromagnetic interference
ESD	electrostatic discharge
FCC	Federal Communications Commission
GPIO	general-purpose input/output
IC	Industry Canada
IDE	integrated design environment
KC	Korea Certification
MIC	Ministry of Internal Affairs and Communications (Japan)
PCB	printed circuit board
RX	receive
QDID	qualification design ID
SMT	surface-mount technology; a method for producing electronic circuitry in which the components are placed directly onto the surface of PCBs
TCPWM	timer, counter, pulse width modulator (PWM)
TUV	Germany: Technischer Überwachungs-Verein (Technical Inspection Association)
TX	transmit

## Document Conventions

### Units of Measure

**Table 26. Units of Measure**

Symbol	Unit of Measure
°C	degree Celsius
kV	kilovolt
mA	milliamperes
mm	millimeters
mV	millivolt
μA	microamperes
μm	micrometers
MHz	megahertz
GHz	gigahertz
V	volt

## Document History Page

Document Title: CYBT-013033-01 EZ-BT™ Module Document Number: 002-18414				
Revision	ECN	Orig. of Change	Submission Date	Description of Change
**	5548256	DSO	01/27/2017	Preliminary datasheet for CYBT-013033-01 module.



## Sales, Solutions, and Legal Information

### Worldwide Sales and Design Support

Cypress maintains a worldwide network of offices, solution centers, manufacturer's representatives, and distributors. To find the office closest to you, visit us at [Cypress Locations](#).

#### Products

ARM® Cortex® Microcontrollers	<a href="http://cypress.com/arm">cypress.com/arm</a>
Automotive	<a href="http://cypress.com/automotive">cypress.com/automotive</a>
Clocks & Buffers	<a href="http://cypress.com/clocks">cypress.com/clocks</a>
Interface	<a href="http://cypress.com/interface">cypress.com/interface</a>
Internet of Things	<a href="http://cypress.com/iot">cypress.com/iot</a>
Memory	<a href="http://cypress.com/memory">cypress.com/memory</a>
Microcontrollers	<a href="http://cypress.com/mcu">cypress.com/mcu</a>
PSoC	<a href="http://cypress.com/psoc">cypress.com/psoc</a>
Power Management ICs	<a href="http://cypress.com/pmic">cypress.com/pmic</a>
Touch Sensing	<a href="http://cypress.com/touch">cypress.com/touch</a>
USB Controllers	<a href="http://cypress.com/usb">cypress.com/usb</a>
Wireless Connectivity	<a href="http://cypress.com/wireless">cypress.com/wireless</a>

#### PSoC® Solutions

[PSoC 1](#) | [PSoC 3](#) | [PSoC 4](#) | [PSoC 5LP](#)

#### Cypress Developer Community

[Forums](#) | [WICED IOT Forums](#) | [Projects](#) | [Video](#) | [Blogs](#) | [Training](#) | [Components](#)

#### Technical Support

[cypress.com/support](http://cypress.com/support)

© Cypress Semiconductor Corporation, 2017. This document is the property of Cypress Semiconductor Corporation and its subsidiaries, including Spansion LLC ("Cypress"). This document, including any software or firmware included or referenced in this document ("Software"), is owned by Cypress under the intellectual property laws and treaties of the United States and other countries worldwide. Cypress reserves all rights under such laws and treaties and does not, except as specifically stated in this paragraph, grant any license under its patents, copyrights, trademarks, or other intellectual property rights. If the Software is not accompanied by a license agreement and you do not otherwise have a written agreement with Cypress governing the use of the Software, then Cypress hereby grants you a personal, non-exclusive, nontransferable license (without the right to sublicense) (1) under its copyright rights in the Software (a) for Software provided in source code form, to modify and reproduce the Software solely for use with Cypress hardware products, only internally within your organization, and (b) to distribute the Software in binary code form externally to end users (either directly or indirectly through resellers and distributors), solely for use on Cypress hardware product units, and (2) under those claims of Cypress's patents that are infringed by the Software (as provided by Cypress, unmodified) to make, use, distribute, and import the Software solely for use with Cypress hardware products. Any other use, reproduction, modification, translation, or compilation of the Software is prohibited.

TO THE EXTENT PERMITTED BY APPLICABLE LAW, CYPRESS MAKES NO WARRANTY OF ANY KIND, EXPRESS OR IMPLIED, WITH REGARD TO THIS DOCUMENT OR ANY SOFTWARE OR ACCOMPANYING HARDWARE, INCLUDING, BUT NOT LIMITED TO, THE IMPLIED WARRANTIES OF MERCHANTABILITY AND FITNESS FOR A PARTICULAR PURPOSE. To the extent permitted by applicable law, Cypress reserves the right to make changes to this document without further notice. Cypress does not assume any liability arising out of the application or use of any product or circuit described in this document. Any information provided in this document, including any sample design information or programming code, is provided only for reference purposes. It is the responsibility of the user of this document to properly design, program, and test the functionality and safety of any application made of this information and any resulting product. Cypress products are not designed, intended, or authorized for use as critical components in systems designed or intended for the operation of weapons, weapons systems, nuclear installations, life-support devices or systems, other medical devices or systems (including resuscitation equipment and surgical implants), pollution control or hazardous substances management, or other uses where the failure of the device or system could cause personal injury, death, or property damage ("Unintended Uses"). A critical component is any component of a device or system whose failure to perform can be reasonably expected to cause the failure of the device or system, or to affect its safety or effectiveness. Cypress is not liable, in whole or in part, and you shall and hereby do release Cypress from any claim, damage, or other liability arising from or related to all Unintended Uses of Cypress products. You shall indemnify and hold Cypress harmless from and against all claims, costs, damages, and other liabilities, including claims for personal injury or death, arising from or related to any Unintended Uses of Cypress products.

Cypress, the Cypress logo, Spansion, the Spansion logo, and combinations thereof, WICED, PSoC, CapSense, EZ-USB, F-RAM, and Traveo are trademarks or registered trademarks of Cypress in the United States and other countries. For a more complete list of Cypress trademarks, visit [cypress.com](http://cypress.com). Other names and brands may be claimed as property of their respective owners.