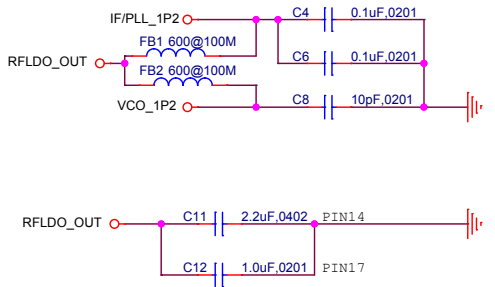
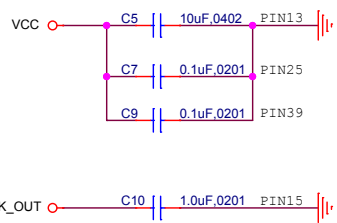
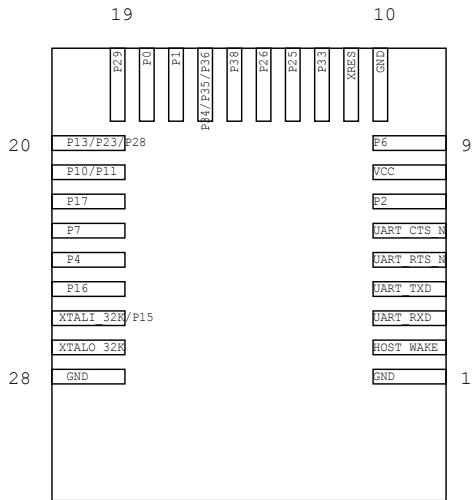
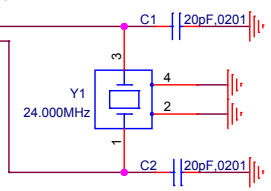
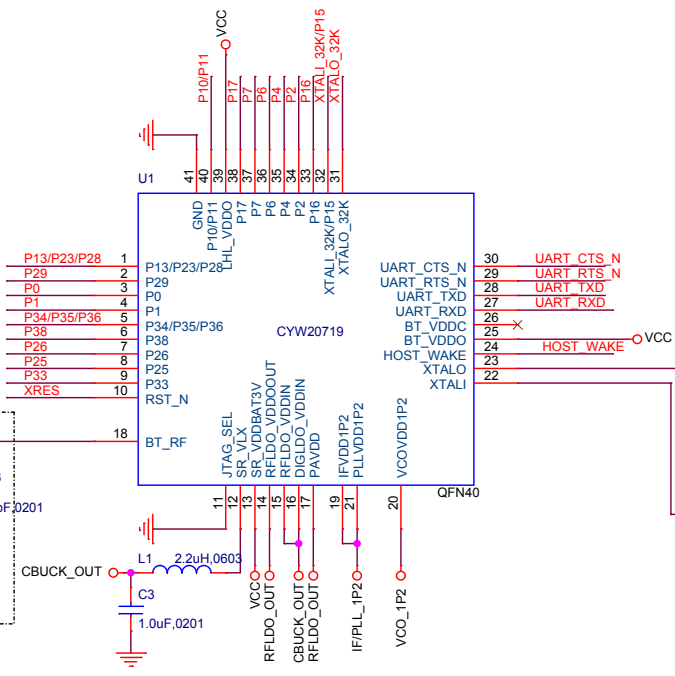
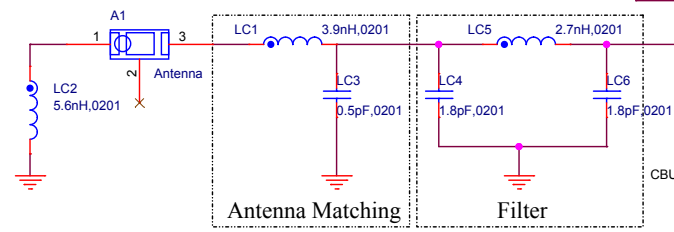


Pin 1 is For Radiator Electrode
Pin 3 is For Feeding



MODULE PAD ASSIGNMENT (BOTTOM VIEW)

Cypress Semiconductor Corp.		
Title CYBT-423028-02		
Size B	Document Number 630-20114-01	Rev 2.0
Date: 2017WW50	Sheet 1	of 1