

## General Description

The CYBT-X430XX-01 is a fully integrated Bluetooth® Smart Ready wireless module. The CYBT-X430XX-01 includes an onboard crystal oscillator, passive components, flash memory, and the Cypress CYW20706 silicon device. Refer to the [CYW20706](#) datasheet for additional details on the capabilities of the silicon device used in this module.

The CYBT-X430XX-01 supports peripheral functions (ADC and PWM), UART and USB communication, and a Bluetooth audio interface. The CYBT-X430XX-01 includes a royalty-free BLE stack compatible with Bluetooth 4.2 in a 12.0 × 15.5 × 1.95 mm package.

The CYBT-343026-01 includes 512KB of onboard serial flash memory and is designed for stand-alone operation. The CYBT-343029-01 has the same characteristics as the CYBT-343026-01, but also include an on-board Apple Authentication co-processor for use with Apple products such as HomeKit. The CYBT-143038-01 does not contain onboard flash, requiring hosted control or application RAM upload operating modes. The CYBT-143038-01 can also interface to external flash on the host board. The CYBT-X430XX-01 utilizes an integrated power amplifier to achieve Class I or Class II output power capability.

The CYBT-X430XX-01 is fully qualified by Bluetooth SIG and is targeted at applications requiring cost optimized BLE wireless connectivity.

## Module Description

- Module size: 12.00 mm × 15.50 mm × 1.95 mm
- Bluetooth LE 4.2 Smart Ready module
  - QDID: WAP3026
  - Declaration ID: 7922A-3026
- Certified to FCC, IC, MIC, and CE regulations
- Castelated solder pad connections for ease-of-use
- 512-KB on-module serial flash memory ( CYBT-34302X-01)
- Up to 10 GPIOs
- Temperature range: –30 °C to +85 °C
- Cortex-M3 32-bit processor
- Maximum TX output power:
  - +12 dbm for Bluetooth EDR
  - +9 dBm for Bluetooth Low Energy
- RX Receive Sensitivity:
  - –93.5 dBm for Bluetooth Classic
  - –96.5 dBm for Bluetooth Low Energy

## Notes

1. The values in this section were calculated for a 90% efficient DC-DC at 3V in HCI mode, and based on a Class I configuration bench-marked at Class II. Lower values are expected for a class II configuration using an external LPO and corresponding PA configuration

## Power Consumption<sup>[1]</sup>

- TX average current consumption: 12.5 mA (EDR) Class-II
- RX average current consumption: 20.0 mA (EDR)
- Low power mode support
  - Sleep: 120 uA

## Functional Capabilities

- 10-bit auxiliary ADC with nine analog channels
- Serial Communications interface compatible with I2C slaves
- Serial Peripheral Interface (SPI) support for both master and slave modes
- HCI interface through USB or UART
- PCM/I2S Audio interface
- 2-wire Global Coexistence Interface (GCI)
- Bluetooth wideband speech support
- Integrated peripherals such as PWM, ADC, Triac control
- Programmable output power control
- Maximum of 100 LE Connections
- Supports extended synchronous connections (eSCO), for enhanced voice quality by allowing for retransmission of dropped packets

## Benefits

CYBT-X430XX-01 provides all necessary components required to operate BLE and/or EDR/BR communication standards.

- Proven hardware design ready to use
- Dual-mode operation eliminates the need for multiple modules
- Cost optimized for applications without space constraints
- Non-volatile memory for self-sufficient operation and Over-the-air updates ( CYBT-34302X-01 only)
- Bluetooth SIG Listed with QDID and Declaration ID
- Fully certified module eliminates the time needed for design, development and certification processes
- WICED™ STUDIO 4.0 provides an easy-to-use integrated design environment (IDE) to configure, develop, and program a Bluetooth application
- Pre-programmed EZ-Serial firmware platform to allow for easy-to-use out of the box Bluetooth connectivity

## More Information

Cypress provides a wealth of data at [www.cypress.com](http://www.cypress.com) to help you to select the right module for your design, and to help you to quickly and effectively integrate the module into your design.

## References

- Overview: [EZ-BLE/BT Module Portfolio](#), [Module Roadmap](#)
- [EZ-BT WICED Product Overview](#)
- [CYW20706 BT Silicon Datasheet](#)
- Knowledge Base Article
  - [KBA97095](#) - EZ-BLE™ Module Placement
  - [KBA213260](#) - RF Regulatory Certifications for CYBT-343026-01 and CYBT-143038-01 EZ-BT™ WICED Modules
  - [KBA213976](#) - FAQ for BLE and Regulatory Certifications with EZ-BLE modules
  - [KBA210802](#) - Queries on BLE Qualification and Declaration Processes
- Development Kits:
  - [CYBT-343026-EVAL](#), CYBT-343026-01 Evaluation Board
- Test and Debug Tools:
  - [CYSmart](#), Bluetooth® LE Test and Debug Tool (Windows)
  - [CYSmart Mobile](#), Bluetooth® LE Test and Debug Tool (Android/iOS Mobile App)

## Development Environments

### Two Easy-To-Use Design Environments to Get You Started Quickly

#### *Wireless Connectivity for Embedded Devices (WICED) Studio Software Development Kit (SDK)*

Cypress's **WICED**® (Wireless Connectivity for Embedded Devices) is a full-featured platform with proven Software Development Kits (SDKs) and turnkey hardware solutions from partners to readily enable Wi-Fi and Bluetooth® connectivity in system design.

WICED Studio is the only SDK for the Internet of Things (IoT) that combines Wi-Fi and Bluetooth into a single integrated development environment. In addition to providing WICED APIs and an application framework designed to abstract complexity, WICED Studio also leverages many common industry standards.

#### *EZ-Serial™ BT Firmware Platform*

Cypress's EZ-Serial Firmware Platform provides a simple way to access the most common hardware and communication features needed in Bluetooth applications. EZ-Serial implements an intuitive API protocol over the UART interface and exposes various status and control signals through the module's GPIOs, making it easy to add BLE and/or EDR/BR functionality quickly to existing designs.

Use a simple serial terminal and evaluation kit to begin development without requiring an IDE.

EZ-BT modules with non-volatile memory are pre-flashed with the EZ-Serial Firmware Platform. If you do not have EZ-Serial pre-loaded on your module, you can download each EZ-BT module's firmware images on the [EZ-Serial webpage](#).

## Technical Support

- [Cypress Community](#): Whether you're a customer, partner or a developer interested in the latest Cypress innovations, the Cypress Developer Community offers you a place to learn, share and engage with both Cypress experts and other embedded engineers around the world.
- [Frequently Asked Questions \(FAQs\)](#): Learn more about our BLE ECO System.
- Visit our [support](#) page and create a [technical support case](#) or contact a [local sales representative](#). If you are in the United States, you can talk to our technical support team by calling our toll-free number: +1-800-541-4736. Select option 2 at the prompt.



**Contents**

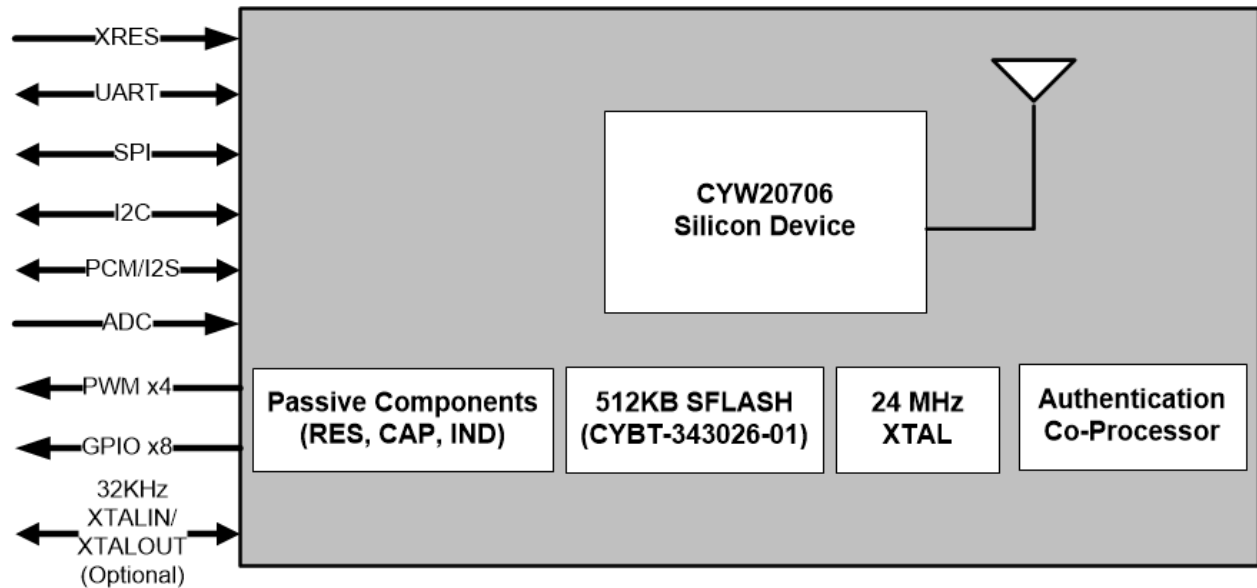
<b>Overview</b> .....	<b>4</b>	<b>Clock Frequencies</b> .....	<b>21</b>
Functional Block Diagram .....	4	<b>GPIO Port</b> .....	<b>22</b>
Module Description .....	4	<b>PWM</b> .....	<b>22</b>
<b>Pad Connection Interface</b> .....	<b>6</b>	<b>Triac Control/PWM</b> .....	<b>23</b>
<b>Recommended Host PCB Layout</b> .....	<b>7</b>	<b>Serial Peripheral Interface</b> .....	<b>23</b>
<b>Module Connections</b> .....	<b>9</b>	<b>Power Management Unit</b> .....	<b>23</b>
<b>Connections and Optional External Components</b> .....	<b>11</b>	RF Power Management .....	23
Power Connections (VDDIN).....	11	Host Controller Power Management .....	24
External Reset (XRES).....	11	BBC Power Management.....	24
Multiple-Bonded GPIO Connections .....	11	<b>Electrical Characteristics</b> .....	<b>25</b>
Using CYBT-143038-01 with External Flash.....	11	<b>RF Specifications</b> .....	<b>27</b>
Critical Components List .....	13	<b>Timing and AC Characteristics</b> .....	<b>30</b>
Antenna Design .....	13	UART Timing .....	30
<b>Bluetooth Baseband Core</b> .....	<b>14</b>	SPI Timing .....	31
Link Control Layer .....	14	BSC Interface Timing .....	33
Test Mode Support .....	15	PCM Interface Timing.....	34
Frequency Hopping Generator.....	15	I2S Interface Timing .....	38
<b>Microprocessor Unit</b> .....	<b>16</b>	<b>Environmental Specifications</b> .....	<b>39</b>
NVRAM Configuration Data and Storage.....	16	Environmental Compliance .....	39
One-Time Programmable Memory .....	16	RF Certification.....	39
External Reset (XRES).....	17	Safety Certification .....	39
<b>Integrated Radio Transceiver</b> .....	<b>18</b>	Environmental Conditions .....	39
Transmitter Path.....	18	ESD and EMI Protection .....	39
Digital Modulator .....	18	<b>Regulatory Information</b> .....	<b>40</b>
Digital Demodulator and Bit Synchronizer.....	18	FCC .....	40
Power Amplifier .....	18	ISED .....	41
Receiver Path.....	18	European Declaration of Conformity .....	42
Digital Demodulator and Bit Synchronizer.....	18	MIC Japan .....	42
Receiver Signal Strength Indicator .....	18	<b>Packaging</b> .....	<b>43</b>
Local Oscillator Generation .....	18	<b>Ordering Information</b> .....	<b>45</b>
Calibration .....	18	<b>Acronyms</b> .....	<b>46</b>
Internal LDO .....	19	<b>Document Conventions</b> .....	<b>47</b>
<b>Collaborative Coexistence</b> .....	<b>19</b>	Units of Measure .....	47
<b>Global Coexistence Interface</b> .....	<b>19</b>	<b>Document History Page</b> .....	<b>48</b>
SECI I/O .....	19	<b>Sales, Solutions, and Legal Information</b> .....	<b>49</b>
<b>Peripheral Transport Unit</b> .....	<b>19</b>	Worldwide Sales and Design Support.....	49
Cypress Serial Communications Interface .....	19	Products .....	49
UART Interface.....	20	PSoC® Solutions .....	49
Peripheral UART Interface .....	21	Cypress Developer Community.....	49
<b>PCM Interface</b> .....	<b>21</b>	Technical Support .....	49
Slot Mapping .....	21		
Frame Synchronization .....	21		
Data Formatting.....	21		
Burst PCM Mode .....	21		

## Overview

### Functional Block Diagram

Figure 1 illustrates the CYBT-343026-01 functional block diagram.

Figure 1. Functional Block Diagram



### Module Description

The CYBT-X430XX-01 module is a complete module designed to be soldered to the applications main board.

#### Module Dimensions and Drawing

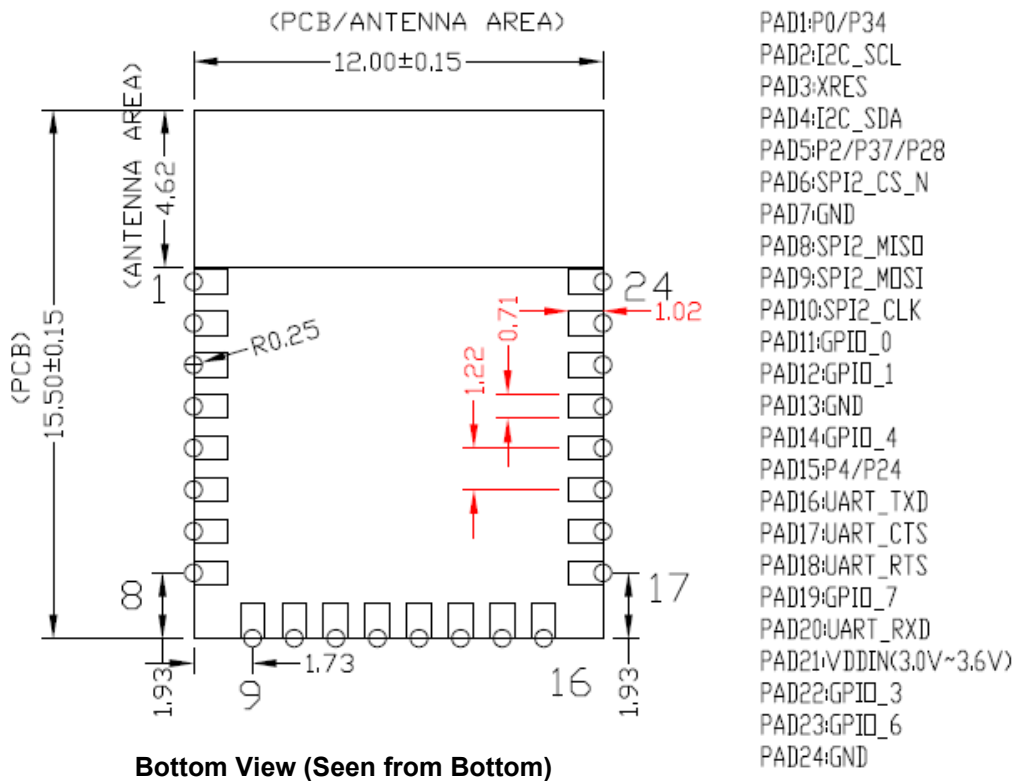
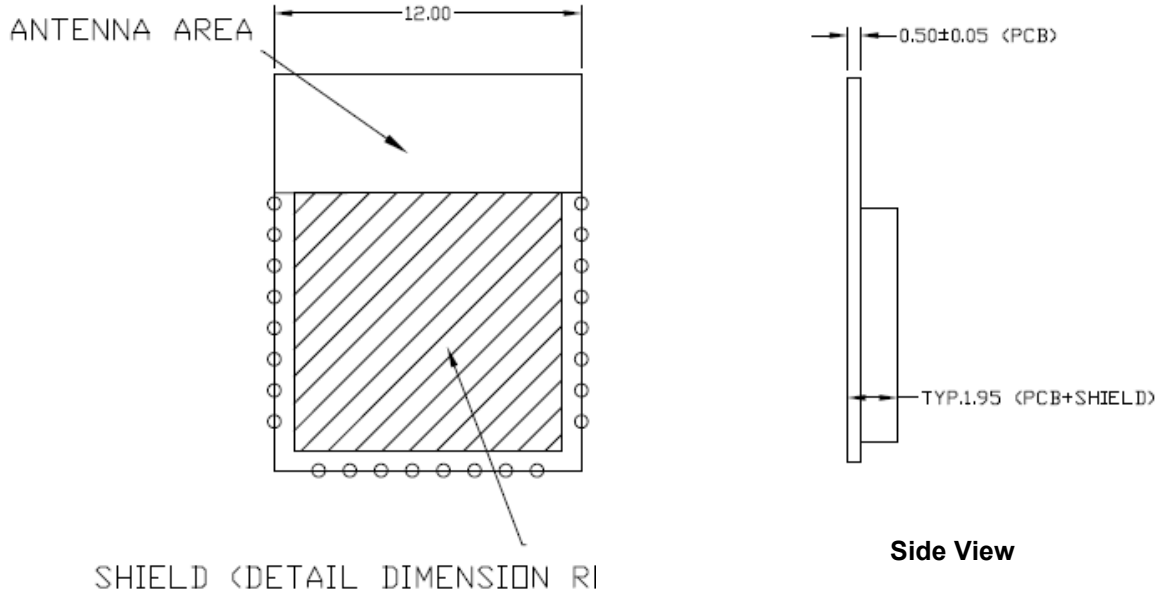
Cypress reserves the right to select components from various vendors to achieve the Bluetooth module functionality. Such selections will still guarantee that all mechanical specifications and module certifications are maintained. Designs should be held within the physical dimensions shown in the mechanical drawings in Figure 2 on page 5. All dimensions are in millimeters (mm).

Table 1. Module Design Dimensions

Dimension Item		Specification
Module dimensions	Length (X)	12.00 ± 0.15 mm
	Width (Y)	15.50 ± 0.15 mm
Antenna connection location dimensions	Length (X)	12.0 mm
	Width (Y)	4.62 mm
PCB thickness	Height (H)	0.50 ± 0.05 mm
Shield height	Height (H)	1.45 mm typical
Maximum component height	Height (H)	1.45 mm typical
Total module thickness (bottom of module to highest component)	Height (H)	1.95 mm typical

See Figure 2 for the mechanical reference drawing for CYBT-X430XX-01.

**Figure 2. Module Mechanical Drawing**



**Notes**

- No metal should be located beneath or above the antenna area. Only bare PCB material should be located beneath the antenna area. For more information on recommended host PCB layout, see "Recommended Host PCB Layout" on page 7.
- The CYBT-343026-01 includes castellated pad connections, denoted as the circular openings at the pad location above.

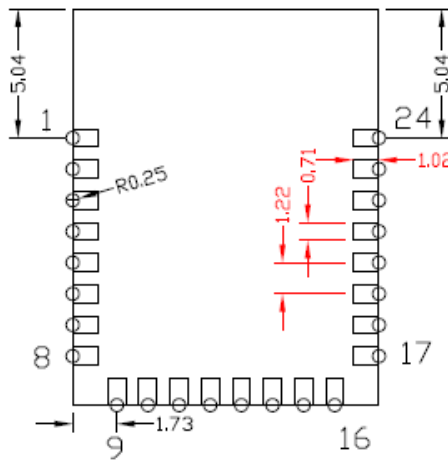
### Pad Connection Interface

As shown in the bottom view of [Figure 2](#) on page 5, the CYBT-X430XX-01 connects to the host board via solder pads on the backside of the module. [Table 2](#) and [Figure 3](#) detail the solder pad length, width, and pitch dimensions of the CYBT-X430XX-01 module.

**Table 2. Connection Description**

Name	Connections	Connection Type	Pad Length Dimension	Pad Width Dimension	Pad Pitch
SP	24	Solder Pads	1.02 mm	0.71 mm	1.27 mm

**Figure 3. Solder Pad Dimensions (Seen from Bottom)**

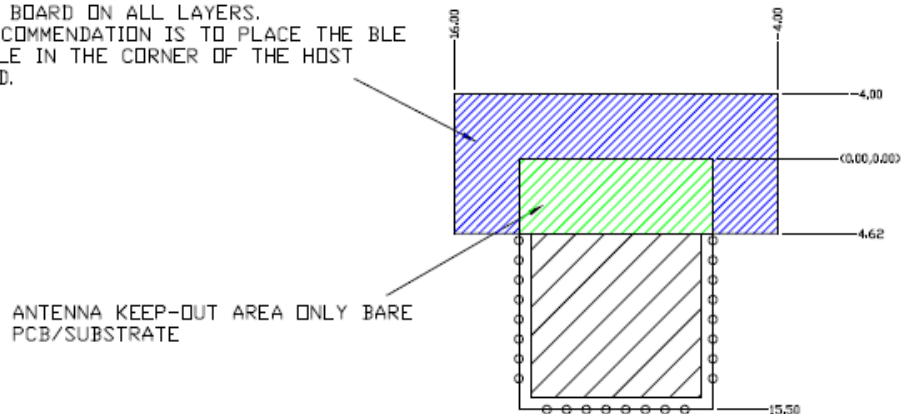


To maximize RF performance, the host layout should follow these recommendations:

1. Antenna Area Keepout: The host board directly below the antenna area of the Cypress module (see [Figure 2](#) on page 5) must contain no ground or signal traces. This keep out area requirement applies to all layers of the host board.
2. Module Placement: The ideal placement of the Cypress Bluetooth module is in a corner of the host board with the PCB trace antenna located at the far corner. This placement minimizes the additional recommended keep out area stated in item 2. Please refer to [AN96841](#) for module placement best practices.

**Figure 4. Recommended Host PCB Keep Out Area Around the CYBT-X430XX-01 Antenna**

1. FOR BEST RF PERFORMANCE, ADDITIONAL KEEPOUT IN BLUE HATCHED AREA ON THE HOST BOARD ON ALL LAYERS.
2. RECOMMENDATION IS TO PLACE THE BLE MODULE IN THE CORNER OF THE HOST BOARD.



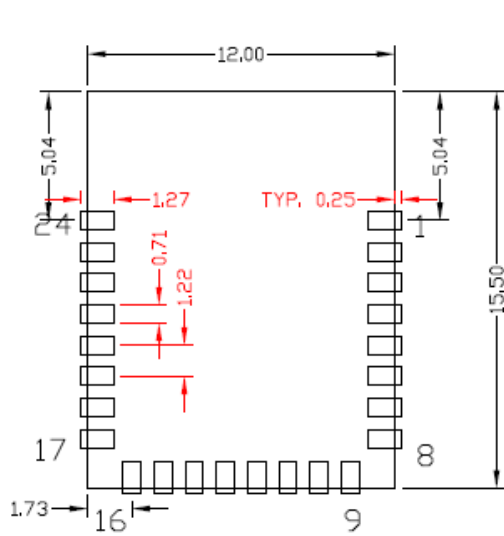


**Recommended Host PCB Layout**

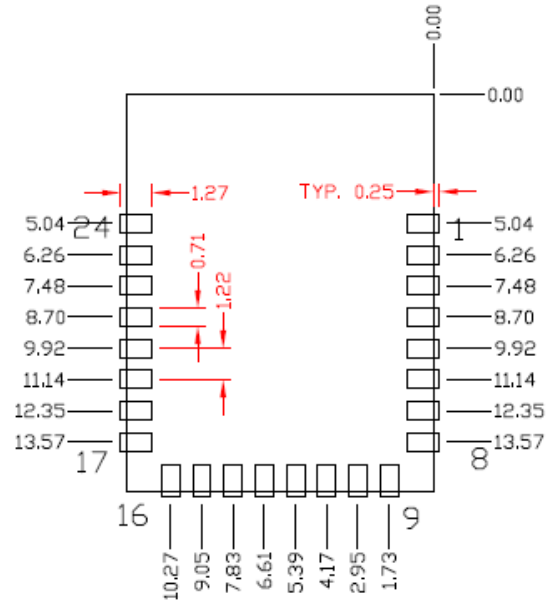
Figure 5, Figure 6, Figure 7, and Table 3 provide details that can be used for the recommended host PCB layout pattern for the CYBT-X430XX-01. Dimensions are in millimeters unless otherwise noted. Pad length of 1.27 mm (0.635 mm from center of the pad on either side) shown in Figure 7 is the minimum recommended host pad length. The host PCB layout pattern can be completed using either Figure 5, Figure 6, or Figure 7. It is not necessary to use all figures to complete the host PCB layout pattern.

**Figure 5. CYBT-X430XX-01 Host Layout (Dimensioned)**

**Figure 6. CYBT-X430XX-01 Host Layout (Relative to Origin)**



**Top View (Seen on Host PCB)**



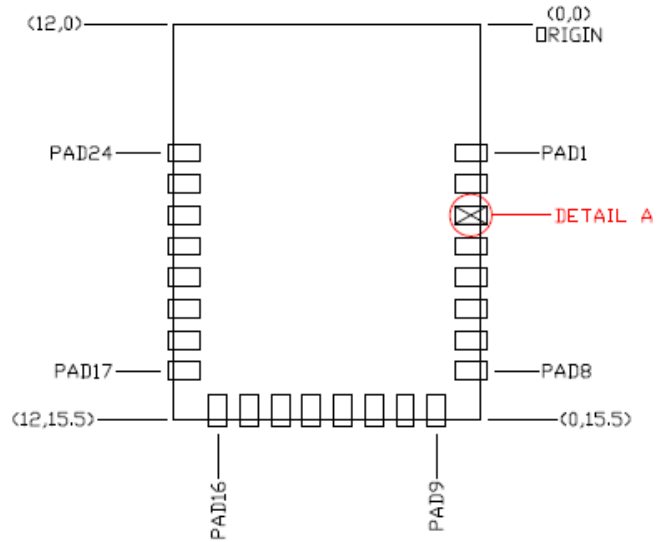
**Top View (Seen on Host PCB)**

Table 3 provides the center location for each solder pad on the CYBT-X430XX-01. All dimensions reference the to the center of the solder pad. Refer to Figure 6 for the location of each module solder pad.

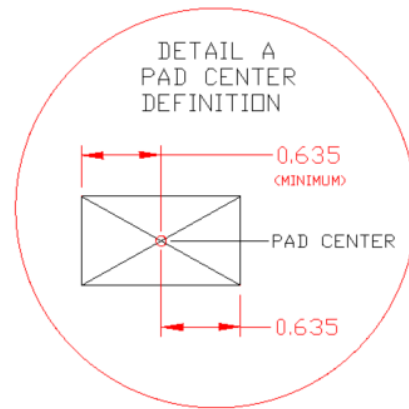
**Table 3. Module Solder Pad Location**

Solder Pad (Center of Pad)	Location (X,Y) from Origin (mm)	Dimension from Origin (mils)
1	(0.38, 5.04)	(14.96, 198.42)
2	(0.38, 6.26)	(14.96, 246.46)
3	(0.38, 7.48)	(14.96, 294.49)
4	(0.38, 8.70)	(14.96, 342.52)
5	(0.38, 9.92)	(14.96, 390.55)
6	(0.38, 11.14)	(14.96, 438.58)
7	(0.38, 12.35)	(14.96, 486.22)
8	(0.38, 13.57)	(14.96, 534.25)
9	(1.73, 15.11)	(68.11, 594.88)
10	(2.95, 15.11)	(116.14, 594.88)
11	(4.17, 15.11)	(164.17, 594.88)
12	(5.39, 15.11)	(212.20, 594.88)
13	(6.61, 15.11)	(260.24, 594.88)
14	(7.83, 15.11)	(308.27, 594.88)
15	(9.05, 15.11)	(356.30, 594.88)
16	(10.27, 15.11)	(404.33, 594.88)
17	(11.62, 13.57)	(457.48, 534.25)
18	(11.62, 12.35)	(457.48, 486.22)
19	(11.62, 11.14)	(457.48, 438.58)
20	(11.62, 9.92)	(457.48, 390.55)
21	(11.62, 8.70)	(457.48, 342.52)
22	(11.62, 7.48)	(457.48, 294.49)
23	(11.62, 6.26)	(457.48, 246.46)
24	(11.62, 5.04)	(457.48, 198.42)

**Figure 7. Solder Pad Reference Location**



**Top View (Seen on Host PCB)**







## Module Connections

Table 4 and Table 5 detail the solder pad connection definitions and available functions for the pad connections for the CYBT-34302X-01 and CYBT-143038-01 respectively. Table 4 and Table 5 lists the solder pads on the CYBT-X430XX-01 modules, the silicon device pin, and denotes what functions are available for each solder pad. The CYBT-343026-01 and CYBT-343029-01 share a common footprint.

**Table 4. CYBT-343026-01 and CYBT-343029-01 Solder Pad Connection Definitions**

Pad	Pad Name	UART	SPI <sup>1</sup>	I2C	ADC	QD <sup>2</sup>	CLK/XTAL	GPIO	Other
1	P0/P34	PUART_TX/P0 PUART_RX/P34	SPI1_MOSI/P0 (master/slave)		IN29/P0 IN5/P34	DY0/P34		✓	PCM_Sync I2S_WS
2	I2C_SCL			SCL					
3	XRES	External Reset (Active Low)							
4	I2C_SDA			SDA					
5	P2/P37/P28	PUART_RX/P2	SPI1_CS(slave)/P2 SPI1_MOSI(master)/P2 SPI1_MISO(slave)/P37	SCL/P37	IN11/P28 IN2/P37	DX0/P2 OC2/P28 DZ1/P37	ACK1/P37	✓	
6	SPI2_CS_N	No Connect (Used for on-module memory SPI interface for CYBT-343026-01)							
7	GND	Ground							
8	SPI2_MISO	No Connect (Used for on-module memory SPI interface for CYBT-343026-01)							
9	SPI2_MOSI	No Connect (Used for on-module memory SPI interface for CYBT-343026-01)							
10	SPI2_CLK	No Connect (Used for on-module memory SPI interface for CYBT-343026-01)							
11	GPIO_0		SPI1_CLK/P36 SPI1_MOSI/P38 (master/slave)		IN3/P36 IN1/P38	DZ0/P36	ACLK0/P36	✓ (DevWake)	~TX_PD/P36
12	GPIO_1	PUART_RX/P25 PUART_TX/P32	SPI1_MISO/P25 (master/slave) SPI1_CS/P32 (slave)		IN7/P32	DX0/P32	ACLK0/P32	✓ (HostWake)	
13	GND	Ground							
14	GPIO_4	PUART_RTS/P6 PUART_TX/P31	SPI1_CS/P6 (slave)		IN8/P31	DZ0/P6		✓ (GCI)	Ext LPO In
15	P4/P24	PUART_RX/P4 PUART_TX/P24	SPI1_MOSI/P6 (master/slave) SPI1_CLK/P24 (master/slave)			DY0/P4		✓ (CLK_REQ)	
16	UART_TXD	UART Transmit Data							
17	UART_CTS	UART Clear To Send Input							
18	UART_RTS	UART Request To Send Output							
19	GPIO_7	PUART_RTS/P30			IN9/P30			✓ (GCI)	
20	UART_RXD	UART Receive Data							
21	VDDIN	VDDIN (3.0V ~ 3.6V)							
22	GPIO_3	UART_RX/P33	SPI1_MOSI/P27 (master/slave) SPI1_MOSI/P33 (slave)		IN6/P33	OC1/P27 DX1/P33	ACLK1/P33	✓	PWM2/P27
23	GPIO_6		SPI1_CS/P26 (slave)		IN24/P11	OC0/P26		✓ (GCI)	PWM1/P26
24	GND	Ground							

1. The CYBT-343026-01 contains a single SPI (SPI1) peripheral supporting both master or slave configurations. SPI2 is used for on-module serial memory interface.
2. Quadrature Decoder

**Table 5. CYBT-143038-01 Solder Pad**

Pad	Pad Name	UART	SPI <sup>1</sup>	I2C	ADC	QD <sup>2</sup>	CLK/XTAL	GPIO	Other
1	P0/P34	PUART_TX/P0 PUART_RX/P34	SPI1_MOSI/P0 (master/slave)		IN29/P0 IN5/P34	DY0/P34		✓	PCM_Sync I2S_WS
2	I2C_SCL			SCL					
3	XRES	External reset							
4	I2C_SDA			SDA					
5	P2/P37/P28	PUART_RX/P2	SPI1_CS(slave)/P2 SPI1_MOSI(master)/ P2 SPI1_MISO(slave)/P3 7	SCL/P37	IN11/P28 IN2/P37	DX0/P2 OC2/P28 DZ1/P37	ACK1/P37	✓	
6	SPI2_CS_N		SPI2 active-low chip select						
7	GND	Ground							
8	SPI2_MISO		SPI2_MISO (master)	SCL					
9	SPI2_MOSI		SPI2_MOSI (master)	SDA					
10	SPI2_CLK		SPI2_CLK (master)						
11	GPIO_0		SPI1_CLK/P36 SPI1_MOSI/P38 (master/slave)		IN3/P36 IN1/P38	DZ0/P36	ACLK0/P36	✓ (DevWake)	~TX_PD/P36
12	GPIO_1	PUART_RX/P25 PUART_TX/P32	SPI1_MISO/P25 (master/slave) SPI1_CS/P32 (slave)		IN7/P32	DX0/P32	ACLK0/P32	✓ (Host Wake)	
13	GND	Ground							
14	GPIO_4	PUART_RTS/P6 PUART_TX/P31	SPI1_CS/P6 (slave)		IN8/P31	DZ0/P6	(slave)	✓ (GCI)	Ext LPO In
15	P4/P24	PUART_RX/P4 PUART_TX/P24	SPI1_MOSI/P6 (master/slave) SPI1_CLK/P24 (master/slave)			DY0/P4		✓ (CLK_REQ)	
16	UART_TXD	UART transmit data							
17	UART_CTS	UART clear to send input							
18	UART_RTS	UART request to send output							
19	GPIO_7	PUART_RTS/P30			IN9/P30			✓ (GCI)	
20	UART_RXD	UART receive data							
21	VDDIN	VDDIN (3.0V ~ 3.6V)							
22	GPIO_3	UART_RX/P33	SPI1_MOSI/P27 (master/slave) SPI1_MOSI/P33 (slave)		IN6/P33	OC1/P27 DX1/P33	ACLK1/P33	✓	PWM2/P27
23	GPIO_6		SPI1_CS/P26 (slave)		IN24/P11	OC0/P26	(slave)	✓ (GCI)	PWM1/P26
24	GND	Ground							

- The CYBT-143038-01 contains two SPI peripherals, SPI1 and SPI2. SPI1 supports only master or slave modes, whereas SPI2 supports master only mode. The connections shown in Table 5 above detail the SPI function for the given mode shown in parenthesis. If external memory is used with the CYBT-143038-01, then SPI2 should be used as the interface.
- Quadrature Decoder



## Connections and Optional External Components

### Power Connections (VDDIN)

The CYBT-X430XX-01 contains one power supply connection, VDDIN. VDDIN accepts a supply input range of 2.3 V to 3.6 V for CYBT-34302X-01 and 1.62 V to 3.6 V for the CYBT-143038-01. [Table 12](#) provides this specification. The maximum power supply ripple for this power connection is 100 mV, as shown in [Table 12](#).

It is not required to place any power supply decoupling or noise reduction circuitry on the host PCB. If desired, an external ferrite bead between the supply and the module connection can be included, but is not necessary. If used, the ferrite bead should be positioned as close as possible to the module pin connection and the recommended ferrite bead value is 330Ω, 100 MHz.

### External Reset (XRES)

The CYBT-X430XX-01 has an integrated power-on reset circuit which completely resets all circuits to a known power on state. This action can also be evoked by an external reset signal, forcing it into a power-on reset state. The XRES signal is an active-low signal, which is an input to the CYBT-X430XX-01 module (solder pad 3). The CYBT-X430XX-01 module does not require an external pull-up resistor on the XRES input

During power on operation, the XRES connection to the CYBT-X430XX-01 is required to be held low 50 ms after the VDD power supply input to the module is stable. This can be accomplished in the following ways:

- The host device should connect a GPIO to the XRES of Cypress CYBT-X430XX-01 module and pull XRES low until VDD is stable. XRES is recommended to be released 50 ms after VDDIN is stable.
- The XRES release timing may be controlled by a external voltage detection circuit. XRES should be released 50 ms after VDD is stable.

Refer to [Figure 10](#) on page 17 for XRES operating and timing requirements during power on events.

### Multiple-Bonded GPIO Connections

The CYBT-X430XX-01 contains GPIO which are multiple-bonded at the silicon level. If any of these dual-bonded GPIO are used, only the functionality and features for one of these port pins may be used. The desired port pin should be configured in the WICED Studio SDK. For details on the features and functions that each of these multiple-bonded GPIO provide, please refer to [Table 4](#) and [Table 5](#).

### Using CYBT-143038-01 with External Flash

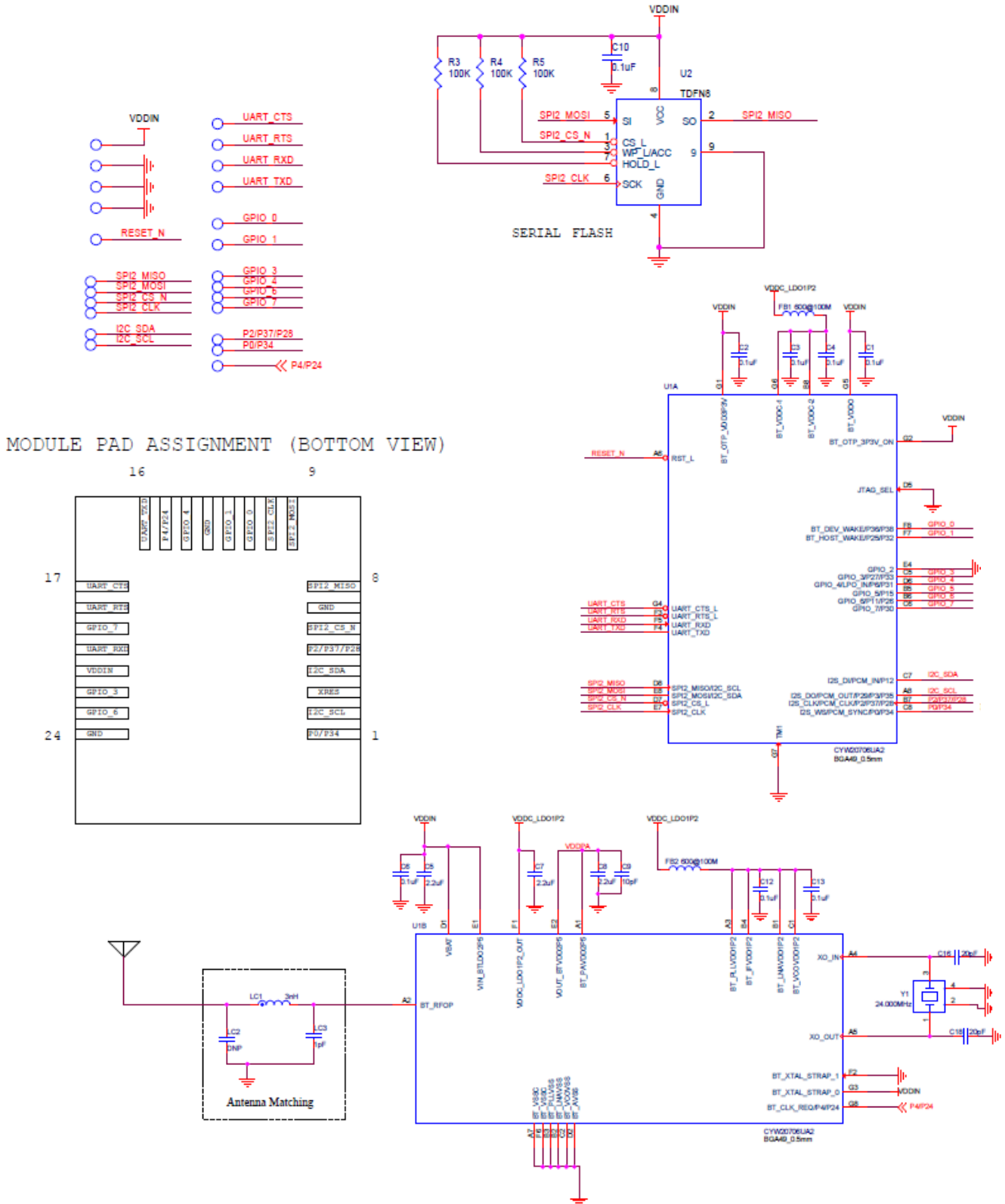
The CYBT-143038-01 does not contain any on-module non-volatile memory. If desired, the CYBT-143038-01 can be used with an external memory device (SFLASH).

If EEPROM is used as an external memory device with I2C interface, module solder pads 4 (SDA) and 2 (SCL) must be used as the I2C interface.

If using external SFLASH as the memory interface, SPI2 (master) must be used as the interface to the SFLASH device. The specific GPIO required and the applicable SPI signal is shown below. These are the same signals used for SFLASH interface on the CYBT-343026-01.

1. SPI signal MOSI: Module Solder Pad 9, silicon connection SPI2\_MOSI\_I2C\_SDA
2. SPI signal MISO: Module Solder Pad 8, silicon connection SPI2\_MISO\_I2C\_SCL
3. SPI Signal CLK: Module Solder Pad 10 silicon connection SPI2\_CLK
4. SPI Signal CS: Module Solder Pad 6, silicon connection SPI2\_CSN

Figure 8 illustrates the CYBT-343026-01 schematic.

**Figure 8. CYBT-343026-01 Schematic Diagram**




**Critical Components List**

Table 6 details the critical components used in the CYBT-X430XX-01 module.

**Table 6. Critical Component List**

Component	Reference Designator	Description
Silicon	U1	49-pin FBGA BT/BLE Silicon Device - CYW20706
Silicon	U2	8-pin TDF8N, 512KSerial Flash ( CYBT-34302X-01)
Crystal	Y1	24.000 MHz, 12PF

**Antenna Design**

Table 7 details trace antenna used in the CYBT-X430XX-01 module. For more information, see Table 7.

**Table 7. Trace Antenna Specifications**

Item	Description
Frequency Range	2400 – 2500 MHz
Peak Gain	-0.5 dBi typical
Return Loss	10 dB minimum



## Bluetooth Baseband Core

The Bluetooth Baseband Core (BBC) implements all of the time-critical functions required for high-performance Bluetooth operation. The BBC manages the buffering, segmentation, and routing of data for all connections. It also buffers data that passes through it, handles data flow control, schedules SCO/ACL and TX/RX transactions, monitors Bluetooth slot usage, optimally segments and packages data into baseband packets, manages connection status indicators, and composes and decodes HCI packets. In addition to these functions, it independently handles HCI event types, and HCI command types. The following transmit and receive functions are also implemented in the BBC hardware to increase reliability and security of the TX/RX data before sending over the air:

- Symbol timing recovery, data deframing, forward error correction (FEC), header error control (HEC), cyclic redundancy check (CRC), data decryption, and data dewatering in the receiver.
- Data framing, FEC generation, HEC generation, CRC generation, key generation, data encryption, and data whitening in the transmitter.

### Bluetooth 4.2 Features

CYBT-X430XX-01 supports all Bluetooth 4.2 and legacy features, with the following benefits

- Dual-mode Bluetooth (BT and BLE operation)
- Extended inquiry response (EIR): Shortens the time to retrieve the device name, specific profile, and operating mode.
- Encryption pause resume (EPR): Enables the use of Bluetooth technology in a much more secure environment.
- Sniff subrating (SSR): Optimizes power consumption for low duty cycle asymmetric data flow, which subsequently extends battery life.
- Secure simple pairing (SSP): Reduces the number of steps for connecting two devices, with minimal or no user interaction required.
- Link supervision time out (LSTO): Additional commands added to HCI and Link Management Protocol (LMP) for improved link timeout supervision.
- Quality of service (QoS) enhancements: Changes to data traffic control, which results in better link performance. Audio, human interface device (HID), bulk traffic, SCO, and enhanced SCO (eSCO) are improved with the erroneous data (ED) and packet boundary flag (PBF) enhancements.
- Secure connections (BR/EDR)
- Fast advertising interval
- Piconet clock adjust
- Connectionless broadcast
- LE privacy v1.1
- Low duty cycle directed advertising
- LE dual mode topology

### Link Control Layer

The link control layer is part of the Bluetooth link control functions that are implemented in dedicated logic in the link control unit (LCU). This layer consists of the command controller that takes commands from the software, and other controllers that are activated or configured by the command controller, to perform the link control tasks. Each task is performed in a different state in the Bluetooth Link Controller.

- States:
  - Standby
  - Connection
  - Page
  - Page Scan
  - Inquiry
  - Inquiry Scan
  - Sniff
  - Advertising
  - Scanning

### Test Mode Support

The CYBT-X430XX-01 fully supports Bluetooth Test mode as described in Part I:1 of the Specification of the Bluetooth System Version 3.0.

This includes the transmitter tests, normal and delayed loopback tests, and reduced hopping sequence.

In addition to the standard Bluetooth Test Mode, the CYBT-X430XX-01 also supports enhanced testing features to simplify RF debugging and qualification and type-approval testing. These features include:

- Fixed frequency carrier wave (unmodulated) transmission
  - Simplifies some type-approval measurements (Japan)
  - Aids in transmitter performance analysis
- Fixed frequency constant receiver mode
  - Receiver output directed to I/O pin
  - Allows for direct BER measurements using standard RF test equipment
  - Facilitates spurious emissions testing for receive mode
- Fixed frequency constant transmission
  - 8-bit fixed pattern or PRBS-9
  - Enables modulated signal measurements with standard RF test equipment.

### Frequency Hopping Generator

The frequency hopping sequence generator selects the correct hopping channel number based on the link controller state, Bluetooth clock, and device address.

## Microprocessor Unit

The microprocessor unit in CYBT-X430XX-01 runs software from the link control (LC) layer up to the host controller interface (HCI). The microprocessor is based on the Cortex-M3 32-bit RISC processor with embedded ICE-RT debug and JTAG interface units. The microprocessor also includes 848 KB of ROM memory for program storage and boot ROM, 352 KB of RAM for data scratch-pad, and patch RAM code.

The internal boot ROM provides flexibility during power-on reset to enable the same device to be used in various configurations. At power-up, the lower layer protocol stack is executed from the internal ROM.

External patches can be applied to the ROM-based firmware to provide flexibility for bug fixes and features additions. These patches can be downloaded using external NVRAM. The device can also support the integration of user applications and profiles using an external serial flash memory.

### NVRAM Configuration Data and Storage

NVRAM contains configuration information about the customer application, including the following:

- Fractional-N information
- BD\_ADDR
- UART baud rate
- SDP service record
- File system information used for code, code patches, or data. The CYBT-X430XX-01 can use SPI Flash or I2C EEPROM/serial flash for NVRAM storage..

### One-Time Programmable Memory

The microprocessor unit in CYBT-X430XX-01 includes 2 Kbytes of one-time programmable (OTP) memory allow manufacturing customization and to avoid the need for an on-board NVRAM. If customization is not required, then the OTP does not need to be programmed. Whether the OTP is programmed or not, to save power it is disabled when the boot process is complete. The OTP is designed to store a minimal amount of information. Aside from OTP data, most user configuration information will be downloaded to RAM after the CYBT-X430XX-01 boots and is ready for host transport communication.

The OTP contents are limited to:

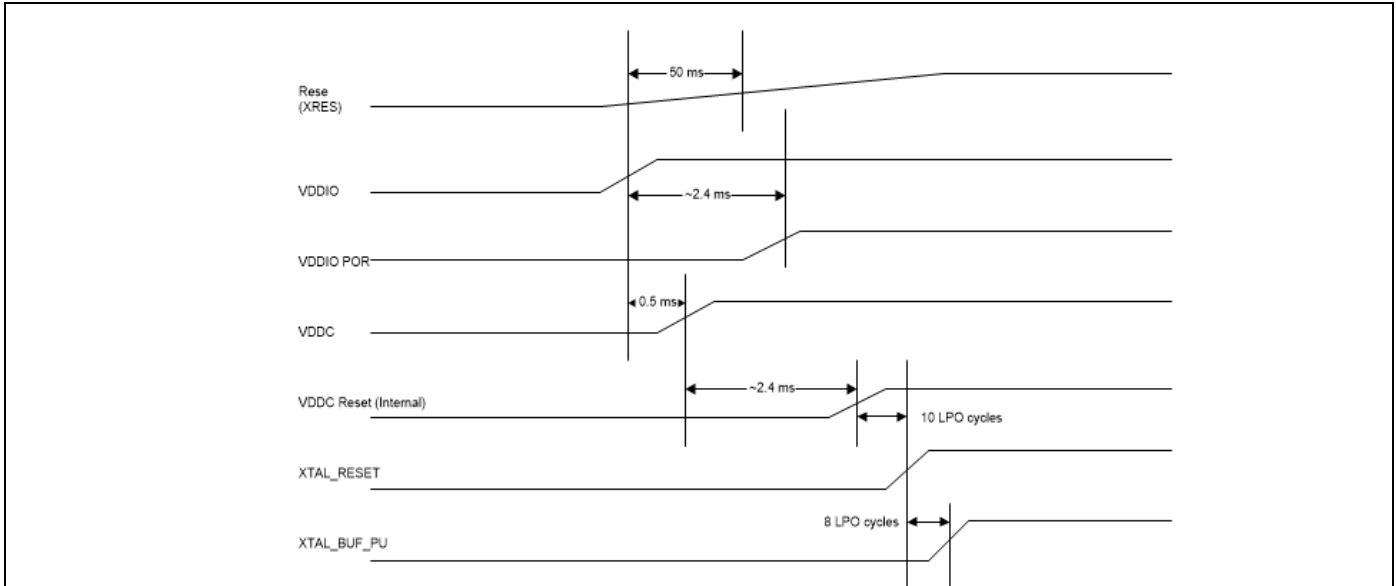
- Parameters required prior to downloading the user configuration to RAM.
- Parameters unique to each part and each customer (for example, the Bluetooth device address and/or the software license key).



### External Reset (XRES)

The CYBT-X430XX-01 has an integrated power-on reset circuit that completely resets all circuits to a known power-on state. An external active low reset signal, XRES, can be used to put the CYBT-X430XX-01 in the reset state. The XRES pin has an internal pull-up resistor and, in most applications, it does not require that anything be connected to it.

**Figure 9. External Reset Internal Timing**

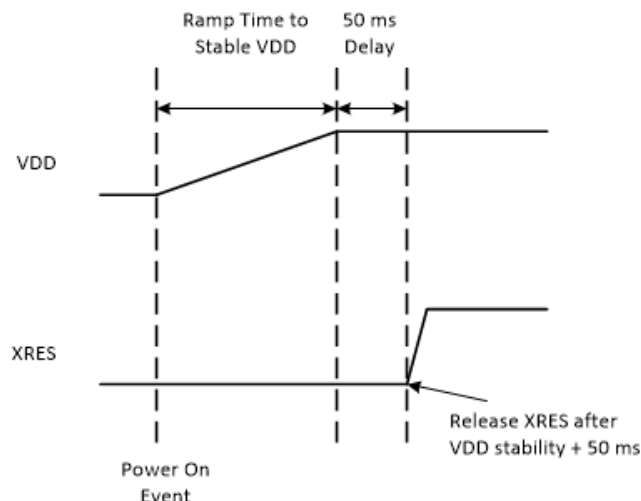


### External Reset (XRES) Recommended External Components and Proper Operation

During a power on event, the XRES line of the CYBT-X430XX-01 is required to be held low 50 ms after the VDD power supply input to the module is stable. Refer to [Figure 10](#) for the Power On XRES timing operation. This power on operation can be accomplished in the following ways:

- A host device should connect a GPIO to the XRES of Cypress CYBT-X430XX-01 module and pull XRES low until VDD is stable. XRES can be released after VDD is stable.
- If the XRES connection of the CYBT-X430XX-01 module is not used in the application, a 0.47uF capacitor may be connected to the XRES solder pad of the CYBT-X430XX-01.
- The XRES release timing can also be controlled via a external voltage detection circuit.

**Figure 10. Power On External Reset (XRES) Operation**



## Integrated Radio Transceiver

The CYBT-X430XX-01 has an integrated radio transceiver that has been optimized for use in 2.4 GHz Bluetooth wireless systems. It has been designed to provide low-power, low-cost, robust communications for applications operating in the globally available 2.4 GHz unlicensed ISM band. The CYBT-X430XX-01 is fully compliant with the Bluetooth Radio Specification and enhanced data rate (EDR) specification and meets or exceeds the requirements to provide the highest communication link quality of service.

### Transmitter Path

The CYBT-X430XX-01 is a fully integrated zero-IF transmitter. The baseband transmit data is GFSK-modulated in the modem block and upconverted to the 2.4 GHz ISM band in the transmitter path. The transmitter path consists of signal filtering, I/Q upconversion, output power amplifier, and RF filtering. The transmitter path also incorporates  $\pi/4$ -DQPSK for 2 Mbps and 8-DPSK for 3 Mbps to support EDR. The transmitter section is compatible with the BLE specification. The transmitter PA bias can also be adjusted to provide Bluetooth class 1 or class 2 operation.

### Digital Modulator

The digital modulator performs the data modulation and filtering required for the GFSK,  $\pi/4$ -DQPSK, and 8-DPSK signal. The fully digital modulator minimizes any frequency drift or anomalies in the modulation characteristics of the transmitted signal and is much more stable than direct VCO modulation schemes.

### Digital Demodulator and Bit Synchronizer

The digital demodulator and bit synchronizer take the low-IF received signal and perform an optimal frequency tracking and bit synchronization algorithm.

### Power Amplifier

The fully integrated PA supports Class 1 or Class 2 output using a highly linearized, temperature-compensated design. This provides greater flexibility in front-end matching and filtering. Due to the linear nature of the PA combined with some integrated filtering, external filtering is required to meet the Bluetooth and regulatory harmonic and spurious requirements. For integrated mobile handset applications in which Bluetooth is integrated next to the cellular radio, external filtering can be applied to achieve near thermal noise levels for spurious and radiated noise emissions. The transmitter features a sophisticated on-chip transmit signal strength indicator (TSSI) block to keep the absolute output power variation within a tight range across process, voltage, and temperature.

### Receiver Path

The receiver path uses a low-IF scheme to downconvert the received signal for demodulation in the digital demodulator and bit synchronizer. The receiver path provides a high degree of linearity, an extended dynamic range, and high-order on-chip channel filtering to ensure reliable operation in the noisy 2.4 GHz ISM band. The front-end topology, with built-in out-of-band attenuation, enables the CYBT-X430XX-01 to be used in most applications with minimal off-chip filtering. For integrated handset operation, in which the Bluetooth function is integrated close to the cellular transmitter, external filtering is required to eliminate the desensitization of the receiver by the cellular transmit signal.

### Digital Demodulator and Bit Synchronizer

The digital demodulator and bit synchronizer take the low-IF received signal and perform an optimal frequency tracking and bit synchronization algorithm.

### Receiver Signal Strength Indicator

The radio portion of the CYBT-X430XX-01 provides a receiver signal strength indicator (RSSI) to the baseband. This enables the controller to take part in a Bluetooth power-controlled link by providing a metric of its own receiver signal strength to determine whether the transmitter should increase or decrease its output power.

### Local Oscillator Generation

The local oscillator (LO) provides fast frequency hopping (1600 hops/second) across the 79 maximum available channels. The LO generation subblock employs an architecture for high immunity to LO pulling during PA operation. The CYBT-X430XX-01 uses an internal loop filter.

### Calibration

The CYBT-X430XX-01 radio transceiver features an automated calibration scheme that is fully self-contained in the radio. No user interaction is required during normal operation or during manufacturing to provide optimal performance. Calibration tunes the performance of all the major blocks within the radio to within 2% of optimal conditions, including gain and phase characteristics of filters, matching between key components, and key gain blocks. This takes into account process variation and temperature variation. Calibration occurs transparently during normal operation during the settling time of the hops, and calibrates for temperature variations as the device cools and heats during normal operation in its environment.

## Internal LDO

The microprocessor in CYBT-X430XX-01 uses two LDOs - one for 1.2V and the other for 2.5V. The 1.2V LDO provides power to the baseband and radio and the 2.5V LDO powers the PA.

## Collaborative Coexistence

The CYBT-X430XX-01 provides extensions and collaborative coexistence to the standard Bluetooth AFH for direct communication with WLAN devices. Collaborative coexistence enables WLAN and Bluetooth to operate simultaneously in a single device. The device supports industry-standard coexistence signaling, including 802.15.2, and supports Cypress and third-party WLAN solutions.

## Global Coexistence Interface

The CYBT-X430XX-01 supports the proprietary Cypress Global Coexistence Interface (GCI) which is a 2-wire interface.

The following key features are associated with the interface:

- Enhanced coexistence data can be exchanged over GCI\_SECI\_IN and GCI\_SECI\_OUT a two-wire interface, one serial input (GCI\_SECI\_IN), and one serial output (GCI\_SECI\_OUT). The pad configuration registers must be programmed to choose the digital I/O pins that serve the GCI\_SECI\_IN and GCI\_SECI\_OUT function.
- It supports generic UART communication between WLAN and Bluetooth devices.
- To conserve power, it is disabled when inactive.
- It supports automatic resynchronization upon waking from sleep mode.
- It supports a baud rate of up to 4 Mbps.

## SECI I/O

The microprocessor in CYBT-X430XX-01 have dedicated GCI\_SECI\_IN and GCI\_SECI\_OUT pins. The two pin functions can be mapped to the following connections on the Cypress module:

- GCI\_SECI\_IN: Module pad

Cypress Global Coexistence Interface (GCI) GPIO (Pad 4/5/6/7) . Pin function mapping is controlled by the configuration file that is stored in either NVRAM or downloaded directly into on-chip RAM from the host.

## Peripheral Transport Unit

### Cypress Serial Communications Interface

The CYBT-X430XX-01 provides a 2-pin master BSC interface, which can be used to retrieve configuration information from an external EEPROM or to communicate with peripherals such as track-ball or touch-pad modules, and motion tracking ICs used in mouse devices. The BSC interface is compatible with I<sup>2</sup>C slave devices. The BSC does not support multimaster capability or flexible wait-state insertion by either master or slave devices.

The following transfer clock rates are supported by the BSC:

- 100 kHz
- 400 kHz
- 800 kHz (not a standard I<sup>2</sup>C-compatible speed.)
- 1 MHz (Compatibility with high-speed I<sup>2</sup>C-compatible devices is not guaranteed.)
- The following transfer types are supported by the BSC:
  - Read (Up to 127 bytes can be read.)
  - Write (Up to 127 bytes can be written.)
  - Read-then-Write (Up to 127 bytes can be read and up to 127 bytes can be written.)
  - Write-then-Read (Up to 127 bytes can be written and up to 127 bytes can be read.)

Hardware controls the transfers, requiring minimal firmware setup and supervision.

The clock pad (I2C\_SCL) and data pad 2 (I2C\_SDA) are both open-drain I/O pins. Pull-up resistors external to the CYBT-X430XX-01 are required on both the SCL and SDA pad for proper operation.



## UART Interface

The UART physical interface is a standard, 4-wire interface (RX, TX, RTS, and CTS) with adjustable baud rates from 38400 bps to 6 Mbps. During initial boot, UART speeds may be limited to 750 kbps. The baud rate may be selected via a vendor-specific UART HCI command. The CYBT-X430XX-01 has a 1040-byte receive FIFO and a 1040-byte transmit FIFO to support enhanced data rates. The interface supports the Bluetooth UART HCI (H4) specification. The default baud rate for H4 is 115.2 kbaud.

The UART clock default setting is 24 MHz, and can be configured to run as high as 48 MHz to support up to 6 Mbps. The baud rate of the CYBT-X430XX-01 UART is controlled by two values. The first is a UART clock divisor (set in the DLBR register) that divides the UART clock by an integer multiple of 16. The second is a baud rate adjustment (set in the DHBR register) that is used to specify a number of UART clock cycles to stuff in the first or second half of each bit time. Up to eight UART cycles can be inserted into the first half of each bit time, and up to eight UART clock cycles can be inserted into the end of each bit time.

Table 8 contains example values to generate common baud rates with a 24 MHz UART clock.

**Table 8. Common Baud Rate Examples, 24 MHz Clock**

Baud Rate (bps)	Baud Rate Adjustment		Mode	Error (%)
	High Nibble	Low Nibble		
3M	0xFF	0xF8	High rate	0.00
2M	0xFF	0xF4	High rate	0.00
1M	0x44	0xFF	Normal	0.00
921600	0x05	0x05	Normal	0.16
460800	0x02	0x02	Normal	0.16
230400	0x04	0x04	Normal	0.16
115200	0x00	0x00	Normal	0.16
57600	0x00	0x00	Normal	0.16
38400	0x01	0x00	Normal	0.00

Table 9 contains example values to generate common baud rates with a 48 MHz UART clock.

**Table 9. Common Baud Rate Examples, 48 MHz Clock**

Baud Rate (bps)	High Rate	Low Rate	Mode	Error (%)
6M	0xFF	0xF8	High rate	0
4M	0xFF	0xF4	High rate	0
3M	0x0	0xFF	Normal	0
2M	0x44	0xFF	Normal	0
1.5M	0x0	0xFE	Normal	0
1M	0x0	0xFD	Normal	0
921600	0x22	0xFD	Normal	0.16
230400	0x0	0xF3	Normal	0.16
115200	0x1	0xE6	Normal	-0.08
57600	0x1	0xCC	Normal	0.04
38400	0x11	0xB2	Normal	0

Normally, the UART baud rate is set by a configuration record downloaded after reset. Support for changing the baud rate during normal HCI UART operation is included through a vendor-specific command that allows the host to adjust the contents of the baud rate registers.

The CYBT-X430XX-01 UART operates correctly with the host UART as long as the combined baud rate error of the two devices is within  $\pm 2\%$



## Peripheral UART Interface

The CYBT-X430XX-01 has a second UART that may be used to interface to other peripherals. This peripheral UART is accessed through the optional I/O ports, which can be configured individually and separately for each functional pin as shown in Table 5 and Table 6.

**Table 10. CYBT-X430XX-01 Peripheral UART**

Pin Name	pUART_TX	pUART_RX	pUART_CTS_N	pUART_RTS_N
Configured pin name	P0 (	P2	P3	P6
	P31	P33	–	P30

## PCM Interface

The CYBT-X430XX-01 includes a PCM interface that shares pins with the I<sup>2</sup>S interface. The PCM Interface on the CYBT-013033-01 can connect to linear PCM codec devices in master or slave mode. In master mode, the CYBT-013033-01 generates the PCM\_CLK and PCM\_SYNC signals. In slave mode, these signals are provided by another master on the PCM interface and are inputs to the CYBT-X430XX-01.

### Slot Mapping

The CYBT-X430XX-01 supports up to three simultaneous full-duplex SCO or eSCO channels through the PCM interface. These three channels are time-multiplexed onto the single PCM interface by using a time-slotting scheme where the 8 kHz or 16 kHz audio sample interval is divided into as many as 16 slots. The number of slots is dependent on the selected interface rate (128 kHz, 512 kHz, or 1024 kHz). The corresponding number of slots for these interface rate is 1, 2, 4, 8, and 16, respectively. Transmit and receive PCM data from an SCO channel is always mapped to the same slot. The PCM data output driver tristates its output on unused slots to allow other devices to share the same PCM interface signals. The data output driver tristates its output after the falling edge of the PCM clock during the last bit of the slot.

### Frame Synchronization

The CYBT-X430XX-01 supports both short- and long-frame synchronization in both master and slave modes. In short-frame synchronization mode, the frame synchronization signal is an active-high pulse at the audio frame rate that is a single-bit period in width and is synchronized to the rising edge of the bit clock. The PCM slave looks for a high on the falling edge of the bit clock and expects the first bit of the first slot to start at the next rising edge of the clock. In long-frame synchronization mode, the frame synchronization signal is again an active-high pulse at the audio frame rate; however, the duration is three bit periods and the pulse starts coincident with the first bit of the first slot.

### Data Formatting

The CYBT-X430XX-01 may be configured to generate and accept several different data formats. For conventional narrowband speech mode, the CYBT-X430XX-01 uses 13 of the 16 bits in each PCM frame. The location and order of these 13 bits can be configured to support various data formats on the PCM interface. The remaining three bits are ignored on the input and may be filled with 0s, 1s, a sign bit, or a programmed value on the output. The default format is 13-bit 2's complement data, left justified, and clocked MSB first.

### Burst PCM Mode

In this mode of operation, the PCM bus runs at a significantly higher rate of operation to allow the host to duty cycle its operation and save current. In this mode of operation, the PCM bus can operate at a rate of up to 24 MHz. This mode of operation is initiated with an HCI command from the host.

## Clock Frequencies

The CYBT-X430XX-01 has an integrated 24 MHz crystal on the module. There is no need to add an additional crystal oscillator.

## GPIO Port

The CYBT-X430XX-01 has 24 general-purpose I/Os (GPIOs). All GPIOs support programmable pull-ups and are capable of driving up to 8 mA at 3.3V or 4 mA at 1.8V, except chip P26, P27, P28, and P29, which are capable of driving up to 16 mA at 3.3V or 8 mA at 1.8V.

The Following GPIOs on the module pads are available:

- PAD 11 GPIO\_0: GPIO\_0/P36/P38 (triple bonded; only one of three is available)
- PAD 12 GPIO\_1: GPIO\_1/P25/P32 (triple bonded; only one of three is available)
- PAD 22 GPIO\_3: GPIO\_3/P27/P33 (triple bonded; only one of three is available)
- PAD 14 GPIO\_4: GPIO\_4/LPO\_IN/P6/P31 (quadruple bonded; only of four is available)
- PAD 23 GPIO\_6: GPIO\_6/P11/P26 (triple bonded; only one of three is available)
- PAD 19 GPIO\_7: GPIO\_7/P30 (Dual bonded; only one of two is available)
- PAD 15 P4/P24: BT\_CLK\_REQ/P4/P24 (triple bonded; only one of three is available)
- PAD 4 I2C\_SDA: I2S\_PCM\_IN/P12 (dual bonded; only one of two is available)
- PAD 2 I2C\_SCL: I2S\_PCM\_OUT/P3/P29/P35 (quadruple bonded; only one of four is available)
- PAD 5 P2/P37/P28: I2S\_PCM\_CLK/P2/P28/P37 (quadruple bonded; only one of four is available)
- PAD 1 P0/P34: I2S\_WS\_PCM\_SYNC/P0/P34 (triple bonded; only on

All of these pins can be programmed as ADC inputs.

### Port 26–Port 29 in PAD 23/PAD 22/PAD 5/PAD 2

P[26:29] in PAD 23/PAD 22/PAD 5/PAD 2 consists of four pins. All pins are capable of sinking up to 16 mA for LEDs. These pins also have PWM functionality, which can be used for LED dimming.

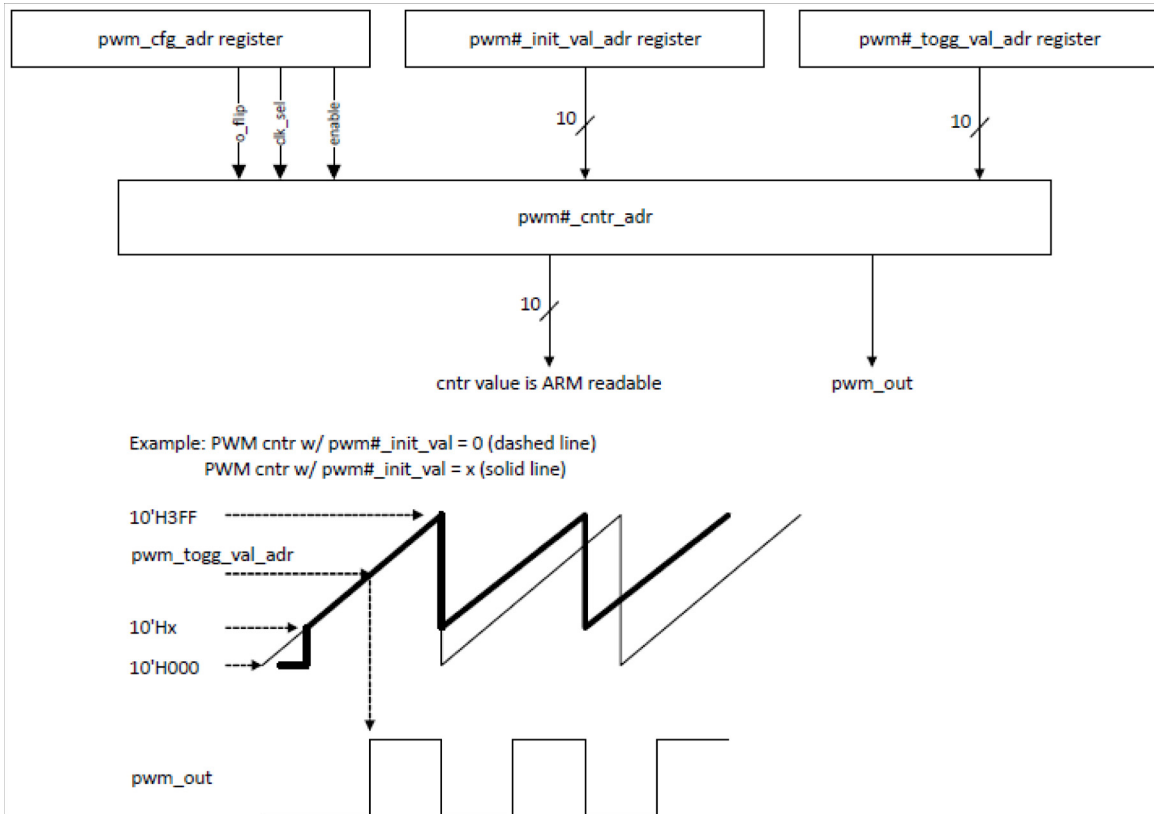
For a description of the capabilities of all GPIOs, see [Table 4](#) and [Table 5](#).

## PWM

The CYBT-X430XX-01 has four PWMs. The PWM module consists of the following:

- PWM0-3
- The following GPIOs can be mapped as PWMs, module pad shown in [ ]:
  - P26 on P12/P26 [Pad 5]
  - P27 on P11/P27 [Pad 4]
  - P14 on P14/P38 [Pad 7]
  - P13 on P13/P28 [Pad 8]
- PWM1-4: Each of the four PWM channels contains the following registers:
  - 10-bit initial value register (read/write)
  - 10-bit toggle register (read/write)
  - 10-bit PWM counter value register (read)
- PWM configuration register shared among PWM1-4 (read/write). This 12-bit register is used:
  - To configure each PWM channel
  - To select the clock of each PWM channel
  - To change the phase of each PWM channel

[Figure 11](#) shows the structure of one PWM.

**Figure 11. PWM Block Diagram**


## Triac Control/PWM

The CYBT-X430XX-01 includes hardware support for zero-crossing detection and trigger control for up to two triacs (PAD 22/23). The CYBT-X430XX-01 detects zero-crossing on the AC zero detection line and uses that to provide a pulse that is offset from the zero crossing. This allows the CYBT-X430XX-01 to be used in dimmer applications, as well as any other applications that require a control signal that is offset from an input event.

The zero-crossing hardware includes an option to suppress glitches.

## Serial Peripheral Interface

The CYBT-X430XX-01 has two independent SPI interfaces. One is a master-only interface (SPI2) and the other (SPI1) can be either a master or a slave. Each interface has a 64-byte transmit buffer and a 64-byte receive buffer. To support more flexibility for user applications, the CYBT-X430XX-01 has optional I/O ports that can be configured individually and separately for each functional pin. The CYBT-X430XX-01 acts as an SPI master device that supports 1.8V or 3.3V SPI slaves. The CYBT-X430XX-01 can also act as an SPI slave device that supports a 1.8V or 3.3V SPI master.

SPI voltage depends on VDD; therefore, it defines the type of devices that can be supported.

## Power Management Unit

The Power Management Unit (PMU) provides power management features that can be invoked by software through power management registers or packet-handling in the baseband core.

## RF Power Management

The BBC generates power-down control signals for the transmit path, receive path, PLL, and power amplifier to the 2.4 GHz transceiver, which then processes the power-down functions accordingly.

### Host Controller Power Management

Power is automatically managed by the firmware based on input device activity. As a power-saving task, the firmware controls the disabling of the on-chip regulator when in deep sleep (HIDOFF) mode.

### BBC Power Management

There are several low-power operations for the BBC:

- Physical layer packet handling turns RF on and off dynamically within packet TX and RX.
- Bluetooth-specified low-power connection mode. While in these low-power connection modes, the CYBT-X430XX-01 runs on the Low Power Oscillator and wakes up after a predefined time period.

The CYBT-X430XX-01 automatically adjusts its power dissipation based on user activity. The following power modes are supported:

- Active mode
- Idle mode
- Sleep mode
- HIDOFF (Deep Sleep) mode

The CYBT-X430XX-01 transitions to the next lower state after a programmable period of user inactivity. Busy mode is immediately entered when user activity resumes.

In HIDOFF (Deep Sleep) mode, the CYBT-X430XX-01 baseband and core are powered off by disabling power to LDOOUT. The VDDO domain remains powered up and will turn the remainder of the chip on when it detects user events. This mode minimizes chip power consumption and is intended for long periods of inactivity.





## Electrical Characteristics

Table 11 shows the maximum electrical rating for voltages referenced to VDD pin.

**Table 11. Maximum Electrical Rating**

Rating	Symbol	Value	Unit
VDDIN	–	3.795	V
Voltage on input or output pin	–	V <sub>SS</sub> – 0.3 to V <sub>DD</sub> + 0.3	V
Operating ambient temperature range	T <sub>opr</sub>	–30 to +85	°C
Storage temperature range	T <sub>stg</sub>	–40 to +125	°C

Table 12 shows the power supply characteristics for the range T<sub>J</sub> = 0 to 125 °C.

**Table 12. Power Supply**

Parameter	Description	Minimum <sup>1</sup>	Typical	Maximum <sup>1</sup>	Unit
V <sub>DDIN</sub>	Power Supply Input for CYBT-34302X-01	2.30	–	3.6	V
V <sub>DDIN</sub>	Power Supply Input for CYBT-143038-01	1.62	–	3.6	V

1. Overall performance degrades beyond minimum and maximum supply voltages.

Table 13 shows the specifications for the digital voltage levels.

**Table 13. Digital Levels**

Characteristics	Symbol	Min	Typ	Max	Unit
Input low voltage	V <sub>IL</sub>	–	–	0.8	V
Input high voltage	V <sub>IH</sub>	2.0	–	–	V
Output low voltage	V <sub>OL</sub>	–	–	0.4	V
Output high voltage	V <sub>OH</sub>	V <sub>DD</sub> – 0.4	–	–	V
Input capacitance (VDDMEM domain)	C <sub>IN</sub>	–	–	0.4	pF

Table 9 shows the current consumption measurements

**Table 14. Bluetooth, BLE, BR and EDR Current Consumption, Class 1**

Mode	Remarks	Typ.	Unit
<b>3DH5/3DH5</b>	–	37.10	mA
<b>BLE</b>			
■ BLE	Connected 600 ms interval	211	?A
■ BLE ADV	Unconnectable 1.00 sec	176	?A
■ BLE Scan	No devices present. A 1.28 second interval with a scan window of 11.25 ms	355	?A
<b>DMx/DHx</b>			
■ DM1/DH1	–	32.15	mA
■ DM3/DH3	–	38.14	mA
■ DM5/DH5	–	38.46	mA
<b>HIDOFF</b>	Deep sleep	2.69	?A
<b>Page scan</b>	Periodic scan rate is 1.28 sec	0.486	mA
<b>Receive</b>			
■ 1 Mbps	Peak current level during reception of a basic-rate packet.	26.373	mA
■ EDR	Peak current level during the reception of a 2 or 3 Mbps rate packet.	26.373	mA



**Table 14. Bluetooth, BLE, BR and EDR Current Consumption, Class 1**

<b>Sniff Slave</b>			
■ 11.25 ms	–	4.95	mA
■ 22.5 ms	–	2.6	mA
■ 495.00 ms	Based on one attempt and no timeout.	254	?A
<b>Transmit</b>			
■ 1 Mbps	Peak current level during the transmission of a basic-rate packet: GFSK output power = 10 dBm.	60.289	mA
■ EDR	Peak current level during the transmission of a 2 or 3 Mbps rate packet. EDR output power = 8 dBm.	52.485	mA

**Table 15. Bluetooth and BLE Current Consumption, Class 2 (0 dBm)**

<b>Mode</b>	<b>Remarks</b>	<b>Typ.</b>	<b>Unit</b>
<b>3DH5/3DH5</b>	–	31.57	mA
<b>BLE</b>			
■ BLE ADV	Unconnectable 1.00 sec	174	?A
■ BLE Scan	No devices present. A 1.28 second interval with a scan window of 11.25 ms	368	?A
<b>DMx/DHx</b>			
■ DM1/DH1	–	27.5	mA
■ DM3/DH3	–	31.34	mA
■ DM5/DH5	–	32.36	mA



**PRELIMINARY**

## RF Specifications

All specifications in Table 16 are for industrial temperatures and are single-ended. Unused inputs are left open.

**Table 16. Receiver RF Specifications**

Parameter	Conditions	Minimum	Typical <sup>1</sup>	Maximum	Unit
<b>General</b>					
Frequency range	–	2402	–	2480	MHz
RX sensitivity <sup>2</sup>	GFSK, 0.1% BER, 1 Mbps	–	–93.5	–	dBm
	LE GFSK, 0.1% BER, 1 Mbps	–	–96.5	–	dBm
	$\pi/4$ -DQPSK, 0.01% BER, 2 Mbps	–	–95.5	–	dBm
	8-DPSK, 0.01% BER, 3 Mbps	–	–89.5	–	dBm
Maximum input	GFSK, 1 Mbps	–	–	–20	dBm
Maximum input	$\pi/4$ -DQPSK, 8-DPSK, 2/3 Mbps	–	–	–20	dBm
<b>Interference Performance</b>					
C/I cochannel	GFSK, 0.1% BER	–	9.5	11	dB
C/I 1 MHz adjacent channel	GFSK, 0.1% BER	–	–5	0	dB
C/I 2 MHz adjacent channel	GFSK, 0.1% BER	–	–40	–30.0	dB
C/I $\geq$ 3 MHz adjacent channel	GFSK, 0.1% BER	–	–49	–40.0	dB
C/I image channel	GFSK, 0.1% BER	–	–27	–9.0	dB
C/I 1 MHz adjacent to image channel	GFSK, 0.1% BER	–	–37	–20.0	dB
C/I cochannel	$\pi/4$ -DQPSK, 0.1% BER	–	11	13	dB
C/I 1 MHz adjacent channel	$\pi/4$ -DQPSK, 0.1% BER	–	–8	0	dB
C/I 2 MHz adjacent channel	$\pi/4$ -DQPSK, 0.1% BER	–	–40	–30.0	dB
C/I $\geq$ 3 MHz adjacent channel	8-DPSK, 0.1% BER	–	–50	–40.0	dB
C/I image channel	$\pi/4$ -DQPSK, 0.1% BER	–	–27	–7.0	dB
C/I 1 MHz adjacent to image channel	$\pi/4$ -DQPSK, 0.1% BER	–	–40	–20.0	dB
C/I cochannel	8-DPSK, 0.1% BER	–	17	21	dB
C/I 1 MHz adjacent channel	8-DPSK, 0.1% BER	–	–5	5	dB
C/I 2 MHz adjacent channel	8-DPSK, 0.1% BER	–	–40	–25.0	dB
C/I $\geq$ 3 MHz adjacent channel	8-DPSK, 0.1% BER	–	–47	–33.0	dB
C/I Image channel	8-DPSK, 0.1% BER	–	–20	0	dB
C/I 1 MHz adjacent to image channel	8-DPSK, 0.1% BER	–	–35	–13.0	dB
<b>Out-of-Band Blocking Performance (CW)<sup>3</sup></b>					
30 MHz–2000 MHz	0.1% BER	–	–10.0	–	dBm
2000–2399 MHz	0.1% BER	–	–27	–	dBm
2498–3000 MHz	0.1% BER	–	–27	–	dBm
3000 MHz–12.75 GHz	0.1% BER	–	–10.0	–	dBm



**PRELIMINARY**

**Table 16. Receiver RF Specifications** (continued)

Parameter	Conditions	Minimum	Typical <sup>1</sup>	Maximum	Unit
<b>Out-of-Band Blocking Performance, Modulated Interferer</b>					
776–764 MHz	CDMA	–	–10 <sup>4</sup>	–	dBm
824–849 MHz	CDMA	–	–10<Superscript>4	–	dBm
1850–1910 MHz	CDMA	–	–23<Superscript>4	–	dBm
824–849 MHz	EDGE/GSM	–	–10<Superscript>4	–	dBm
880–915 MHz	EDGE/GSM	–	–10<Superscript>4	–	dBm
1710–1785 MHz	EDGE/GSM	–	–23<Superscript>4	–	dBm
1850–1910 MHz	EDGE/GSM	–	–23<Superscript>4	–	dBm
1850–1910 MHz	WCDMA	–	–23<Superscript>4	–	dBm
1920–1980 MHz	WCDMA	–	–23<Superscript>4	–	dBm
<b>Intermodulation Performance<sup>5</sup></b>					
BT, Df = 5 MHz	–	–39.0	–	–	dBm
<b>Spurious Emissions<sup>6</sup></b>					
30 MHz to 1 GHz	–	–	–	–62	dBm
1 GHz to 12.75 GHz	–	–	–	–47	dBm
65 MHz to 108 MHz	FM Rx	–	–147	–	dBm/Hz
746 MHz to 764 MHz	CDMA	–	–147	–	dBm/Hz
851–894 MHz	CDMA	–	–147	–	dBm/Hz
925–960 MHz	EDGE/GSM	–	–147	–	dBm/Hz
1805–1880 MHz	EDGE/GSM	–	–147	–	dBm/Hz
1930–1990 MHz	PCS	–	–147	–	dBm/Hz
2110–2170 MHz	WCDMA	–	–147	–	dBm/Hz

1. Typical operating conditions are 1.22V operating voltage and 25°C ambient temperature.
2. The receiver sensitivity is measured at BER of 0.1% on the device interface.
3. Meets this specification using front-end band pass filter.
4. Numbers are referred to the pin output with an external BPF filter.
5. f<sub>0</sub> = -64 dBm Bluetooth-modulated signal, f<sub>1</sub> = -39 dBm sine wave, f<sub>2</sub> = -39 dBm Bluetooth-modulated signal, f<sub>0</sub> = 2f<sub>1</sub> – f<sub>2</sub>, and |f<sub>2</sub> – f<sub>1</sub>| = n\*1 MHz, where n is 3, 4, or 5. For the typical case, n = 4.
6. Includes baseband radiated emissions.



**PRELIMINARY**

**Table 17. Transmitter RF Specifications**

Parameter	Conditions	Minimum	Typical	Maximum	Unit
<b>General</b>					
Frequency range	–	2402	–	2480	MHz
Class1: GFSK Tx power <sup>1</sup>	–	–	12	–	dBm
Class1: EDR Tx power <sup>2</sup>	–	–	9	–	dBm
Class 2: GFSK Tx power	–	–	2	–	dBm
Power control step	–	2	4	8	dB
<b>Modulation Accuracy</b>					
$\pi/4$ -DQPSK Frequency Stability	–	–10	–	10	kHz
$\pi/4$ -DQPSK RMS DEVM	–	–	–	20	%
$\pi/4$ -QPSK Peak DEVM	–	–	–	35	%
$\pi/4$ -DQPSK 99% DEVM	–	–	–	30	%
8-DPSK frequency stability	–	–10	–	10	kHz
8-DPSK RMS DEVM	–	–	–	13	%
8-DPSK Peak DEVM	–	–	–	25	%
8-DPSK 99% DEVM	–	–	–	20	%
<b>In-Band Spurious Emissions</b>					
1.0 MHz <  M – N  < 1.5 MHz	–	–	–	–26	dBc
1.5 MHz <  M – N  < 2.5 MHz	–	–	–	–20	dBm
M – N  $\geq$ 2.5 MHz	–	–	–	–40	dBm
<b>Out-of-Band Spurious Emissions</b>					
30 MHz to 1 GHz	–	–	–	–36.0 <sup>3</sup>	dBm
1 GHz to 12.75 GHz	–	–	–	–30.0 <sup>&lt;Superscript&gt;3, 4</sup>	dBm
1.8 GHz to 1.9 GHz	–	–	–	–47.0	dBm
5.15 GHz to 5.3 GHz	–	–	–	–47.0	dBm

1. TBD dBm output for GFSK measured with PAVDD = 2.5V.
2. TBD dBm output for EDR measured with PAVDD = 2.5V.
3. Maximum value is the value required for Bluetooth qualification.
4. Meets this spec using a front-end band-pass filter.

**Table 18. BLE RF Specifications**

Parameter	Conditions	Minimum	Typical	Maximum	Unit
Frequency range	N/A	2402	–	2480	MHz
Rx sense <sup>1</sup>	GFSK, 0.1% BER, 1 Mbps	–	–96.5	–	dBm
Tx power <sup>2</sup>	N/A	–	9	–	dBm
Mod Char: Delta F1 average	N/A	225	255	275	kHz
Mod Char: Delta F2 max <sup>3</sup>	N/A	99.9	–	–	%
Mod Char: Ratio	N/A	0.8	0.95	–	%

1. Dirty Tx is Off.
2. The BLE Tx power can be increased to compensate for front-end losses such as BPF, diplexer, switch, etc. The output is capped at 12 dBm out. The BLE Tx power at the antenna port cannot exceed the 10 dBm EIRP specification limit.
3. At least 99.9% of all delta F2 max frequency values recorded over 10 packets must be greater than 185 kHz.

## Timing and AC Characteristics

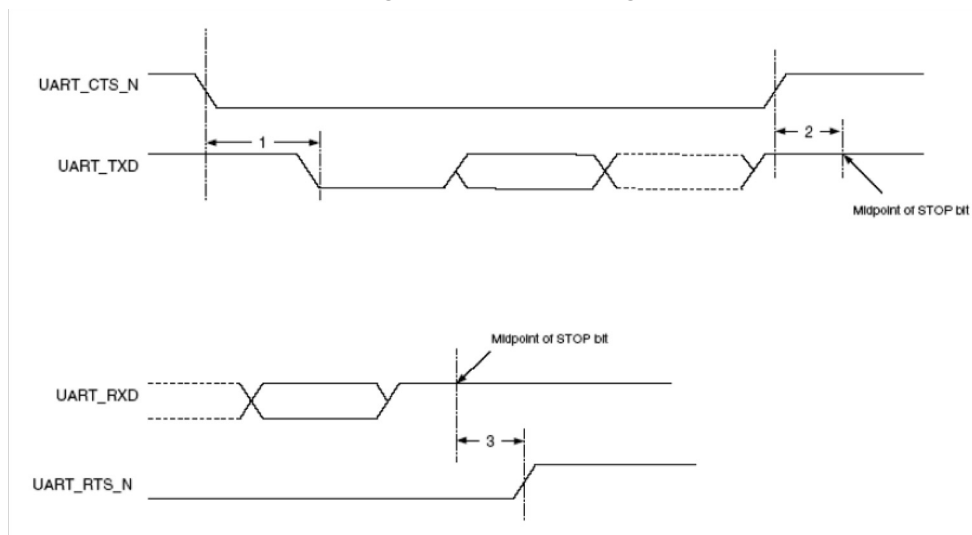
In this section, use the numbers listed in the **Reference** column of each table to interpret the following timing diagrams.

### UART Timing

Table 19. UART Timing Specifications

Reference	Characteristics	Min	Max	Unit
1	Delay time, UART_CTS_N low to UART_TXD valid	–	24	Baud out cycles
2	Setup time, UART_CTS_N high before midpoint of stop bit	–	10	ns
3	Delay time, midpoint of stop bit to UART_RTS_N high	–	2	Baud out cycles

Figure 12. UART Timing



### SPI Timing

The SPI interface supports clock speeds up to 12 MHz

Table 20 and Figure 13 show the timing requirements when operating in SPI Mode 0 and 2, and SPI Mode 1 and 3, respectively.

**Table 20. SPI Mode 0 and 2**

Reference	Characteristics	Minimum	Maximum	Unit
1	Time from slave assert SPI_INT to master assert SPI_CSN (DirectRead)	0	?	ns
2	Time from master assert SPI_CSN to slave assert SPI_INT (DirectWrite)	0	?	ns
3	Time from master assert SPI_CSN to first clock edge	20	?	ns
4	Setup time for MOSI data lines	8	$\frac{\langle FmNumerator \rangle}{\rangle 1 / \langle FmDenominator \rangle} > 2$ SCK	ns
5	Hold time for MOSI data lines	8	$\frac{\langle FmNumerator \rangle}{\rangle 1 / \langle FmDenominator \rangle} > 2$ SCK	ns
6	Time from last sample on MOSI/MISO to slave deassert SPI_INT	0	100	ns
7	Time from slave deassert SPI_INT to master deassert SPI_CSN	0	?	ns
8	Idle time between subsequent SPI transactions	1 SCK	?	ns

**Figure 13. SPI Timing – Mode 0 and 2**

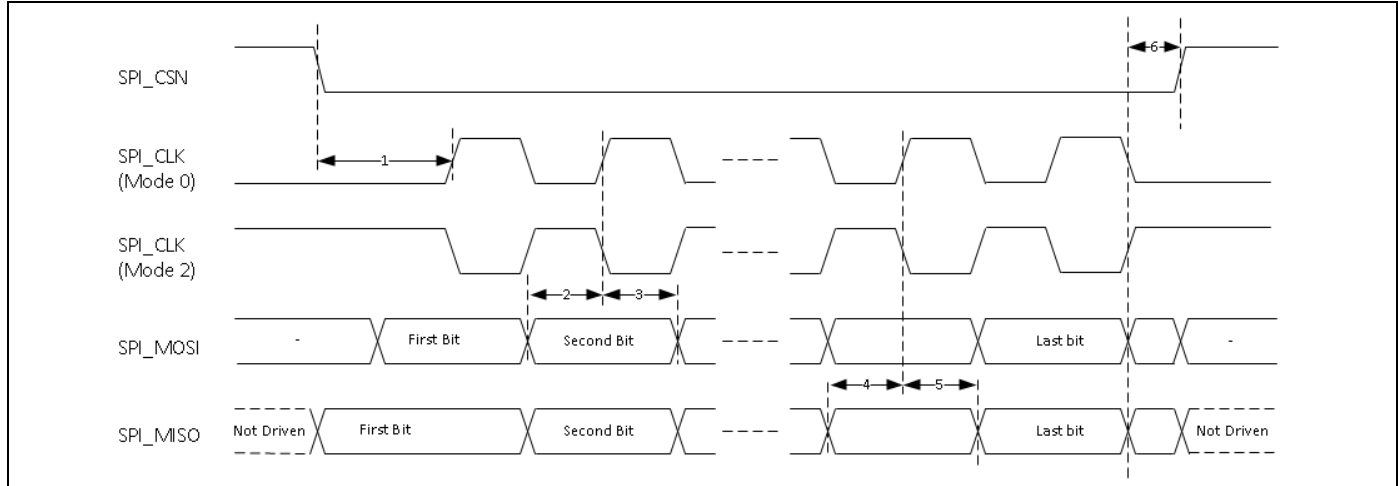
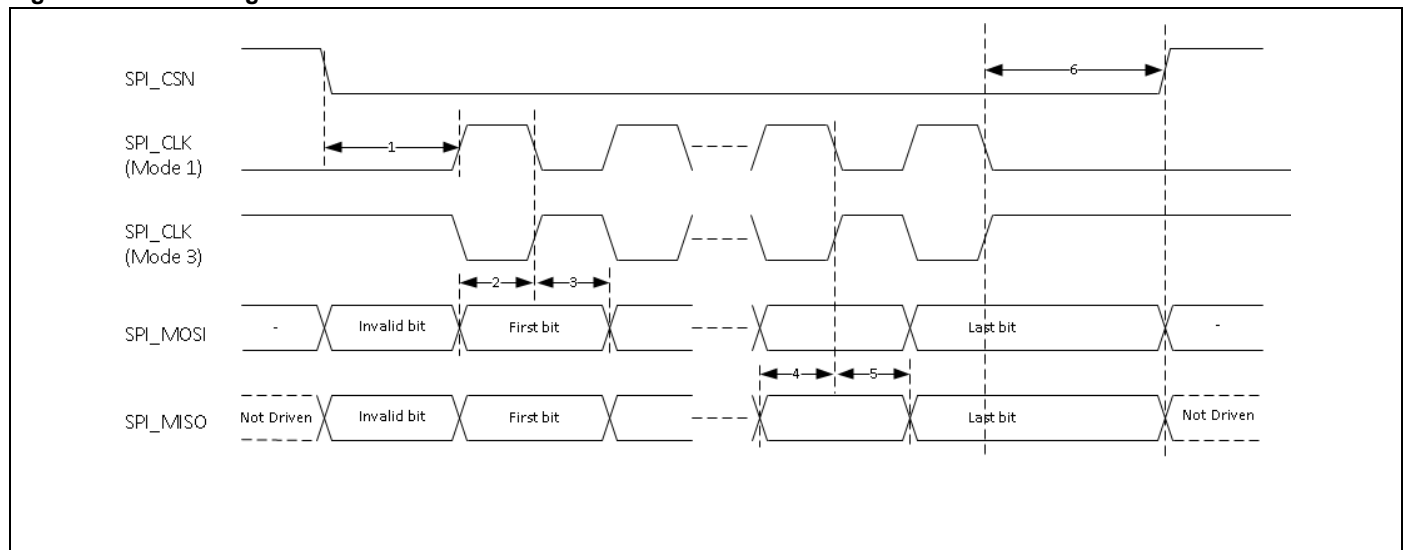


Table 21 and Figure 14 show the timing requirements when operating in SPI Mode 1 and 3.

**Table 21. SPI Mode 1 and 3**

Reference	Characteristics	Minimum	Maximum	Unit
1	Time from slave assert SPI_INT to master assert SPI_CSN (DirectRead)	0	?	ns
2	Time from master assert SPI_CSN to slave assert SPI_INT (DirectWrite)	0	?	ns
3	Time from master assert SPI_CSN to first clock edge	20	?	ns
4	Setup time for MOSI data lines	8	$\frac{\langle FmNumerator \rangle 1}{\langle FmDenominator \rangle 2} SCK$	ns
5	Hold time for MOSI data lines	8	$\frac{\langle FmNumerator \rangle 1}{\langle FmDenominator \rangle 2} SCK$	ns
6	Time from last sample on MOSI/MISO to slave deassert SPI_INT	0	100	ns
7	Time from slave deassert SPI_INT to master deassert SPI_CSN	0	?	ns
8	Idle time between subsequent SPI transactions	1 SCK	?	ns

**Figure 14. SPI Timing – Mode 1 and 3**




**BSC Interface Timing**

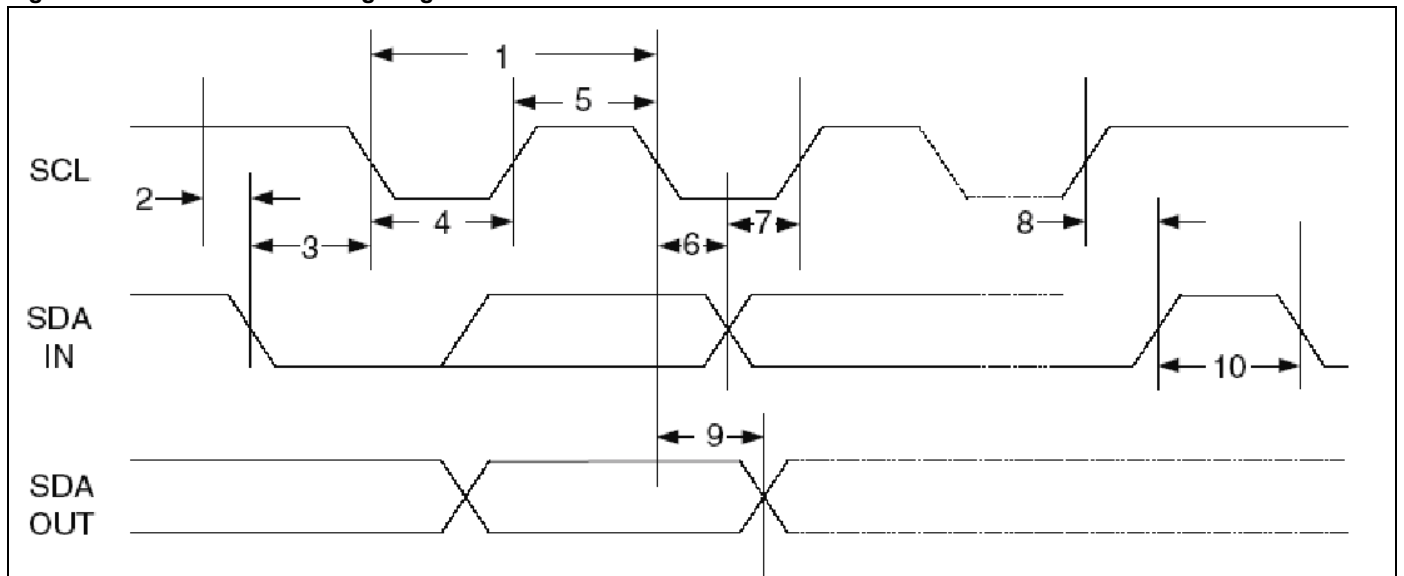
**Table 22. BSC Interface Timing Specifications**

Reference	Characteristics	Min	Max	Unit
1	Clock frequency	-	100	kHz
			400	
			800	
			1000	
2	START condition setup time	650	-	ns
3	START condition hold time	280	-	ns
4	Clock low time	650	-	ns
5	Clock high time	280	-	ns
6	Data input hold time <sup>1</sup>	0	-	ns
7	Data input setup time	100	-	ns
8	STOP condition setup time	280	-	ns
9	Output valid from clock	-	400	ns
10	Bus free time <sup>2</sup>	650	-	ns

1. As a transmitter, 125 ns of delay is provided to bridge the undefined region of the falling edge of SCL to avoid unintended generation of START or STOP conditions.

2. Time that the cbus must be free before a new transaction can start.

**Figure 15. BSC Interface Timing Diagram**



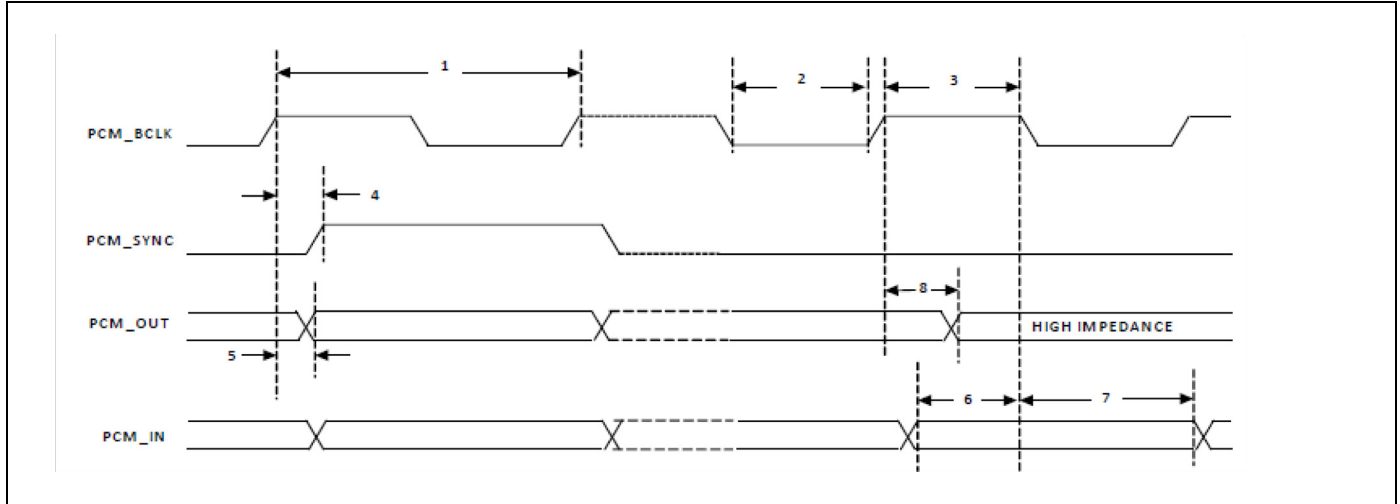


**PRELIMINARY**

**PCM Interface Timing**

*Short Frame Sync, Master Mode*

**Figure 16. PCM Timing Diagram (Short Frame Sync, Master Mode)**



**Table 23. PCM Interface Timing Specifications (Short Frame Sync, Master Mode)**

Reference	Characteristics	Minimum	Typical	Maximum	Unit
1	PCM bit clock frequency	–	–	20.0	MHz
2	PCM bit clock LOW	20.0	–	–	ns
3	PCM bit clock HIGH	20.0	–	–	ns
4	PCM_SYNC delay	0	–	5.7	ns
5	PCM_OUT delay	–0.4	–	5.6	ns
6	PCM_IN setup	16.9	–	–	ns
7	PCM_IN hold	25.0	–	–	ns
8	Delay from rising edge of PCM_BCLK during last bit period to PCM_OUT becoming high impedance	–0.4	–	5.6	ns



**PRELIMINARY**

Short Frame Sync, Slave Mode

Figure 17. PCM Timing Diagram (Short Frame Sync, Slave Mode)

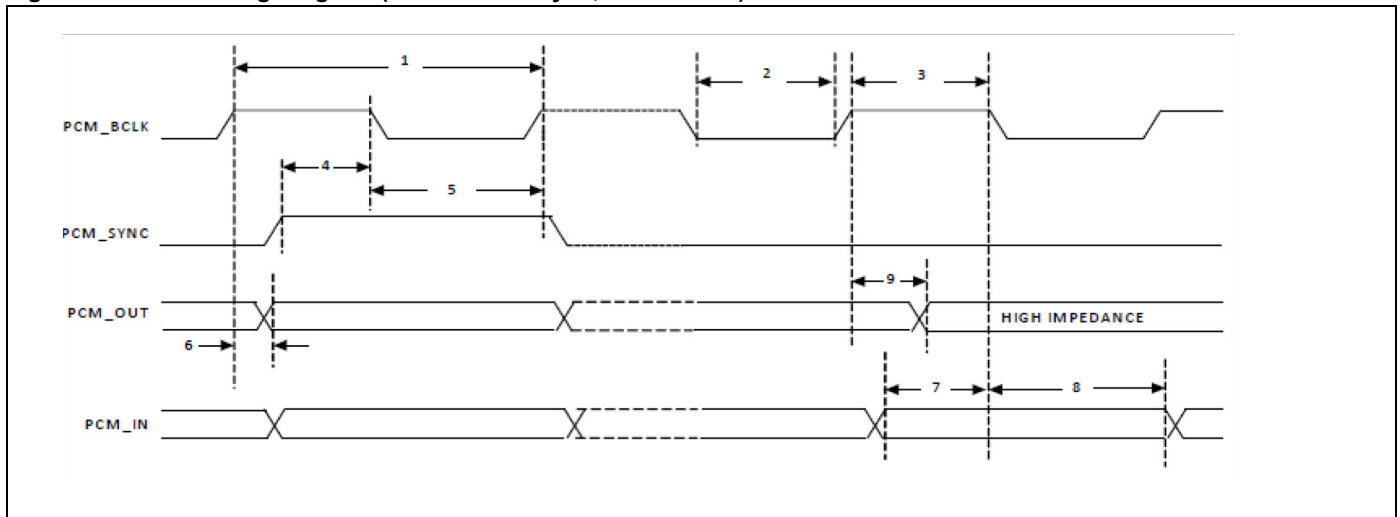
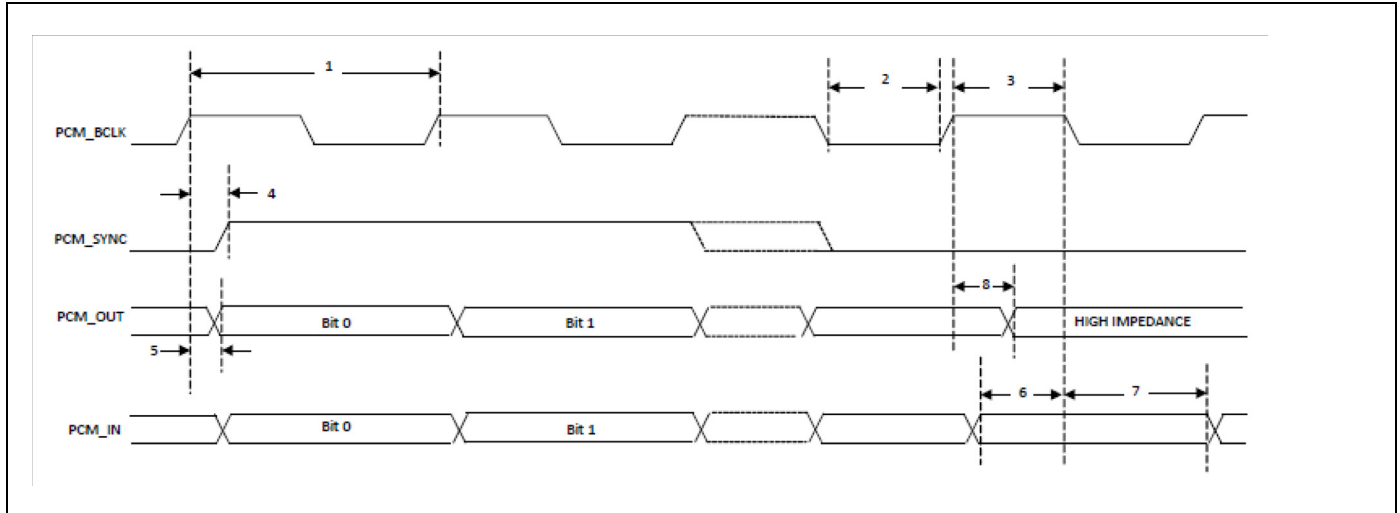


Table 24. PCM Interface Timing Specifications (Short Frame Sync, Slave Mode)

Reference	Characteristics	Minimum	Typical	Maximum	Unit
1	PCM bit clock frequency	–	–	TBD	MHz
2	PCM bit clock LOW	TBD	–	–	ns
3	PCM bit clock HIGH	TBD	–	–	ns
4	PCM_SYNC setup	TBD	–	–	ns
5	PCM_SYNC hold	TBD	–	–	ns
6	PCM_OUT delay	TBD	–	TBD	ns
7	PCM_IN setup	TBD	–	–	ns
8	PCM_IN hold	TBD	–	–	ns
9	Delay from rising edge of PCM_BCLK during last bit period to PCM_OUT becoming high impedance	TBD	–	TBD	ns

**Figure 18. PCM Timing Diagram (Long Frame Sync, Master Mode)**

**Table 25. PCM Interface Timing Specifications (Long Frame Sync, Master Mode)**

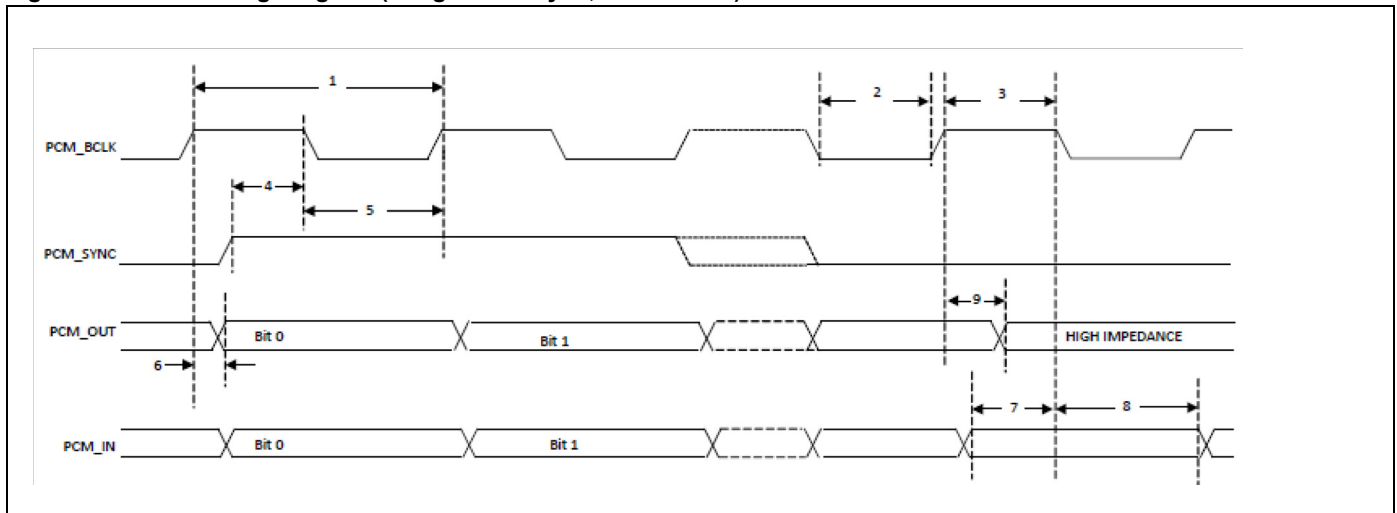
Reference	Characteristics	Minimum	Typical	Maximum	Unit
1	PCM bit clock frequency	–	–	TBD	MHz
2	PCM bit clock LOW	TBD	–	–	ns
3	PCM bit clock HIGH	TBD	–	–	ns
4	PCM_SYNC delay	TBD	–	TBD	ns
5	PCM_OUT delay	TBD	–	TBD	ns
6	PCM_IN setup	TBD	–	–	ns
7	PCM_IN hold	TBD	–	–	ns
8	Delay from rising edge of PCM_BCLK during last bit period to PCM_OUT becoming high impedance	TBD	–	TBD	ns



**PRELIMINARY**

Long Frame Sync, Slave Mode

**Figure 19. PCM Timing Diagram (Long Frame Sync, Slave Mode)**



**Table 26. PCM Interface Timing Specifications (Long Frame Sync, Slave Mode)**

Reference	Characteristics	Minimum	Typical	Maximum	Unit
1	PCM bit clock frequency	–	–	TBD	MHz
2	PCM bit clock LOW	TBD	–	–	ns
3	PCM bit clock HIGH	TBD	–	–	ns
4	PCM_SYNC setup	TBD	–	–	ns
5	PCM_SYNC hold	TBD	–	–	ns
6	PCM_OUT delay	TBD	–	TBD	ns
7	PCM_IN setup	TBD	–	–	ns
8	PCM_IN hold	TBD	–	–	ns
9	Delay from rising edge of PCM_BCLK during last bit period to PCM_OUT becoming high impedance	TBD	–	TBD	ns



## I<sup>2</sup>S Interface Timing

The I<sup>2</sup>S interface supports both master and slave modes. The I<sup>2</sup>S signals are:

- I<sup>2</sup>S clock: I<sup>2</sup>S SCK
- I<sup>2</sup>S Word Select: I<sup>2</sup>S WS
- I<sup>2</sup>S Data Out: I<sup>2</sup>S SDO
- I<sup>2</sup>S Data In: I<sup>2</sup>S SDI

I<sup>2</sup>S SCK and I<sup>2</sup>S WS become outputs in master mode and inputs in slave mode, while I<sup>2</sup>S SDO always stays as an output. The channel word length is 16 bits and the data is justified so that the MSB of the left-channel data is aligned with the MSB of the I<sup>2</sup>S bus, per the I<sup>2</sup>S specification. The MSB of each data word is transmitted one bit clock cycle after the I<sup>2</sup>S WS transition, synchronous with the falling edge of bit clock. Left-channel data is transmitted when I<sup>2</sup>S WS is low, and right-channel data is transmitted when I<sup>2</sup>S WS is high. Data bits sent by the CYBT-013033-01 are synchronized with the falling edge of I2S\_SCK and should be sampled by the receiver on the rising edge of I2S\_SSCK.

The clock rate in master mode is either of the following:

- 48 kHz x 32 bits per frame = 1.536 MHz
- 48 kHz x 50 bits per frame = 2.400 MHz

The master clock is generated from the input reference clock using a N/M clock divider. In the slave mode, any clock rate is supported to a maximum of 3.072 MHz. Timing values specified in Table 27 are relative to high and low threshold levels.

**Table 27. Timing for I<sup>2</sup>S Transmitters and Receivers**

	Transmitter				Receiver				Notes
	Lower Limit		Upper Limit		Lower Limit		Upper Limit		
	Min	Max	Min	Max	Min	Max	Min	Max	
Clock Period T	T <sub>tr</sub>	–	–	–	T <sub>r</sub>	–	–	–	1
<b>Master Mode: Clock generated by transmitter or receiver</b>									
HIGH t <sub>HC</sub>	0.35T <sub>tr</sub>	–	–	–	0.35T <sub>tr</sub>	–	–	–	2
LOW t <sub>LC</sub>	0.35T <sub>tr</sub>	–	–	–	0.35T <sub>tr</sub>	–	–	–	2
<b>Slave Mode: Clock accepted by transmitter or receiver</b>									
HIGH t <sub>HC</sub>	–	0.35T <sub>tr</sub>	–	–	–	0.35T <sub>tr</sub>	–	–	3
LOW t <sub>LC</sub>	–	0.35T <sub>tr</sub>	–	–	–	0.35T <sub>tr</sub>	–	–	3
Rise time t <sub>RC</sub>	–	–	0.15T <sub>tr</sub>	–	–	–	–	–	4
<b>Transmitter</b>									
Delay t <sub>dtr</sub>	–	–	–	0.8T	–	–	–	–	5
Hold time t <sub>htr</sub>	0	–	–	–	–	–	–	–	5
<b>Receiver</b>									
Setup time t <sub>sr</sub>	–	–	–	–	–	0.2T <sub>r</sub>	–	–	6
Hold time t <sub>hr</sub>	–	–	–	–	–	0	–	–	6

1. The system clock period T must be greater than T<sub>tr</sub> and T<sub>r</sub> because both the transmitter and receiver have to be able to handle the data transfer rate.
2. At all data rates in master mode, the transmitter or receiver generates a clock signal with a fixed mark/space ratio. For this reason, t<sub>HC</sub> and t<sub>LC</sub> are specified with respect to T.
3. In slave mode, the transmitter and receiver need a clock signal with minimum HIGH and LOW periods so that they can detect the signal. So long as the minimum periods are greater than 0.35T<sub>r</sub>, any clock that meets the requirements can be used.
4. Because the delay (t<sub>dtr</sub>) and the maximum transmitter speed (defined by T<sub>tr</sub>) are related, a fast transmitter driven by a slow clock edge can result in t<sub>dtr</sub> not exceeding t<sub>RC</sub> which means t<sub>htr</sub> becomes zero or negative. Therefore, the transmitter has to guarantee that t<sub>htr</sub> is greater than or equal to zero, so long as the clock rise-time t<sub>RC</sub> is not more than t<sub>RCmax</sub>, where t<sub>RCmax</sub> is not less than 0.15T<sub>tr</sub>.
5. To allow data to be clocked out on a falling edge, the delay is specified with respect to the rising edge of the clock signal and T, always giving the receiver sufficient setup time.
6. The data setup and hold time must not be less than the specified receiver setup and hold time.



## Environmental Specifications

### Environmental Compliance

This CYBT-X430XX-01 BLE module is produced in compliance with the Restriction of Hazardous Substances (RoHS) and Halogen-Free (HF) directives. The Cypress module and components used to produce this module are RoHS and HF compliant.

### RF Certification

The CYBT-X430XX-01 module will be certified under the following RF certification standards at production release.

- FCC: WAP3026
- CE
- IC: 7922A-3026
- MIC: TBD

### Safety Certification

The CYBT-X430XX-01 module complies with the following safety regulations:

- Underwriters Laboratories, Inc. (UL): Filing E331901
- CSA
- TUV

### Environmental Conditions

Table 28 describes the operating and storage conditions for the Cypress BLE module.

Table 28. Environmental Conditions for CYBT-X430XX-01

Description	Minimum Specification	Maximum Specification
Operating temperature	-30 °C	85 °C
Operating humidity (relative, non-condensation)	5%	85%
Thermal ramp rate	-	3 °C/minute
Storage temperature	-40 °C	85 °C
Storage temperature and humidity	-	85 °C at 85%
ESD: Module integrated into system Components <sup>[4]</sup>	-	15 kV Air 2.0 kV Contact

### ESD and EMI Protection

Exposed components require special attention to ESD and electromagnetic interference (EMI).

A grounded conductive layer inside the device enclosure is suggested for EMI and ESD performance. Any openings in the enclosure near the module should be surrounded by a grounded conductive layer to provide ESD protection and a low-impedance path to ground.

**Device Handling:** Proper ESD protocol must be followed in manufacturing to ensure component reliability.

**Note**

4. This does not apply to the RF pins (ANT).



**PRELIMINARY**

**CYBT-343026-01**

**CYBT-343029-01**

**CYBT-143038-01**

## Regulatory Information

### FCC

#### FCC NOTICE:

The device CYBT-X430XX-01 complies with Part 15 of the FCC Rules. The device meets the requirements for modular transmitter approval as detailed in FCC public Notice DA00-1407. transmitter Operation is subject to the following two conditions: (1) This device may not cause harmful interference, and (2) This device must accept any interference received, including interference that may cause undesired operation.

#### CAUTION:

The FCC requires the user to be notified that any changes or modifications made to this device that are not expressly approved by Cypress Semiconductor may void the user's authority to operate the equipment.

This equipment has been tested and found to comply with the limits for a Class B digital device, pursuant to Part 15 of the FCC Rules. These limits are designed to provide reasonable protection against harmful interference in a residential installation. This equipment generates uses and can radiate radio frequency energy and, if not installed and used in accordance with the instructions, may cause harmful interference to radio communications. However, there is no guarantee that interference will not occur in a particular installation. If this equipment does cause harmful interference to radio or television reception, which can be determined by turning the equipment off and on, the user is encouraged to try to correct the interference by one or more of the following measures:

- Reorient or relocate the receiving antenna.
- Increase the separation between the equipment and receiver.
- Connect the equipment into an outlet on a circuit different from that to which the receiver is connected.
- Consult the dealer or an experienced radio/TV technician for help

#### LABELING REQUIREMENTS:

The Original Equipment Manufacturer (OEM) must ensure that FCC labelling requirements are met. This includes a clearly visible label on the outside of the OEM enclosure specifying the appropriate Cypress Semiconductor FCC identifier for this product as well as the FCC Notice above. The FCC identifier is FCC ID: WAP3026.

In any case the end product must be labeled exterior with "Contains FCC ID: WAP3026"

#### ANTENNA WARNING:

This device is tested with a standard SMA connector and with the antenna listed in [Table 7](#) on page 13. When integrated in the OEMs product, these fixed antennas require installation preventing end-users from replacing them with non-approved antennas. Any antenna not in the following table must be tested to comply with FCC Section 15.203 for unique antenna connectors and Section 15.247 for emissions.

#### RF EXPOSURE:

To comply with FCC RF Exposure requirements, the Original Equipment Manufacturer (OEM) must ensure to install the approved antenna in the previous.

The preceding statement must be included as a CAUTION statement in manuals, for products operating with the approved antenna in [Table 7](#) on page 13, to alert users on FCC RF Exposure compliance. Any notification to the end user of installation or removal instructions about the integrated radio module is not allowed.

The radiated output power of CYBT-X430XX-01 with the trace antenna is far below the FCC radio frequency exposure limits. Nevertheless, use CYBT-X430XX-01 in such a manner that minimizes the potential for human contact during normal operation.

End users may not be provided with the module installation instructions. OEM integrators and end users must be provided with transmitter operating conditions for satisfying RF exposure compliance.



**ISED****Innovation, Science and Economic Development Canada (ISED) Certification**

CYBT-X430XX-01 is licensed to meet the regulatory requirements of Innovation, Science and Economic Development Canada (ISED), License: ISED: 7922A-3026

Manufacturers of mobile, fixed or portable devices incorporating this module are advised to clarify any regulatory questions and ensure compliance for SAR and/or RF exposure limits. Users can obtain Canadian information on RF exposure and compliance from [www.ic.gc.ca](http://www.ic.gc.ca).

This device has been designed to operate with the antennas listed in [Table 7](#) on page 13, having a maximum gain of -0.5 dBi. Antennas not included in this list or having a gain greater than -0.5 dBi are strictly prohibited for use with this device. The required antenna impedance is 50 ohms. The antenna used for this transmitter must not be co-located or operating in conjunction with any other antenna or transmitter.

**ISED NOTICE:**

The device CYBT-X430XX-01 including the built-in trace antenna complies with Canada RSS-GEN Rules. The device meets the requirements for modular transmitter approval as detailed in RSS-GEN. Operation is subject to the following two conditions: (1) This device may not cause harmful interference, and (2) This device must accept any interference received, including interference that may cause undesired operation.

L'appareil CYBT-X430XX-01, y compris l'antenne intégrée, est conforme aux Règles RSS-GEN de Canada. L'appareil répond aux exigences d'approbation de l'émetteur modulaire tel que décrit dans RSS-GEN. L'opération est soumise aux deux conditions suivantes: (1) Cet appareil ne doit pas causer d'interférences nuisibles, et (2) Cet appareil doit accepter toute interférence reçue, y compris les interférences pouvant entraîner un fonctionnement indésirable.

**ISED INTERFERENCE STATEMENT FOR CANADA**

This device complies with Innovation, Science and Economic Development (ISED) Canada licence-exempt RSS standard(s). Operation is subject to the following two conditions: (1) this device may not cause interference, and (2) this device must accept any interference, including interference that may cause undesired operation of the device.

Cet appareil est conforme à la norme sur l'innovation, la science et le développement économique (ISED) norme RSS exempte de licence. L'exploitation est autorisée aux deux conditions suivantes : (1) l'appareil ne doit pas produire de brouillage, et (2) l'utilisateur de l'appareil doit accepter tout brouillage radioélectrique subi, même si le brouillage est susceptible d'en compromettre le fonctionnement.

**ISED RADIATION EXPOSURE STATEMENT FOR CANADA**

This equipment complies with ISED radiation exposure limits set forth for an uncontrolled environment.

Cet équipement est conforme aux limites d'exposition aux radiations ISED prévues pour un environnement incontrôlé.

**LABELING REQUIREMENTS:**

The Original Equipment Manufacturer (OEM) must ensure that ISED labelling requirements are met. This includes a clearly visible label on the outside of the OEM enclosure specifying the appropriate Cypress Semiconductor IC identifier for this product as well as the ISED Notices above. The IC identifier is 7922A-3026. In any case, the end product must be labeled in its exterior with "Contains IC: 7922A-3026"

### European Declaration of Conformity

Hereby, Cypress Semiconductor declares that the Bluetooth module CYBT-X430XX-01 complies with the essential requirements and other relevant provisions of Directive 2014. As a result of the conformity assessment procedure described in Annex III of the Directive 2014, the end-customer equipment should be labeled as follows:



All versions of the CYBT-X430XX-01 in the specified reference design can be used in the following countries: Austria, Belgium, Cyprus, Czech Republic, Denmark, Estonia, Finland, France, Germany, Greece, Hungary, Ireland, Italy, Latvia, Lithuania, Luxembourg, Malta, Poland, Portugal, Slovakia, Slovenia, Spain, Sweden, The Netherlands, the United Kingdom, Switzerland, and Norway.

### MIC Japan

CYBT-X430XX-01 is certified as a module with certification number TBD. End products that integrate CYBT-X430XX-01 do not need additional MIC Japan certification for the end product.

End product can display the certification label of the embedded module.

Model Name: EZ-BT WICED Module

Part Number: CYBT-X430XX-01

Manufactured by Cypress Semiconductor.



**Packaging**

**Table 29. Solder Reflow Peak Temperature**

Module Part Number	Package	Maximum Peak Temperature	Maximum Time at Peak Temperature	No. of Cycles
CYBT-X430XX-01	24-pad SMT	260 °C	30 seconds	2

**Table 30. Package Moisture Sensitivity Level (MSL), IPC/JEDEC J-STD-2**

Module Part Number	Package	MSL
CYBT-X430XX-01	24-pad SMT	MSL 3

The CYBT-X430XX-01 is offered in tape and reel packaging. [Figure 20](#) details the tape dimensions used for the CYBT-X430XX-01.

**Figure 20. CYBT-X430XX-01 Tape Dimensions (TBD)**

[Figure 21](#) details the orientation of the CYBT-X430XX-01 in the tape as well as the direction for unreeling.

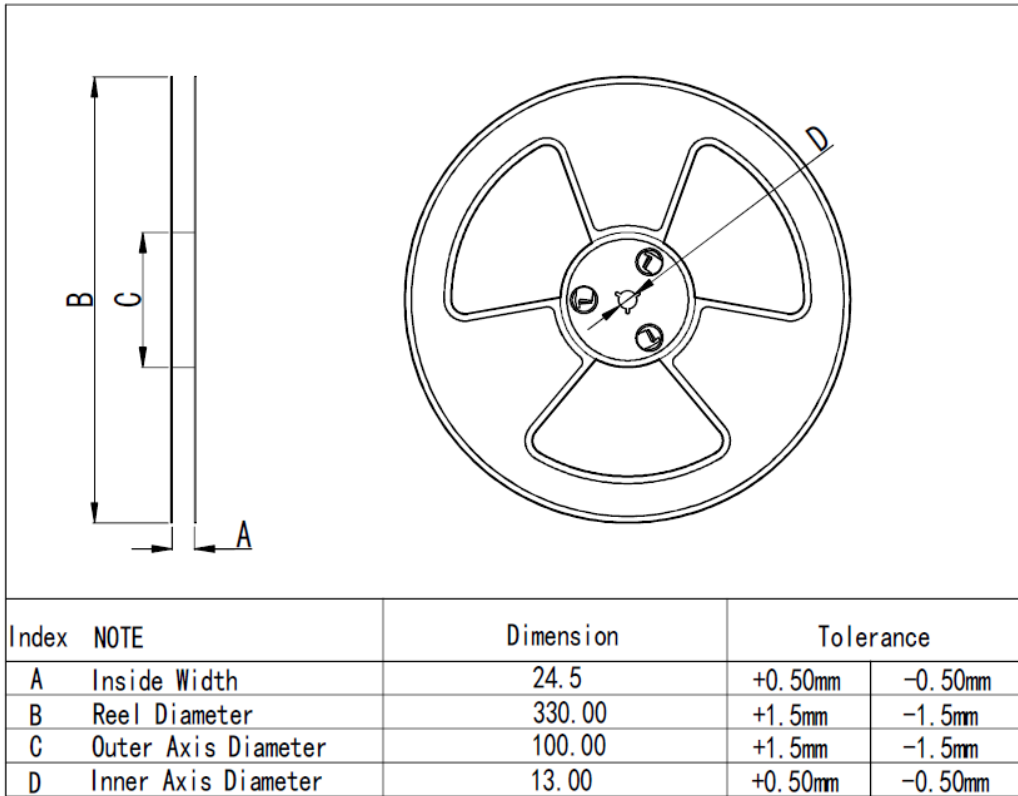
**Figure 21. Component Orientation in Tape and Unreeling Direction (TBD)**



**PRELIMINARY**

Figure 22 details reel dimensions used for the CYBT-X430XX-01.

**Figure 22. Reel Dimensions**



The CYBT-X430XX-01 is designed to be used with pick-and-place equipment in an SMT manufacturing environment. The center-of-mass for the CYBT-X430XX-01 is detailed in [Figure 23](#).

**Figure 23. CYBT-X430XX-01 Center of Mass (TBD)**



**Ordering Information**

Table 31 lists the CYBT-X430XX-01 part number and features. Table 32 lists the reel shipment quantities for the CYBT-X430XX-01.

**Table 31. Ordering Information**

Part Number	CPU Speed (MHz)	Flash Size (KB)	RAM Size (KB)	UART	BSC (I2C)	Apple Homekit	PWM	Package	Packaging
CYBT-343026-01	24	512	352	Yes	Yes	No	4	24-SMT	Tape and Reel
CYBT-343029-01	24	512	352	Yes	Yes	Yes	4	24-SMT	Tape and Reel
CYBT-143038-01	24	–	352	Yes	Yes	No	4	24-SMT	Tape and Reel

**Table 32. Tape and Reel Package Quantity and Minimum Order Amount**

Description	Minimum Reel Quantity	Maximum Reel Quantity	Comments
Reel Quantity	TBD	TBD	Ships in TBD unit reel quantities.
Minimum Order Quantity (MOQ)	TBD	–	–
Order Increment (OI)	TBD	–	–

The CYBT-X430XX-01 is offered in tape and reel packaging. The CYBT-X430XX-01 ships in a reel size of TBD.

For additional information and a complete list of Cypress Semiconductor Wireless products, contact your local Cypress sales representative. To locate the nearest Cypress office, visit our website.

U.S. Cypress Headquarters Address	198 Champion Court, San Jose, CA 95134
U.S. Cypress Headquarter Contact Info	(408) 943-2600
Cypress website address	<a href="http://www.cypress.com">http://www.cypress.com</a>



## Acronyms

**Table 33. Acronyms Used in this Document**

Acronym	Description
BLE	Bluetooth Low Energy
Bluetooth SIG	Bluetooth Special Interest Group
CE	European Conformity
CSA	Canadian Standards Association
EMI	electromagnetic interference
ESD	electrostatic discharge
FCC	Federal Communications Commission
GPIO	general-purpose input/output
IC	Industry Canada
IDE	integrated design environment
KC	Korea Certification
MIC	Ministry of Internal Affairs and Communications (Japan)
PCB	printed circuit board
RX	receive
QDID	qualification design ID
SMT	surface-mount technology; a method for producing electronic circuitry in which the components are placed directly onto the surface of PCBs
TCPWM	timer, counter, pulse width modulator (PWM)
TUV	Germany: Technischer Überwachungs-Verein (Technical Inspection Association)
TX	transmit



**PRELIMINARY**

## Document Conventions

### Units of Measure

Table 34. Units of Measure

Symbol	Unit of Measure
°C	degree Celsius
kV	kilovolt
mA	milliamperes
mm	millimeters
mV	millivolt
μA	microamperes
μm	micrometers
MHz	megahertz
GHz	gigahertz
V	volt



**PRELIMINARY**

CYBT-343026-01  
CYBT-343029-01  
CYBT-143038-01

## Document History Page

Document Title: CYBT-X430XX-01 EZ-BT™ WICED Module Document Number: 002-19525				
Revision	ECN	Orig. of Change	Submission Date	Description of Change
**	PRELIM- INARY	DSO		Preliminary datasheet for CYBT-X430XX-01 module.





## Sales, Solutions, and Legal Information

### Worldwide Sales and Design Support

Cypress maintains a worldwide network of offices, solution centers, manufacturer's representatives, and distributors. To find the office closest to you, visit us at [Cypress Locations](#).

#### Products

ARM® Cortex® Microcontrollers	<a href="http://cypress.com/arm">cypress.com/arm</a>
Automotive	<a href="http://cypress.com/automotive">cypress.com/automotive</a>
Clocks & Buffers	<a href="http://cypress.com/clocks">cypress.com/clocks</a>
Interface	<a href="http://cypress.com/interface">cypress.com/interface</a>
Internet of Things	<a href="http://cypress.com/iot">cypress.com/iot</a>
Memory	<a href="http://cypress.com/memory">cypress.com/memory</a>
Microcontrollers	<a href="http://cypress.com/mcu">cypress.com/mcu</a>
PSoC	<a href="http://cypress.com/psoc">cypress.com/psoc</a>
Power Management ICs	<a href="http://cypress.com/pmic">cypress.com/pmic</a>
Touch Sensing	<a href="http://cypress.com/touch">cypress.com/touch</a>
USB Controllers	<a href="http://cypress.com/usb">cypress.com/usb</a>
Wireless Connectivity	<a href="http://cypress.com/wireless">cypress.com/wireless</a>

#### PSoC® Solutions

[PSoC 1](#) | [PSoC 3](#) | [PSoC 4](#) | [PSoC 5LP](#)

#### Cypress Developer Community

[Forums](#) | [WICED IOT Forums](#) | [Projects](#) | [Video](#) | [Blogs](#) | [Training](#) | [Components](#)

#### Technical Support

[cypress.com/support](http://cypress.com/support)

© Cypress Semiconductor Corporation, 2017. This document is the property of Cypress Semiconductor Corporation and its subsidiaries, including Spansion LLC ("Cypress"). This document, including any software or firmware included or referenced in this document ("Software"), is owned by Cypress under the intellectual property laws and treaties of the United States and other countries worldwide. Cypress reserves all rights under such laws and treaties and does not, except as specifically stated in this paragraph, grant any license under its patents, copyrights, trademarks, or other intellectual property rights. If the Software is not accompanied by a license agreement and you do not otherwise have a written agreement with Cypress governing the use of the Software, then Cypress hereby grants you a personal, non-exclusive, nontransferable license (without the right to sublicense) (1) under its copyright rights in the Software (a) for Software provided in source code form, to modify and reproduce the Software solely for use with Cypress hardware products, only internally within your organization, and (b) to distribute the Software in binary code form externally to end users (either directly or indirectly through resellers and distributors), solely for use on Cypress hardware product units, and (2) under those claims of Cypress's patents that are infringed by the Software (as provided by Cypress, unmodified) to make, use, distribute, and import the Software solely for use with Cypress hardware products. Any other use, reproduction, modification, translation, or compilation of the Software is prohibited.

TO THE EXTENT PERMITTED BY APPLICABLE LAW, CYPRESS MAKES NO WARRANTY OF ANY KIND, EXPRESS OR IMPLIED, WITH REGARD TO THIS DOCUMENT OR ANY SOFTWARE OR ACCOMPANYING HARDWARE, INCLUDING, BUT NOT LIMITED TO, THE IMPLIED WARRANTIES OF MERCHANTABILITY AND FITNESS FOR A PARTICULAR PURPOSE. To the extent permitted by applicable law, Cypress reserves the right to make changes to this document without further notice. Cypress does not assume any liability arising out of the application or use of any product or circuit described in this document. Any information provided in this document, including any sample design information or programming code, is provided only for reference purposes. It is the responsibility of the user of this document to properly design, program, and test the functionality and safety of any application made of this information and any resulting product. Cypress products are not designed, intended, or authorized for use as critical components in systems designed or intended for the operation of weapons, weapons systems, nuclear installations, life-support devices or systems, other medical devices or systems (including resuscitation equipment and surgical implants), pollution control or hazardous substances management, or other uses where the failure of the device or system could cause personal injury, death, or property damage ("Unintended Uses"). A critical component is any component of a device or system whose failure to perform can be reasonably expected to cause the failure of the device or system, or to affect its safety or effectiveness. Cypress is not liable, in whole or in part, and you shall and hereby do release Cypress from any claim, damage, or other liability arising from or related to all Unintended Uses of Cypress products. You shall indemnify and hold Cypress harmless from and against all claims, costs, damages, and other liabilities, including claims for personal injury or death, arising from or related to any Unintended Uses of Cypress products.

Cypress, the Cypress logo, Spansion, the Spansion logo, and combinations thereof, WICED, PSoC, CapSense, EZ-USB, F-RAM, and Traveo are trademarks or registered trademarks of Cypress in the United States and other countries. For a more complete list of Cypress trademarks, visit [cypress.com](http://cypress.com). Other names and brands may be claimed as property of their respective owners.