

# Antenna Pattern Measurement Test Report for TESTO 0554 1111



Report Reference: MDE\_TESTO\_1610\_BT\_1  
Date: 01.09.2017

## Test Laboratory:

7layers GmbH  
Borsigstrasse 11  
40880 Ratingen  
Germany



Deutsche  
Akkreditierungsstelle  
D-PL-12140-01-00

## Note:

The following test results relate only to the devices specified in this document. This report shall not be reproduced in parts without the written approval of the test laboratory.

**7layers GmbH**  
Borsigstraße 11  
40880 Ratingen, Germany  
T +49 (0) 2102 749 0  
F +49 (0) 2102 749 350

Geschäftsführer/  
Managing Directors:  
Frank Spiller  
Bernhard Retka  
Alexandre Norré-Oudard

Registergericht/registered:  
Düsseldorf HRB 75554  
USt-Id.-Nr./VAT-No. DE203159652  
Steuer-Nr./TAX-No. 147/5869/0385

a Bureau Veritas  
Group Company  
[www.7layers.com](http://www.7layers.com)

## **Content:**

<b>1 TEST LAB DECLARATION</b>	<b>3</b>
<b>2 SIGNATURES</b>	<b>3</b>
<b>3 PROJECT AND RESULT SUMMARY</b>	<b>4</b>
<b>4 BRIEF DESCRIPTION OF SETTINGS AND TEST METHOD</b>	<b>5</b>
4.1 References and Standards Used	5
4.2 Test Procedure TRP	5
4.3 Definitions	6
<b>5 DETAILED RADIATED TEST RESULTS AND PATTERN</b>	<b>6</b>
5.1 Equipment List	6
5.2 Radiation Pattern TRP Bluetooth 2402 MHz	7
5.3 Radiation Pattern TRP Bluetooth 2440 MHz	9
5.4 Radiation Pattern TRP Bluetooth 2480 MHz	11

## 1 Test Lab Declaration

All test results stated relate only to the device tested.

The test report must usually be reproduced in full. Reproduction of an excerpt is hereby granted, but only when:

- in the resulting document it's status (being an excerpt) is clearly stated and
- in minimum chapter 3 is included completely.

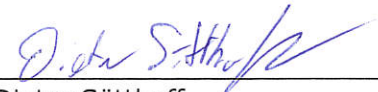
## 2 SIGNATURES

Responsible for  
Accreditation Scope:



Robert Machulec

Responsible  
for Test Report:



Dieter Sütthoff

### 3 Project and Result Summary

DUT	Testo 0554 1111	DUT SN	0060989994
Test lab	7layers GmbH Borsigstr. 11 40880 Ratingen Germany	Set up	free space
		Test start	30.08.2017
Customer	Testo SE & Co. KGaA Testo-Straße 1 79853 Lenzkrich Germany	Report date	01.09.2017
		Report by	Dieter Sütthoff
		Approved by	Robert Machulec

HW Version	4.0.b
SW Version	0.07

Bluetooth	2402 MHz	2440 MHz	2480 MHz
<b>Positiv Peak Detector Unmodulated</b>	2402 MHz	2440 MHz	2480 MHz
Antenna Port Input Power (Conducted Sample)	-1.27	-1.42	-1.96
Tot. Rad. Pwr. (dBm)	-7.9	-8.7	-9.1
Peak EIRP (dBm)	-3.0	-3.8	-4.3
Directivity (dBi)	5.0	5.0	4.8
Efficiency (dB)	-6.6	-7.3	-7.1
Efficiency (%)	22	19	19
<b>Gain (dBi)</b>	<b>-1.7</b>	<b>-2.4</b>	<b>-2.3</b>

Tab. 1: Test result summary Bluetooth



Fig. 1: Photo of DUT.

## 4 Brief Description of Settings and Test Method

### 4.1 References and Standards Used

- [1] CTIA: "Test Plan for Wireless Device Over the Air Performance", Revision Number 3.6.2, 05/2017.
- [2] 3GPP TS 25.101: "User Equipment (UE) radio transmission and reception (FDD)", (Release 11), Version V11.2.0, June 2012.
- [3] 7 layers document: "Test Procedure for Over the Air Performance Estimation Applied by the OTA Test Lab at 7 layers Ratingen", Version January 2009.

### 4.2 Test Procedure TRP

The method of measurement for radiated RF power and receiver performance are based on the principals of the test standard CTIA: "Test Plan for Mobile Station Over the Air Performance" [1].

***In general the following approach is applied for TRP measurements:***

- For TRP measurement put OUT in a mode where it transmitting periodical RF energy.
- Rotate the EUT in all room directions with a angle grid of 15°.
- Gather power data for both, vertical and horizontal polarization.
- Calculate total radiated power by integrating over the whole sphere as outlined in [1].

The test setup was placed at the turning device inside a fully anechoic chamber. The object under test (OUT) was set to transmit permanently signal on specific frequencies  
The total radiated power (TRP) of the test setup was measured in all angle direction (3D) using a step width of 15° and using two measurement antenna polarizations (vertical and horizontal).

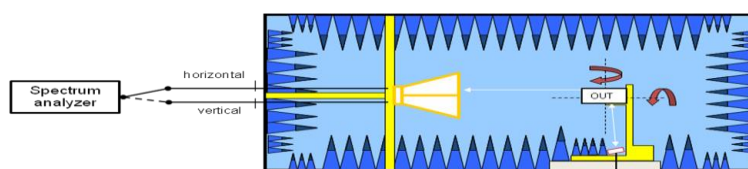


Fig. 1: Block diagram for TRP measurement

### 4.3 Definitions

3GPP	3 <sup>rd</sup> Generation Partnership Project
BER	Bit error rate or bit error ratio
BS	Base station
CTIA	Cellular Telecommunications & Internet Association
DUT	Device under test
FS	Free space
TP	Talk position (phone is situated at SAM = human head phantom)
TRP	Total Radiated Power
EIRP	Effective Isotropic Radiated Power
TRS	Total Radiated Sensitivity (same as TIS in CTIA), loss of link level
EIRS	Effective Isotropic Radiated Sensitivity

## 5 Detailed Radiated Test Results and Pattern

### 5.1 Equipment List

#### For TRP measurements:

Antenna:	Dual polarized horn ETS3164-03 by ETS	SN 00052619
Receiver:	FSP3 spectrum analyzer by R&S for 2.4 GHz	SN 838164/004

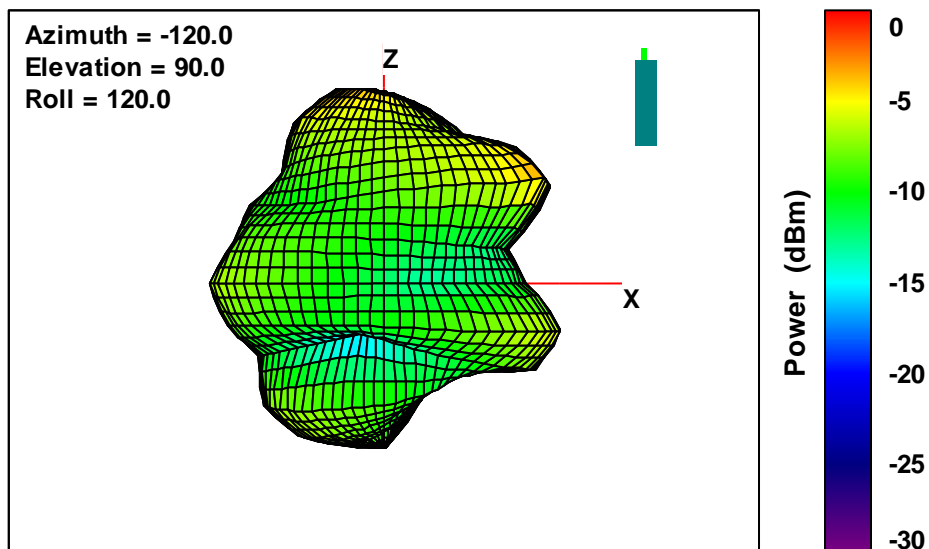
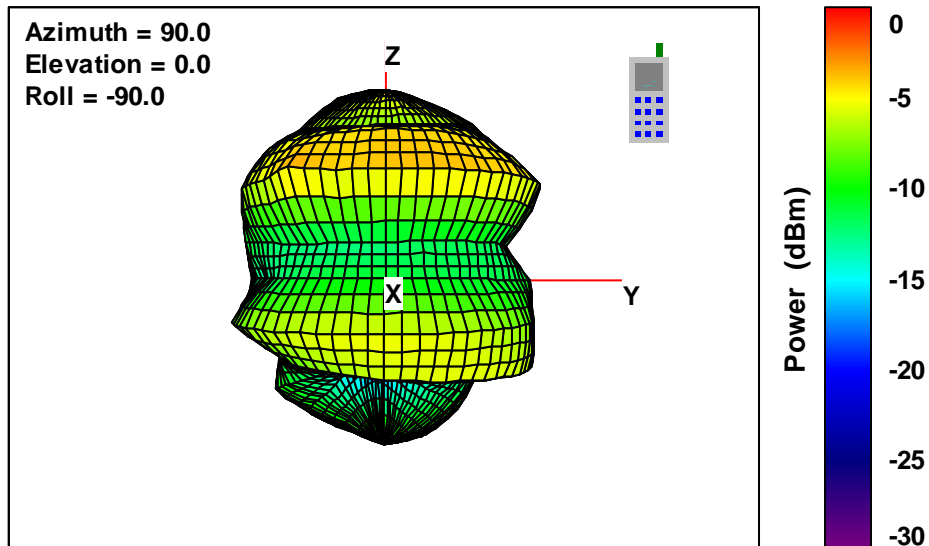
#### Orientation of EUT compared to a standard device

For orientation of the EUT in the result pictures below the following photos illustrate the used orientation compared to a standard device:



Fig. 2: Photo orientation of DUT compared to a phone.

### 5.2 Radiation Pattern TRP Bluetooth 2402 MHz



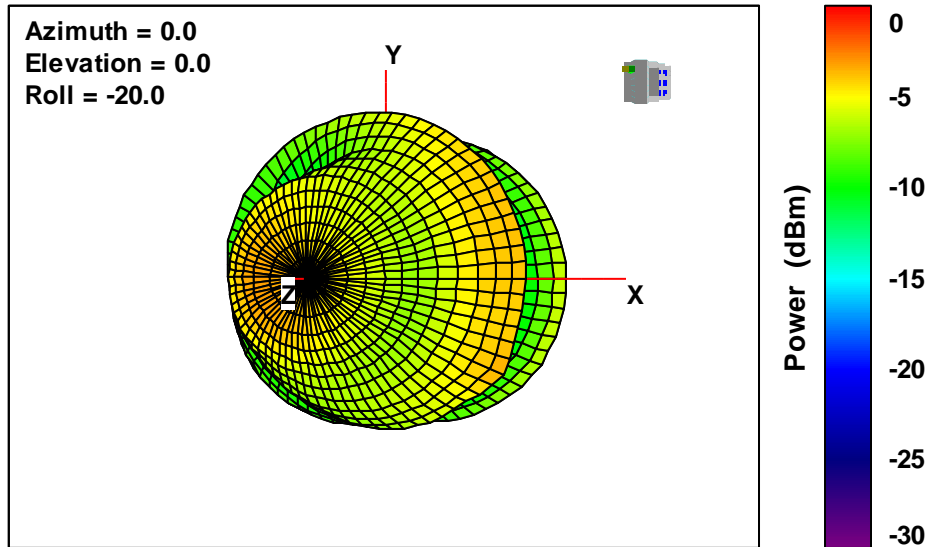
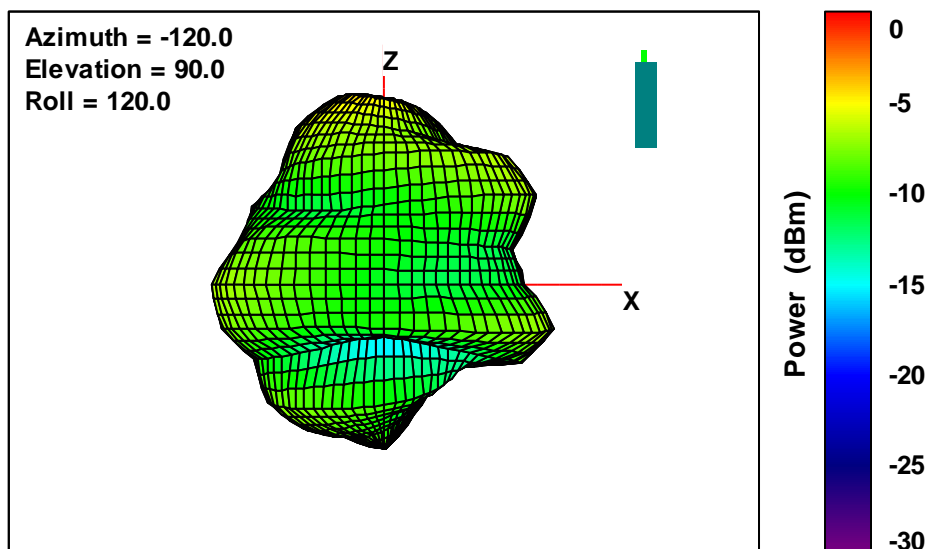
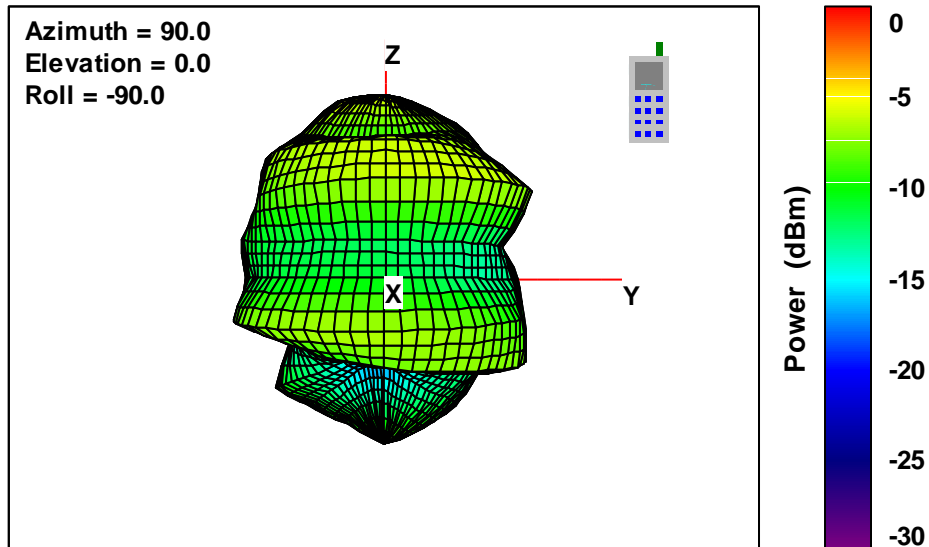


Fig. 3: 2402 MHz 3D Radiated pattern orientation of DUT compared to a phone.



### 5.3 Radiation Pattern TRP Bluetooth 2440 MHz



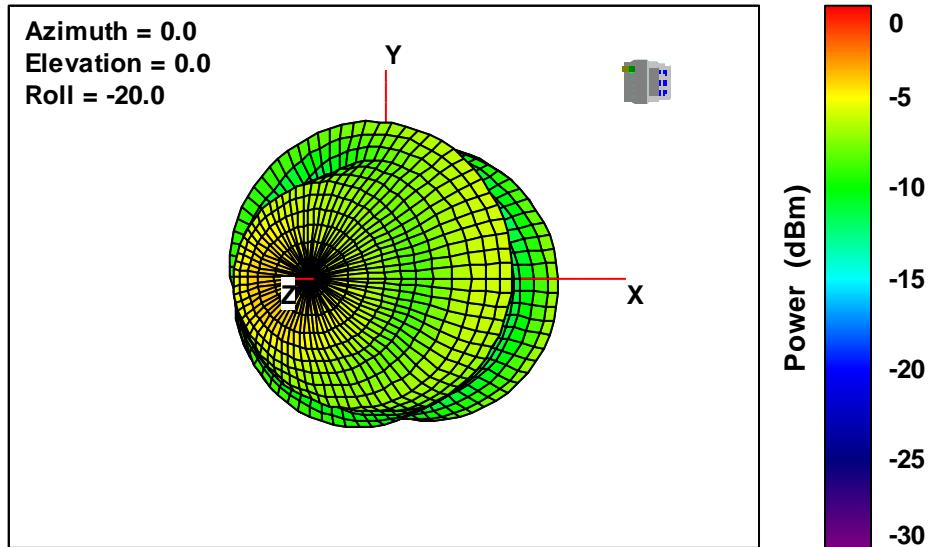
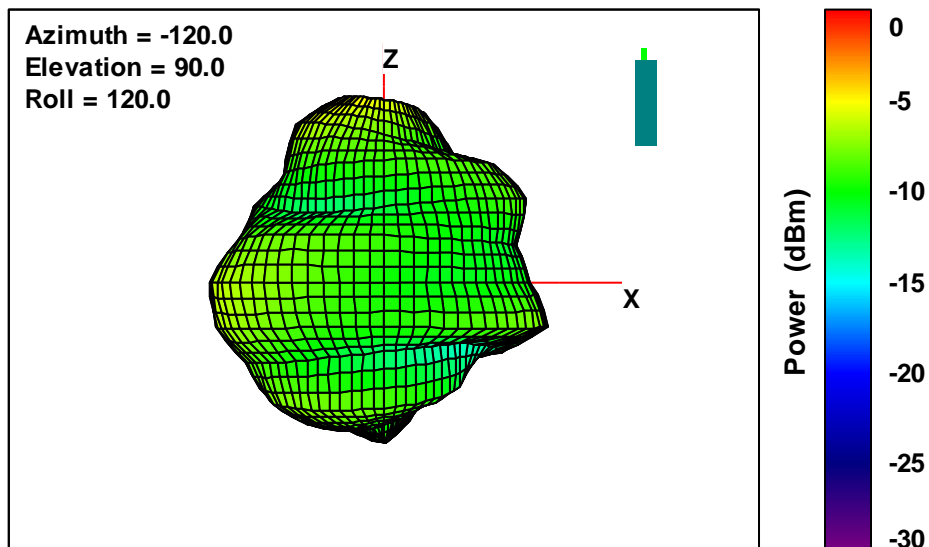
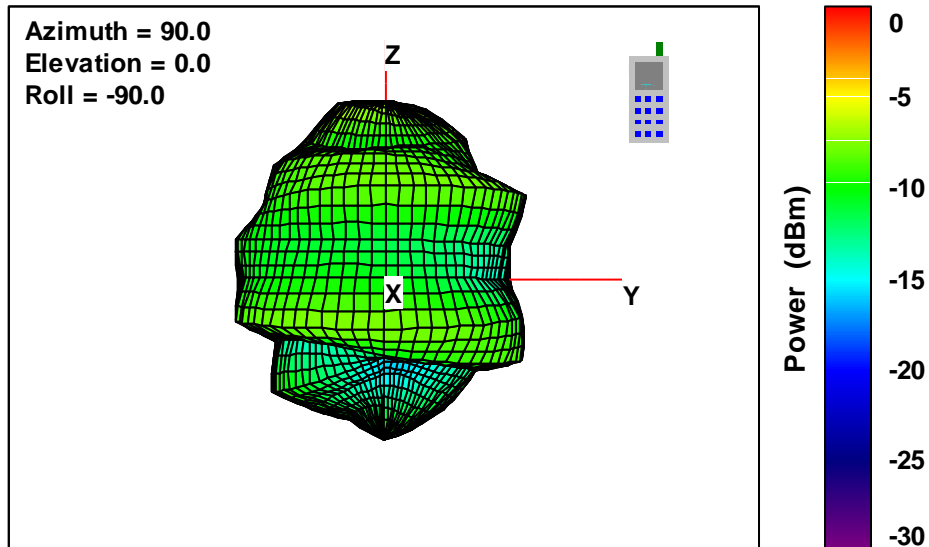


Fig. 4: 2440 MHz 3D Radiated pattern orientation of DUT compared to a phone.

### 5.4 Radiation Pattern TRP Bluetooth 2480 MHz



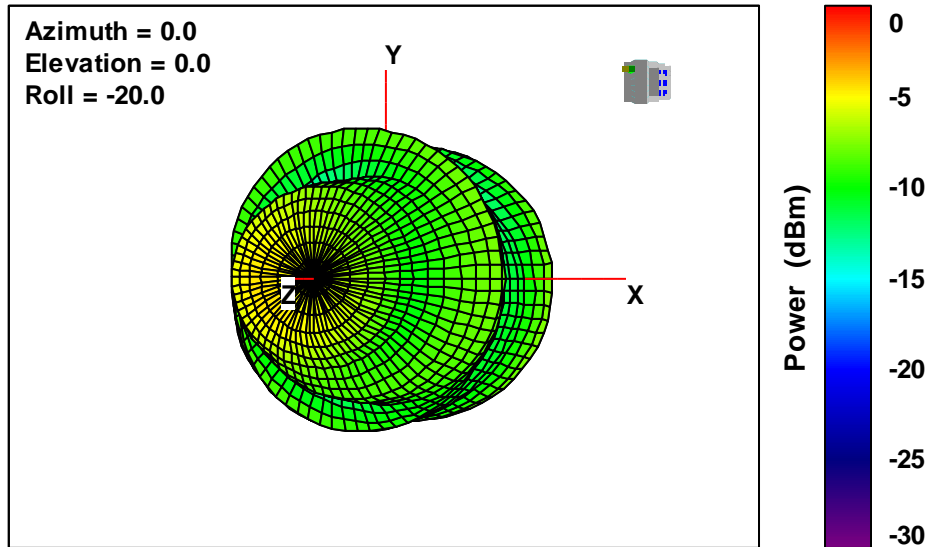


Fig. 5: 2480 MHz 3D Radiated pattern orientation of DUT compared to a phone.