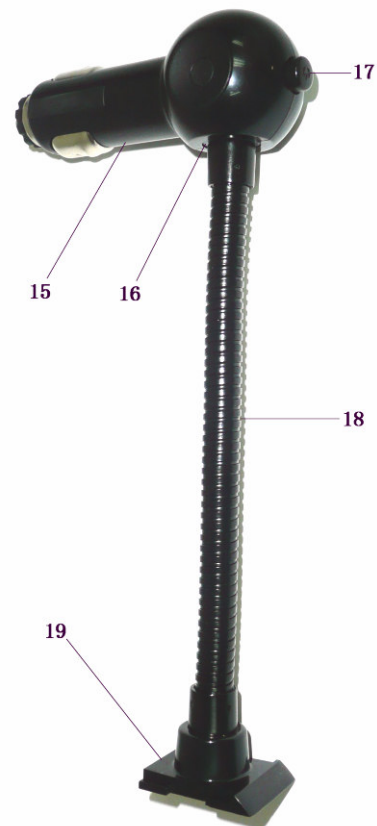
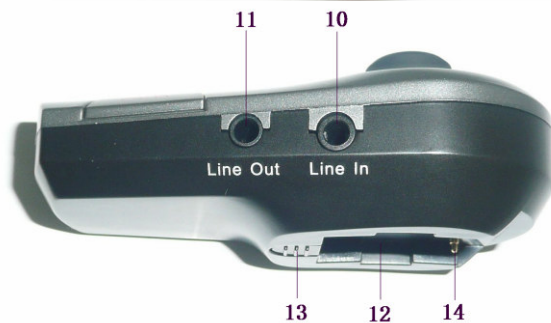



## Simple description of the EUT



### Main body

### Cigarette adaptor

1	MFB—Adjust frequency, adjust volume and frequency tuning automatically
2	☎ button—End call and reject call
3	Microphone
4	☎ button—Enter into pairing mode, redial last call and answer call
5	USB socket—Power and charge other devices
6	⏸ button—Pause/revert
7	⏮ button—Last song
8	⏭ button—Next song
9	Display screen—Display the frequency and volume
10	Line In—3.5mm audio input
11	Line Out—3.5mm audio output
12	Connecting slot
13	Spring button
14	Connecting thimble
15	Cigarette adaptor
16	Power indicator light

- 17  button—Power switch
- 18 Flexible neck
- 19 Connecting buckle

■ Specification and block diagram

<b>Bluetooth version</b>	Bluetooth V2.1
<b>Bluetooth profiles</b>	HSP, HFP, A2DP and AVRCP
<b>Frequency response</b>	2.4GHz-2.4835GHz
<b>FM frequency</b>	88.1-107.9MHz
<b>Bluetooth range</b>	10M
<b>FM range</b>	5M
<b>Max. undistorted audio Input</b>	395mV p-p
<b>Input</b>	DC 12V === 400mA
<b>USB output</b>	DC 5.0V === 600mA
<b>Dimension</b>	84×46×32mm
<b>Weight</b>	Main body: 42.9g Cigarette adaptor: 75.5g

