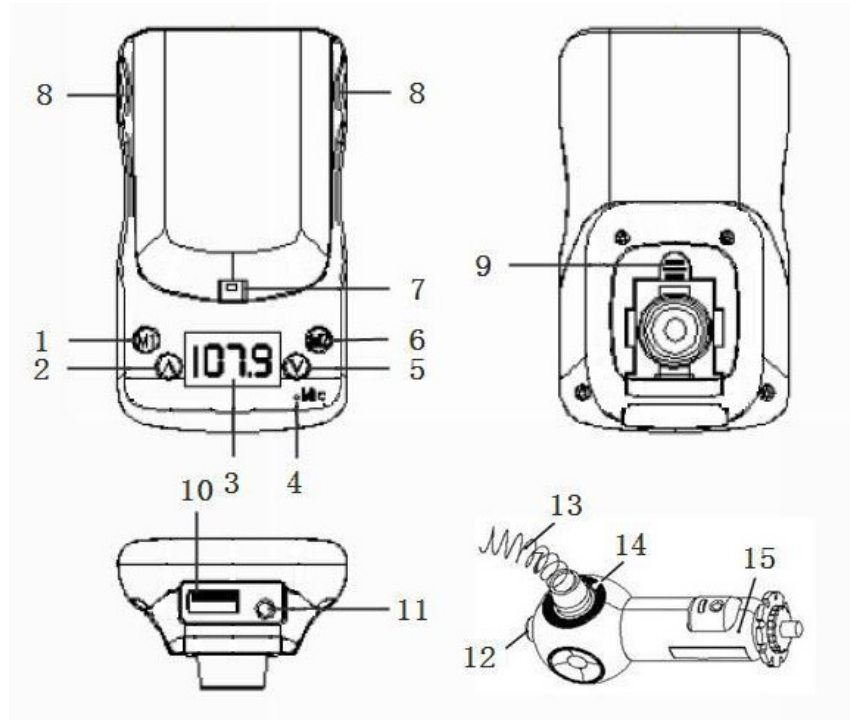



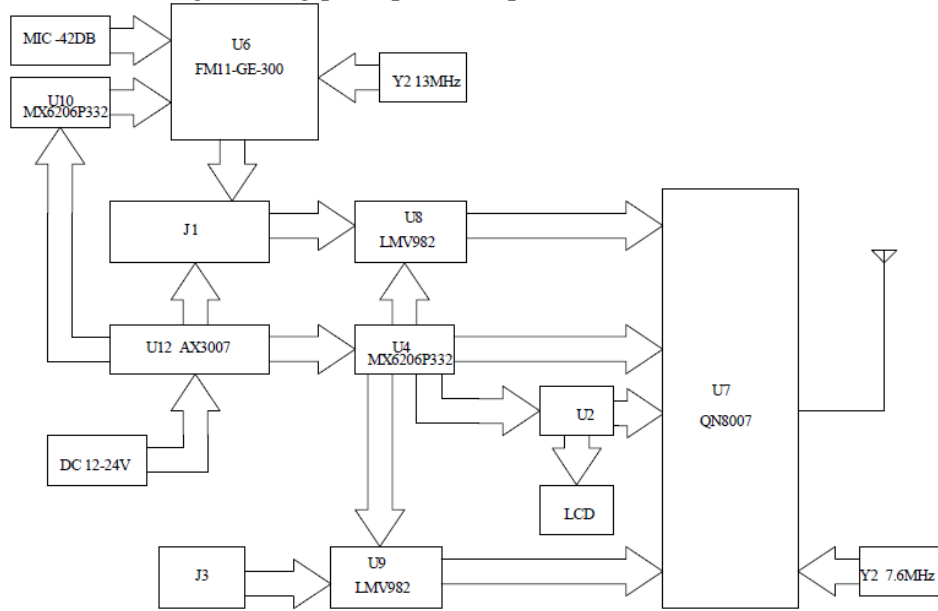
The EUT is a FM transmitter working form 88.1MHz to 107.9MHz.

**Refer to the following simple description of the EUT**



1	Digital button M1	9	Clasp
2	^ button	10	USB charging socket
3	Display	11	3.5mm line-in port
4	Microphone	12	Power switch 
5	∨ button	13	Flexible neck
6	Digital button M2	14	Power LED indicator
7	Connecting plug	15	Cigarette lighter plug
8	Slot		

Refer to the following working principle description of the EUT



1、 U10

给 U6 提供 3.3V 电源  
Provide 3.3V power supply to U6

2、 U6

处理麦克风的回音并送回手机  
Dealing with the microphone echo and sent back to phone

3、 U8

对 J4 提供过来的音频信号进行放大  
Amplify the audio signal provided by J4

4、 U12

对输入电源进行降压到 5V;  
Lower the input power to 5V

5、 U4

分别给 U7/U8/U9 供电;  
Supply power to U7/U8/U9

6、 U9

对 J3 输入的信号进行放大;  
Amplify the signal input on J3

7、 U2

LCD 和 U7 的驱动芯片;  
LCD and U7's driver chips

#### 8、 U7

该电路模块为信号调制和发射部分,把音频信号进行立体声调制,最终传送到收音机。

This electric module is for the signal modulation and the launch, modulation the signal which carries with the stereo audio, and then transmit the signal to Radio finally..

同时,该模块具备搜索空台功能,搜索未被占用的电台以进行发射。  
The module also include Clear Scan function. By this feature, you can scan a frequency which is not being used by other Radio Station.

#### 9、 J3

外接音频信号接口  
External audio signal interface

#### 10、 J1

HTC G2 的连接接口  
HTC G2 Connection Interface

#### 11、 LCD

显示发射频率等相关信息。  
Display the frequency, etc.