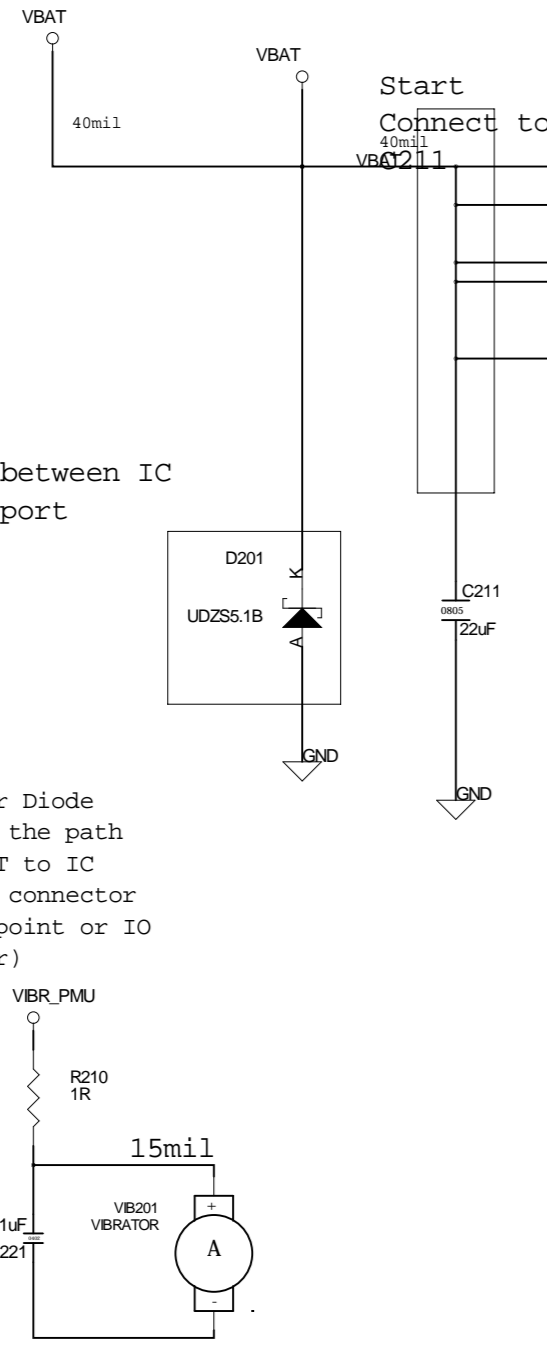
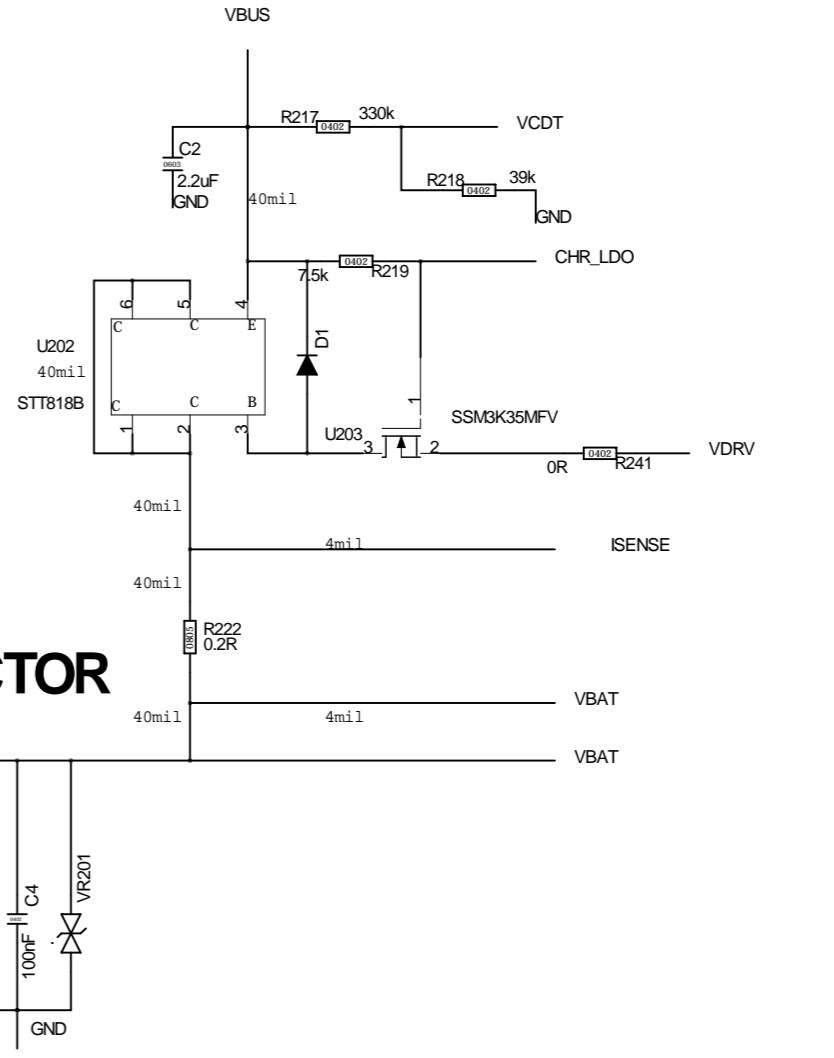


VIBRATOR

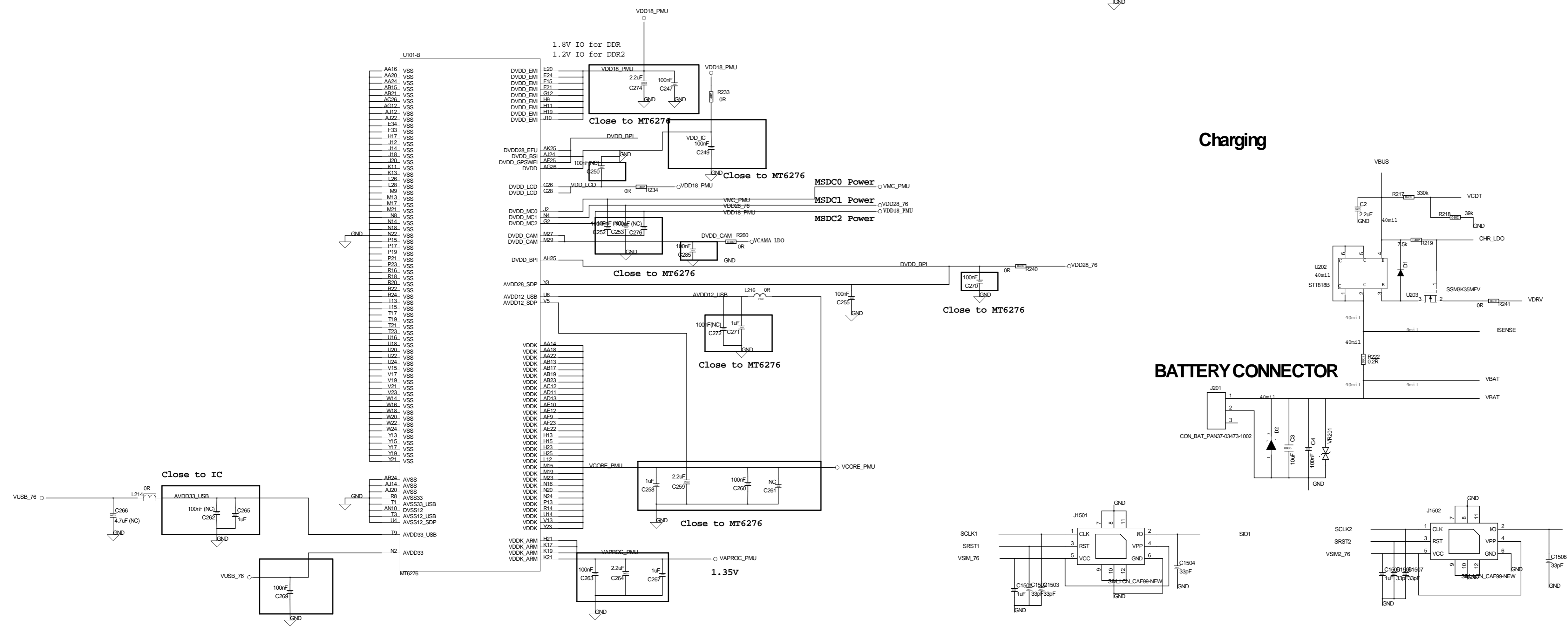
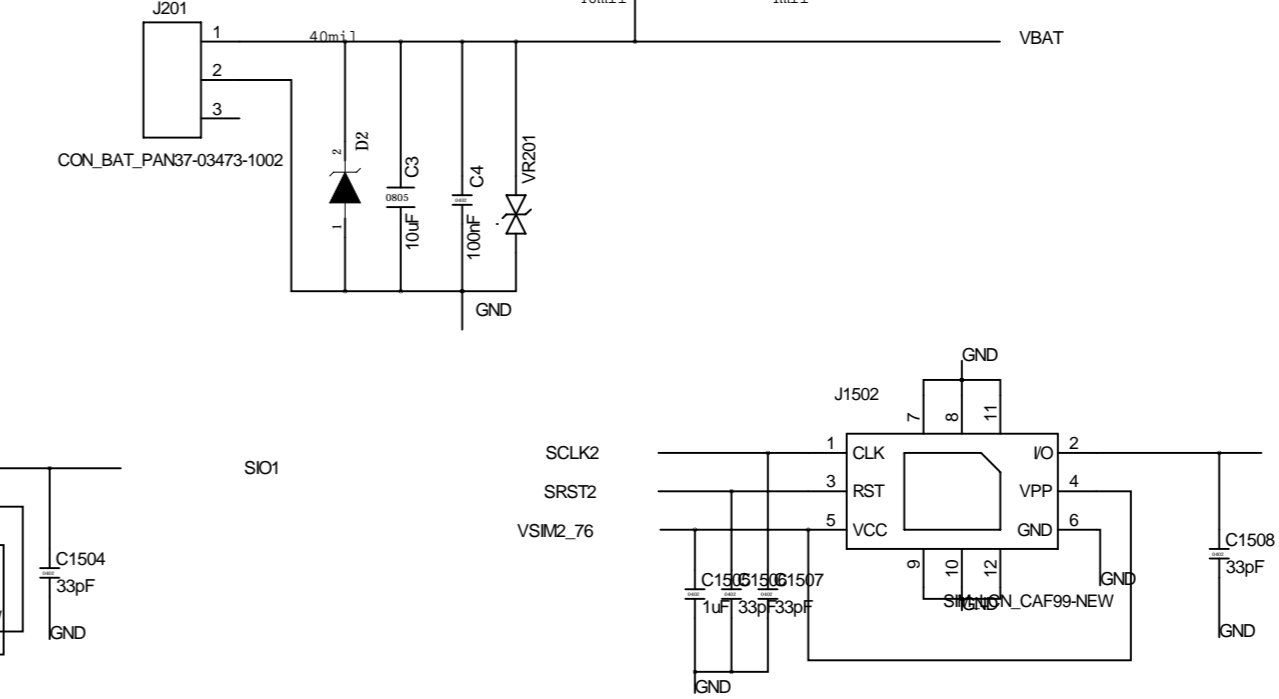


ISENSE/BTSNS 4mil differential to Rsense

Charging

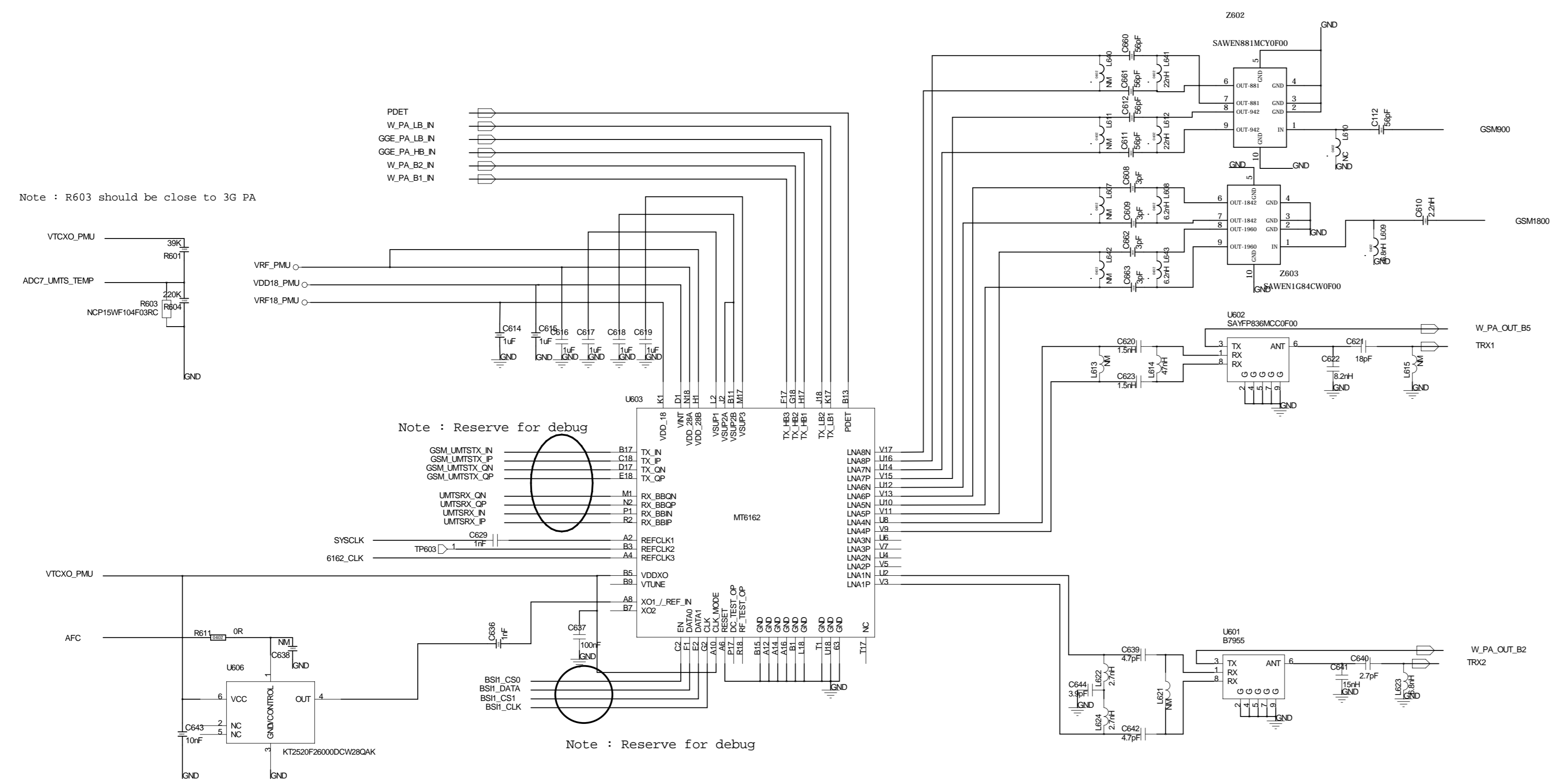


BATTERY CONNECTOR



	I _{max} (mA)	V _{out} (V)	
Vcore	400	1.2/0.9	Buck
Vaproc	400	1.35	Buck
VI018	400	1.8	Buck
VPA	800	0.9-3.4	Buck
VRF18	250	2.8/3.3/2.5	Buck/LDO
VRF	200	2.8	Analog LDO
VTCXO	10	2.75	Analog LDO
VDD28	100	2.8	Digital LDO
VSIM	100	1.8/3.0	Digital LDO
VSM2	100	1.3/1.5/1.8/2.5/2.8/3.3	Digital LDO
VUSB	100	3.3	Digital LDO
VBT	100	1.5/1.8/2.5/2.8/3.3/1.3	Digital LDO
VCAMA	100	1.5/1.8/2.5/2.8	Analog LDO
VCAMD	100	1.3/1.5/1.8/2.5/2.8/3.3	Digital LDO
VMC	200	1.3/1.5/1.8/2.5/2.8/3.3	Analog LDO
VIBR	200	1.3/1.5/1.8/2.5/2.8/3.3	Digital LDO
AVDD25	30	2.5	Analog LDO
LED	150		
Charger		50-800 mA	

RF_MT6162_RX



All RF trace should keep 50 ohm impedance !!!

wifi Antenna on the side board.

