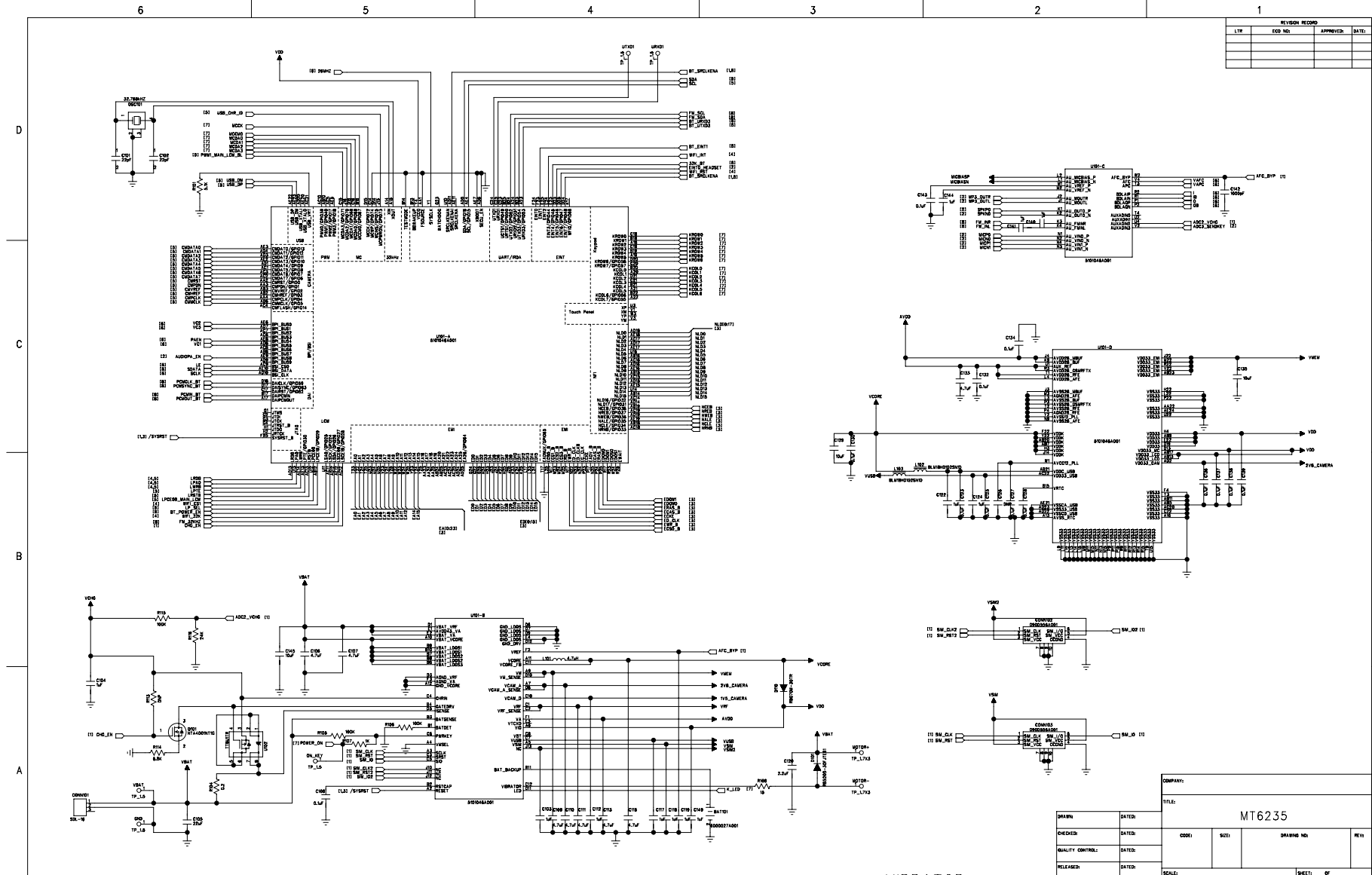


REVISION RECORD			
LT#	ECO NO.	APPROVED	DATE



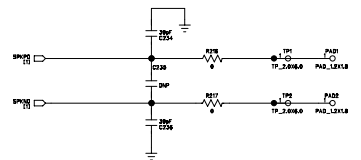
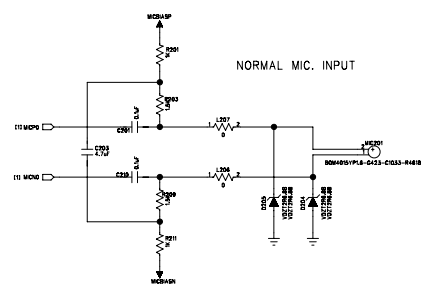
VIBRATOR

COMPANY:		TITLE:	
		MT6235	
DRAWN:	DATED:	CODE:	SIZE:
CHECKED:	DATED:	DRAWING NO.	REV:
QUALITY CONTROL:	DATED:		
RELEASED:	DATED:	SCALE:	SHEET: OF

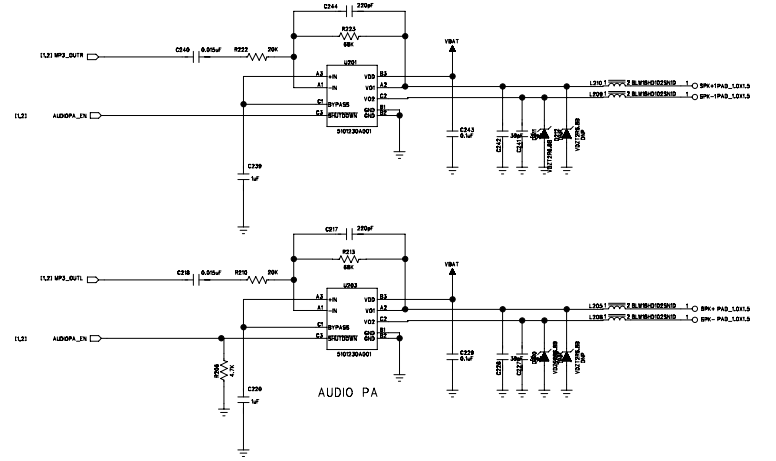
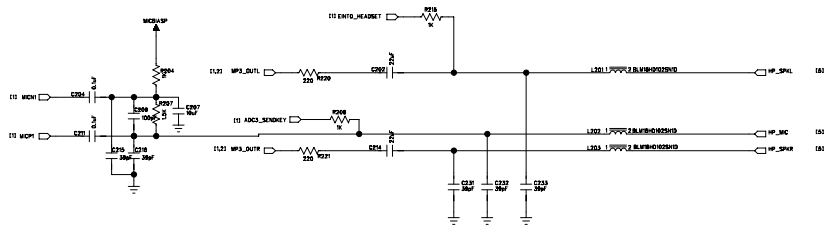
6 5 4 3 2 1

REVISION RECORD			
LT#	ECO NO.	APPROVED	DATE

D
C
B
A

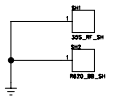
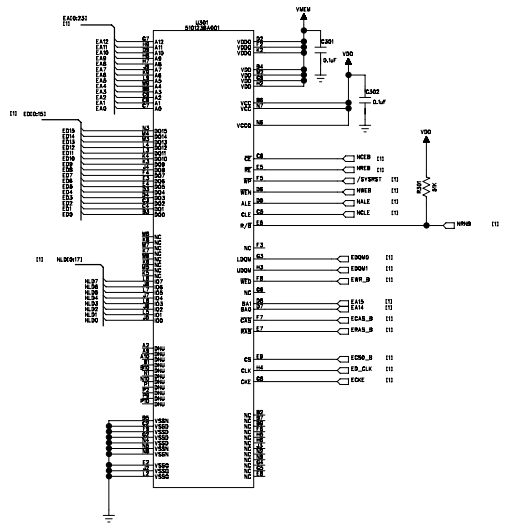


HEADSET / DIGITAL AUDIO



COMPANY:			
TITLE: AUDIO			
DRAWN:	DATED:	CODE:	SIZE:
CHECKED:	DATED:	DRAWING NO:	REV:
QUALITY CONTROL:	DATED:	SCALE:	SHEET: OF
RELEASED:	DATED:		

REVISION RECORD			
LTN	ECO NO.	APPROVED	DATE

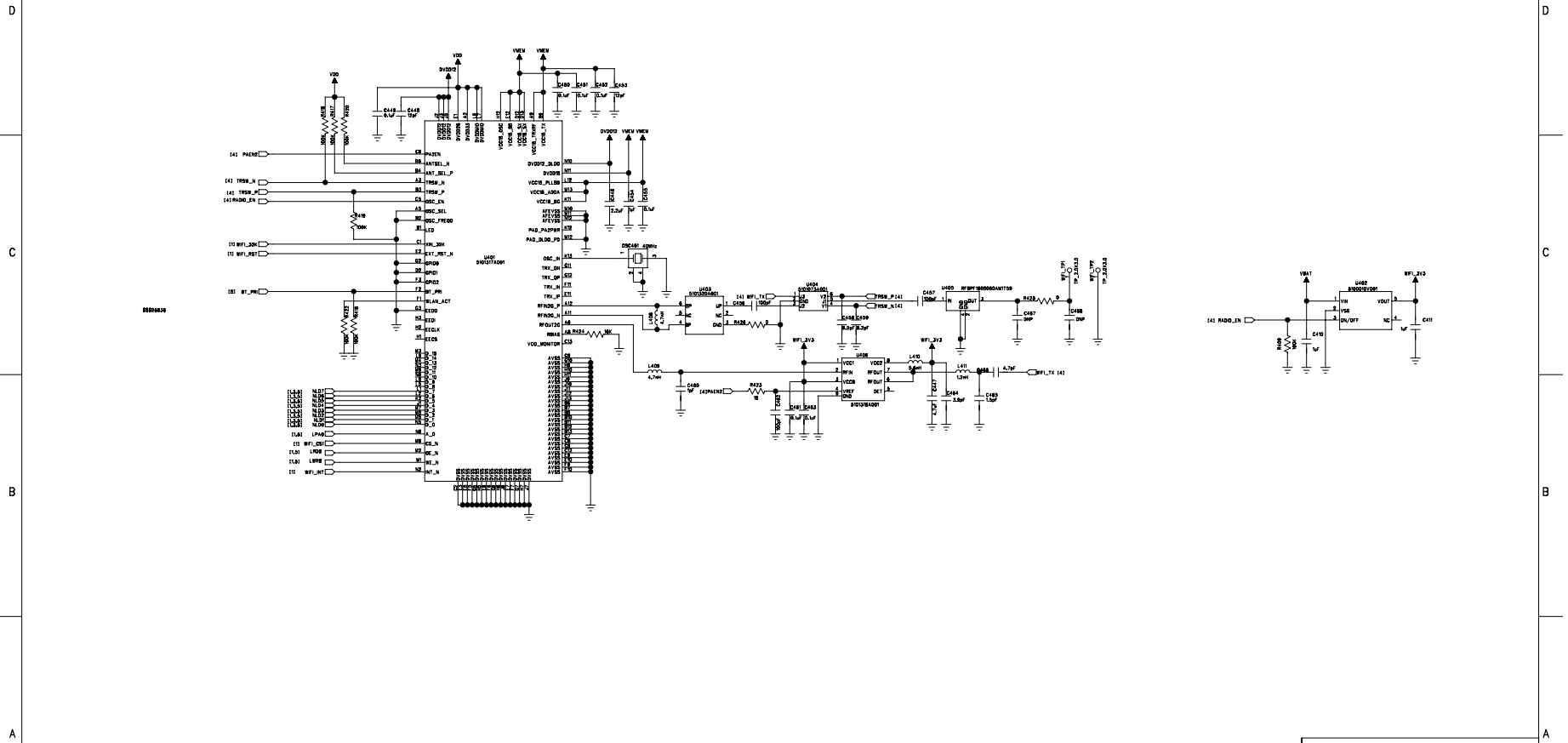


- MEM0 FUGAL
- MEM1 FUGAL
- MEM2 FUGAL
- MEM3 FUGAL
- MEM4 FUGAL
- MEM5 FUGAL
- MEM6 FUGAL
- MEM7 FUGAL
- MEM8 FUGAL
- MEM9 FUGAL
- MEM10 FUGAL
- MEM11 FUGAL
- MEM12 FUGAL
- MEM13 FUGAL
- MEM14 FUGAL
- MEM15 FUGAL
- MEM16 FUGAL
- MEM17 FUGAL
- MEM18 FUGAL
- MEM19 FUGAL
- MEM20 FUGAL
- MEM21 FUGAL
- MEM22 FUGAL
- MEM23 FUGAL
- MEM24 FUGAL
- MEM25 FUGAL
- MEM26 FUGAL
- MEM27 FUGAL
- MEM28 FUGAL
- MEM29 FUGAL
- MEM30 FUGAL
- MEM31 FUGAL
- MEM32 FUGAL
- MEM33 FUGAL
- MEM34 FUGAL
- MEM35 FUGAL
- MEM36 FUGAL
- MEM37 FUGAL
- MEM38 FUGAL
- MEM39 FUGAL
- MEM40 FUGAL
- MEM41 FUGAL
- MEM42 FUGAL
- MEM43 FUGAL
- MEM44 FUGAL
- MEM45 FUGAL
- MEM46 FUGAL
- MEM47 FUGAL
- MEM48 FUGAL
- MEM49 FUGAL
- MEM50 FUGAL
- MEM51 FUGAL
- MEM52 FUGAL
- MEM53 FUGAL
- MEM54 FUGAL
- MEM55 FUGAL
- MEM56 FUGAL
- MEM57 FUGAL
- MEM58 FUGAL
- MEM59 FUGAL
- MEM60 FUGAL
- MEM61 FUGAL
- MEM62 FUGAL
- MEM63 FUGAL
- MEM64 FUGAL
- MEM65 FUGAL
- MEM66 FUGAL
- MEM67 FUGAL
- MEM68 FUGAL
- MEM69 FUGAL
- MEM70 FUGAL
- MEM71 FUGAL
- MEM72 FUGAL
- MEM73 FUGAL
- MEM74 FUGAL
- MEM75 FUGAL
- MEM76 FUGAL
- MEM77 FUGAL
- MEM78 FUGAL
- MEM79 FUGAL
- MEM80 FUGAL
- MEM81 FUGAL
- MEM82 FUGAL
- MEM83 FUGAL
- MEM84 FUGAL
- MEM85 FUGAL
- MEM86 FUGAL
- MEM87 FUGAL
- MEM88 FUGAL
- MEM89 FUGAL
- MEM90 FUGAL
- MEM91 FUGAL
- MEM92 FUGAL
- MEM93 FUGAL
- MEM94 FUGAL
- MEM95 FUGAL
- MEM96 FUGAL
- MEM97 FUGAL
- MEM98 FUGAL
- MEM99 FUGAL

DRAWN		DATED		COMPANY:	
CHECKED		DATED		TITLE:	
QUALITY CONTROL		DATED		MEMORY	
RELEASED		DATED		CODE	SIZE
				DRAWING NO.	REV
				SCALE:	SHEET: OF

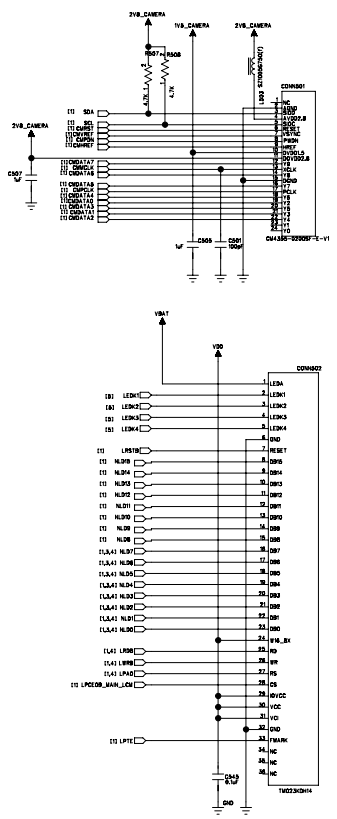
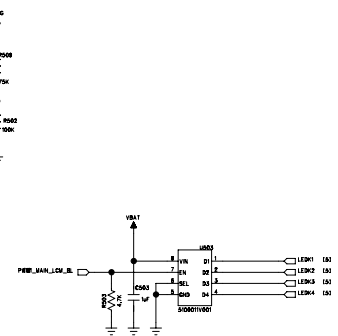
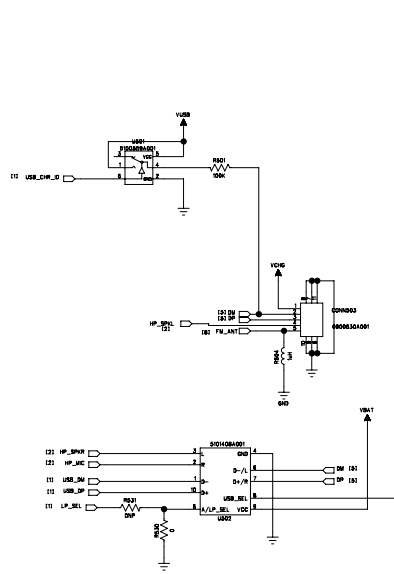
REVISION RECORD			
LT#	ECO NO.	APPROVED	DATE

6 5 4 3 2 1



DRAWN		DATED		COMPANY: ivy	
CHECKED		DATED		TITLE: 4_ENCRYPT/10	
QUALITY CONTROL		DATED		CODE	SIZE
RELEASED		DATED		DRAWING NO.	REV
SCALE:				SHEET: 07	

REVISION RECORD			
LTR	ECO NO.	APPROVED	DATE



LCD MODULE

DRAWN		DATED		COMPANY:	
CHECKED		DATED		TITLE:	
QUALITY CONTROL		DATED		LCM_SENSOR_IO	
RELEASED		DATED		CODE	SIZE
				DRAWING NO.	REV
				SCALE	SHEET 1 OF

6

5

4

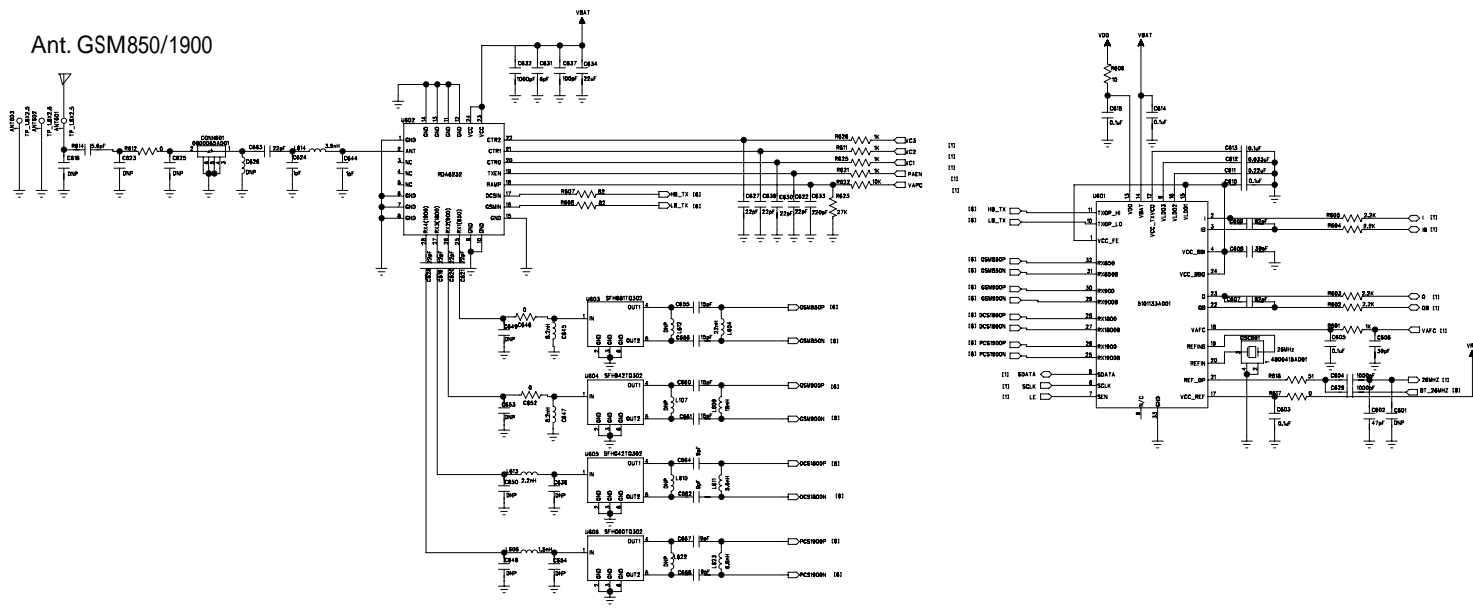
3

2

1

REVISION RECORD			
LTR	ECO NO.	APPROVED	DATE

Ant. GSM850/1900



COMPANY:					
TITLE:					
AD6548					
DRAWN:	DATED:	CODE:	SIZE:	DRAWING NO:	REV:
CHECKED:	DATED:				
QUALITY CONTROL:	DATED:				
RELEASED:	DATED:	SCALE:		SHEET:	OF

D

C

B

A

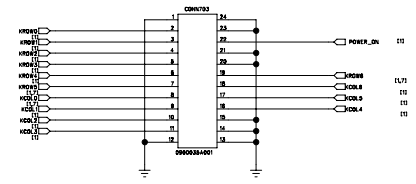
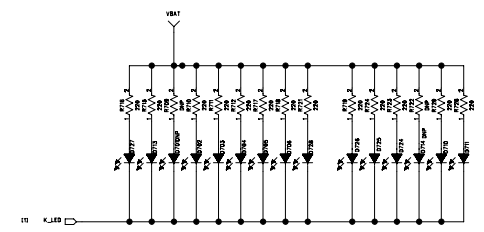
D

C

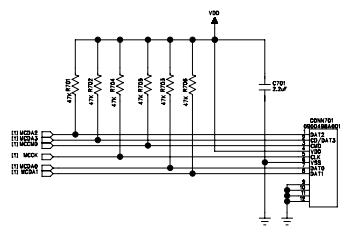
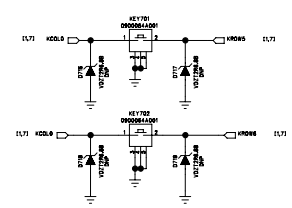
B

A

REVISION RECORD			
LT#	ECO NO.	APPROVED	DATE

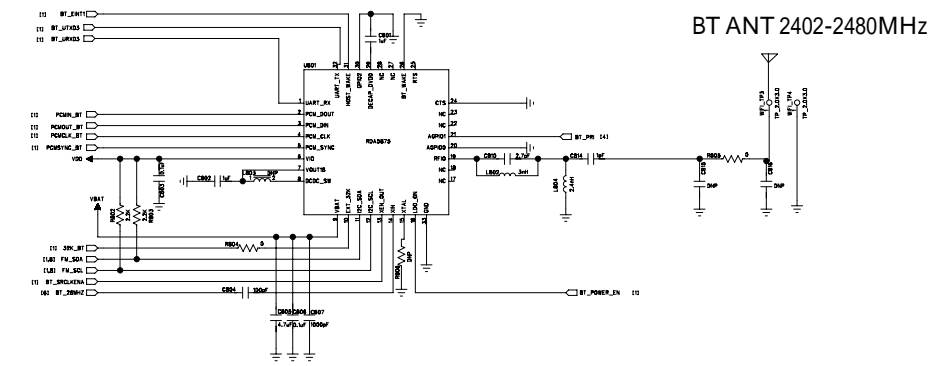


KEYPAD

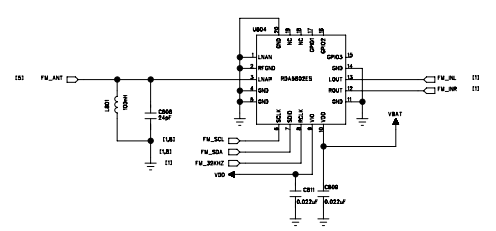


DRAWN		DATED		COMPANY:			
CHECKED		DATED		TITLE:			
QUALITY CONTROL		DATED		KEYPAD			
RELEASED		DATED		CODE	SIZE	DRAWING NO.	REV
				SCALE:		SHEET: OF	

REVISION RECORD			
LTR	ECO NO.	APPROVED	DATE



BLUETOOTH



DRAWN		DATED		COMPANY:	
CHECKED		DATED		TITLE: BT_FM	
QUALITY CONTROL		DATED		CODE	SIZE
RELEASED		DATED		DRAWING NO.	
				REV	
				SCALE:	
				SHEET: 07	