

6

5

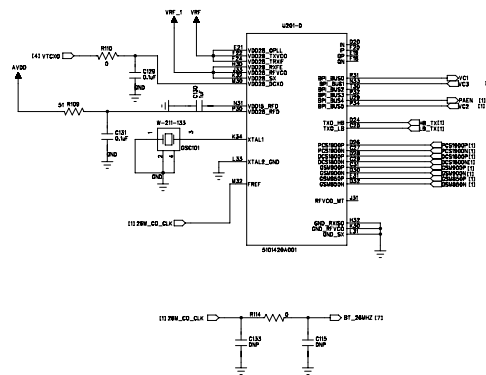
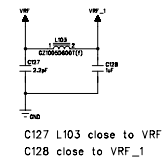
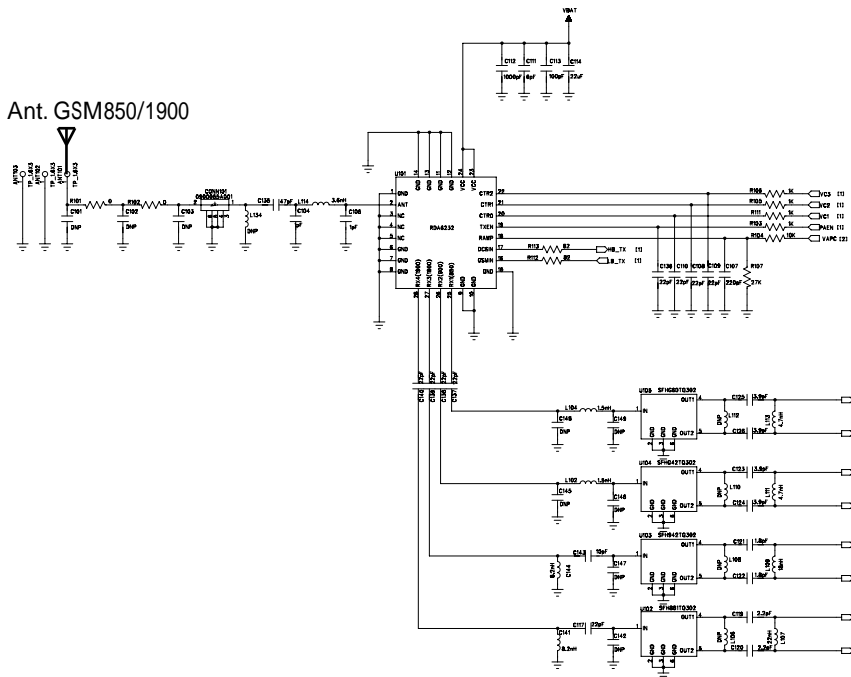
4

3

2

1

Ant. GSM850/1900



REVISION RECORD			
LT#	ECO NO.	APPROVED	DATE

COMPANY:					
TITLE: Verykool R23					
DESIGN:	DATE:	COORD:	SIZE:	DRAWING NO:	REV:
CHECKED:	DATE:				
QUALITY CONTROL:	DATE:				
RELEASED:	DATE:				
SCALE:				SHEET: 01	

D

C

B

A

D

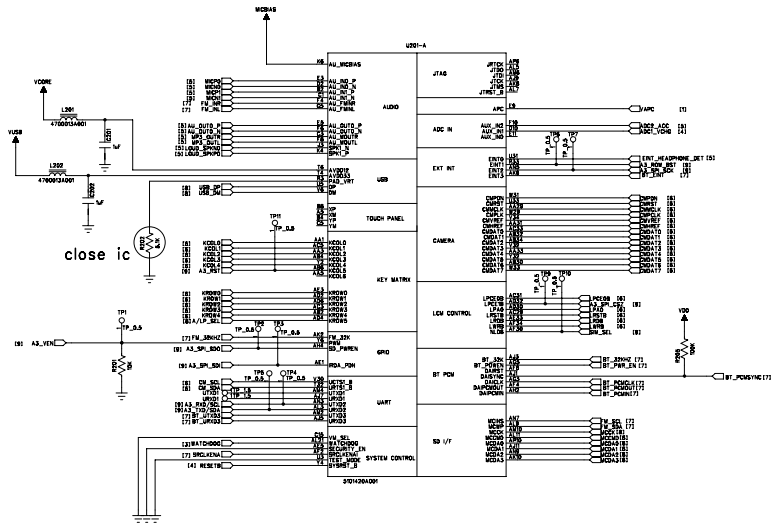
C

B

A

6 5 4 3 2 1

REVISION RECORD			
LTR	ECO NO.	APPROVED	DATE

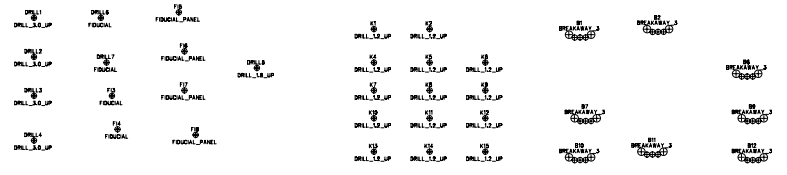
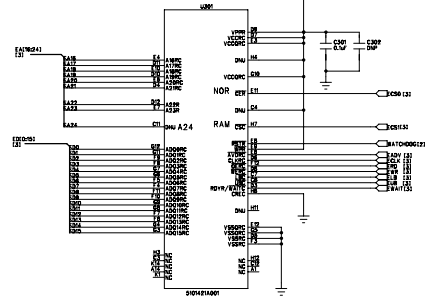
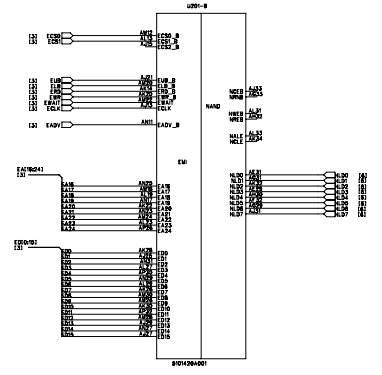


D
C
B
A

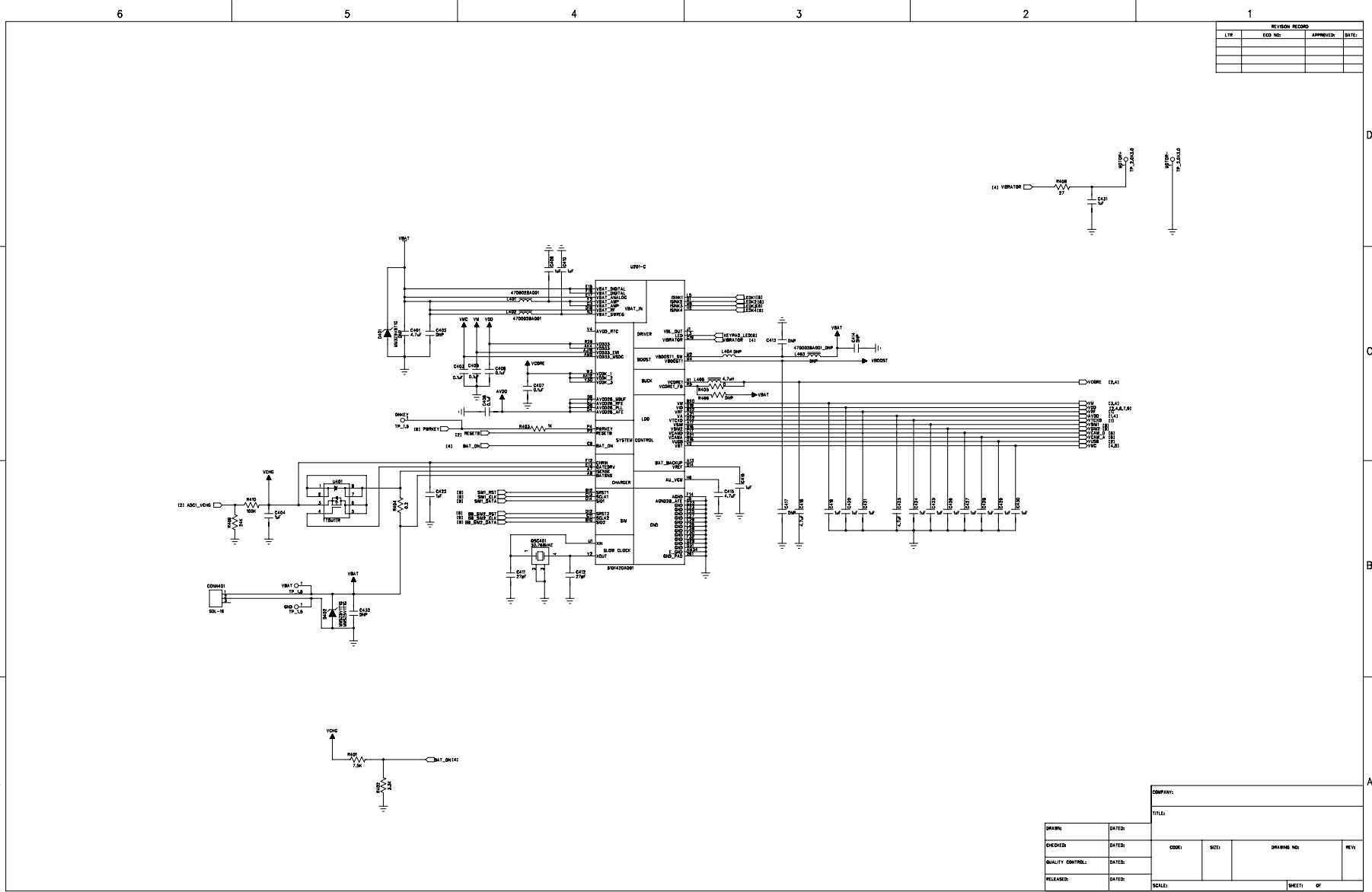
D
C
B
A

COMPANY:					
TITLE:					
DRAWN:	DATE:	2009/1/8	CODE:	SIZE:	DRAWING NO:
CHECKED:	DATE:				REV:
QUALITY CONTROL:	DATE:				
RELEASED:	DATE:		SCALE:	SHEET: OF	

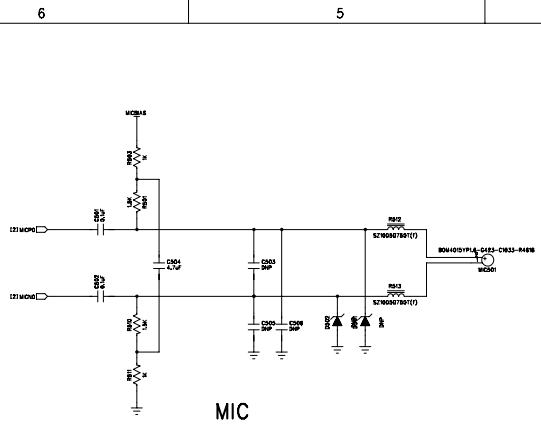
RYBOW MICRO			
LT#	EXP. NO.	APPROVED	DATE



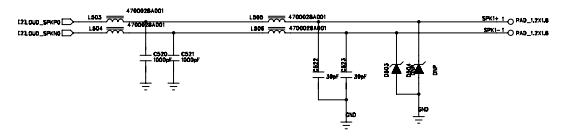
DRAWN		DATED		2009/7/8		COMPANY:	
CHECKED		DATED				TITLE:	
QUALITY CONTROL		DATED				COORD	SIZE
RELEASED		DATED				DRAWING NO.	REV
						SCALE:	SHEET: OF



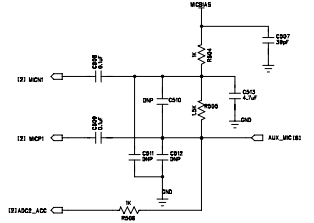
REVISION RECORD			
LT#	ECO NO.	APPROVED	DATE



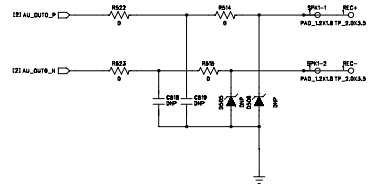
MIC



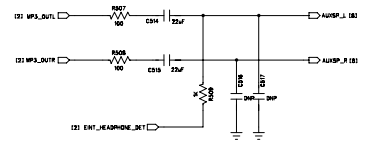
SPEAKER1



Headset MIC



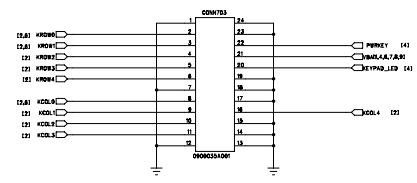
RECEIVER



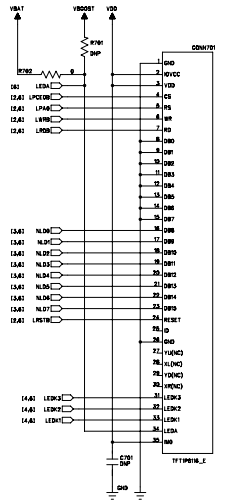
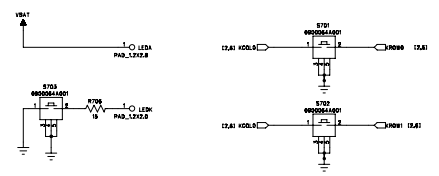
Headset spk

DRAWN		DATED		2009/7/8		COMPANY:	
CHECKED:		DATED				TITLE:	
QUALITY CONTROL:		DATED		CODE:	SIZE:	DRAWING NO:	REV:
RELEASED:		DATED		SCALE:		SHEET: 07	

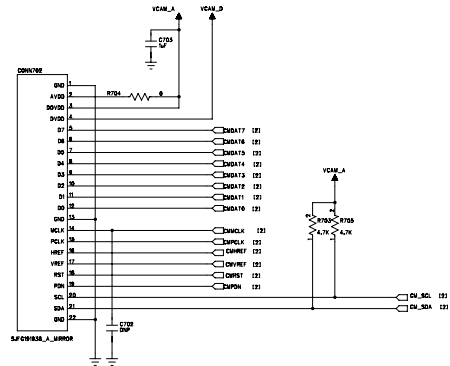
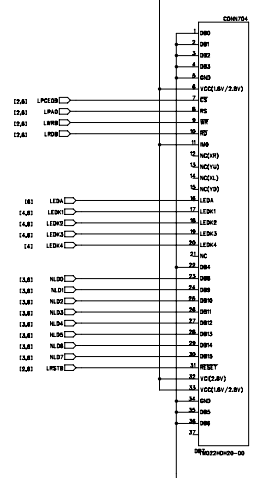
REVISION RECORD			
LTR	ECO NO.	APPROVED	DATE



KEYPAD



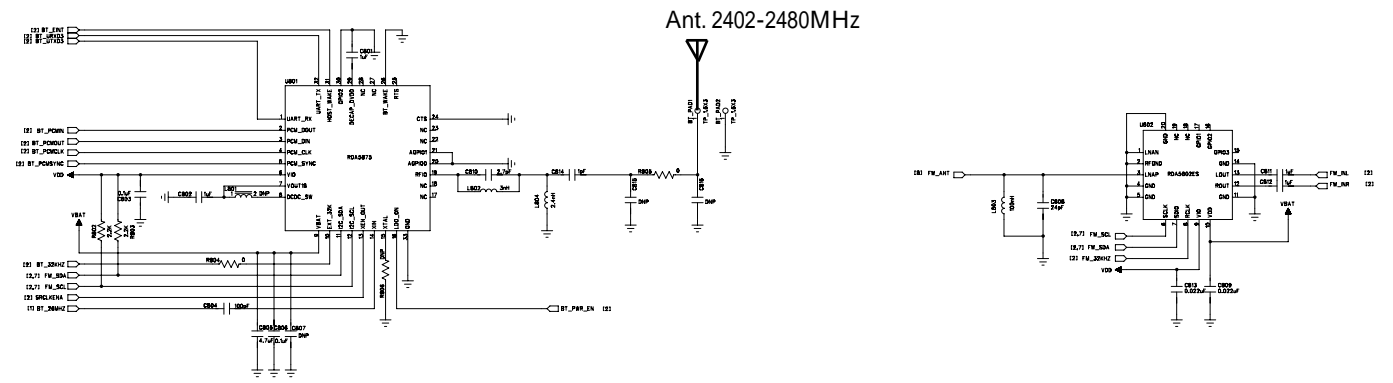
LCD MODULE



CAMERA

DRAWN		DATED		2009/7/8		COMPANY:	
CHECKED		DATED				TITLE:	
QUALITY CONTROL		DATED				CODE	SIZE
RELEASED		DATED				DRAWING NO.	REV
						SCALE:	SHEET: OF

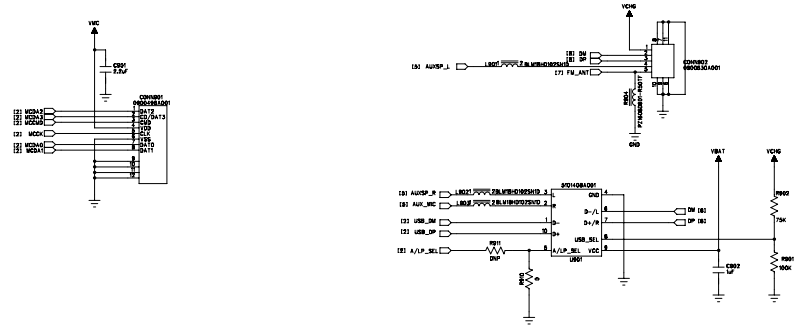
REVISION RECORD			
LTR	ECO NO.	APPROVED	DATE



BLUETOOTH

DRAWN		DATED		2009/7/8		COMPANY:	
CHECKED		DATED				TITLE:	
QUALITY CONTROL		DATED				CODE:	SIZE:
RELEASED		DATED				DRAWING NO:	
						REV:	
						SCALE:	
						SHEET: 07	

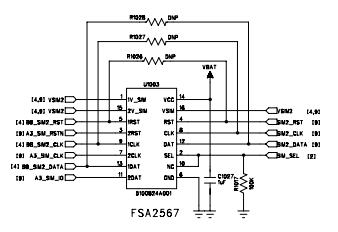
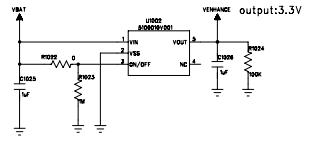
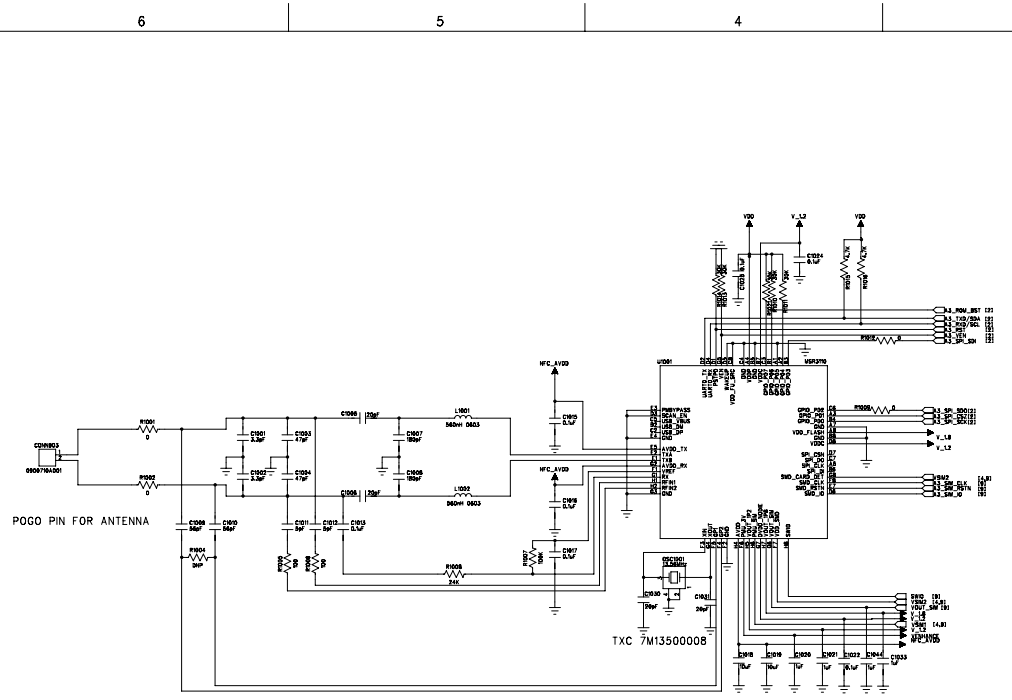
REVISION RECORD			
LT#	ECO NO.	APPROVED	DATE



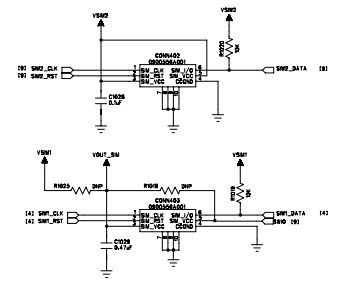
DRAWN		DATED		COMPANY:	
CHECKED		DATED		TITLE:	
QUALITY CONTROL		DATED		CODE:	SIZE:
RELEASED		DATED		DRAWING NO:	
					REV:
SCALE:				SHEET: OF	

REVISION RECORD			
LT#	ECO NO.	APPROVED	DATE

MSR3110	Baseband
A3_ROM_RST	INT/GPIO
A3_RST	GPIO(pull up)
A3_VEN	GPIO(pull up)
A3_TXD/SDA	UART_RXD/GPIO
A3_RXD/SCL	UART_TXD/GPIO
A3_SPI_SDI	GPIO
A3_SPI_SDO	GPIO
A3_SPI_CSZ	GPIO
A3_SPI_SCK	GPIO
SIM_SEL	GPIO(pull down)
VDD	System Voltage
VBAT	Battery Voltage
VSIM1	VSIM1 OUTPUT
VSIM2	VSIM2 OUTPUT
V_1.2/V_1.8/NFC_AVDD BY MSR3110	



SIM_SEL=0:SWITCH TO OUTPUT(default)
SIM_SEL=1:SWITCH TO OUTPUT2



COMPANY:					
TITLE:					
DRAWN:	DATE:	CODE:	SIZE:	DRAWING NO:	REV:
CHECKED:	DATE:				
QUALITY CONTROL:	DATE:				
RELEASED:	DATE:	SCALE:		SHEET:	OF