

6

5

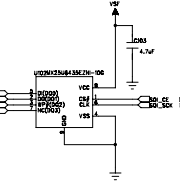
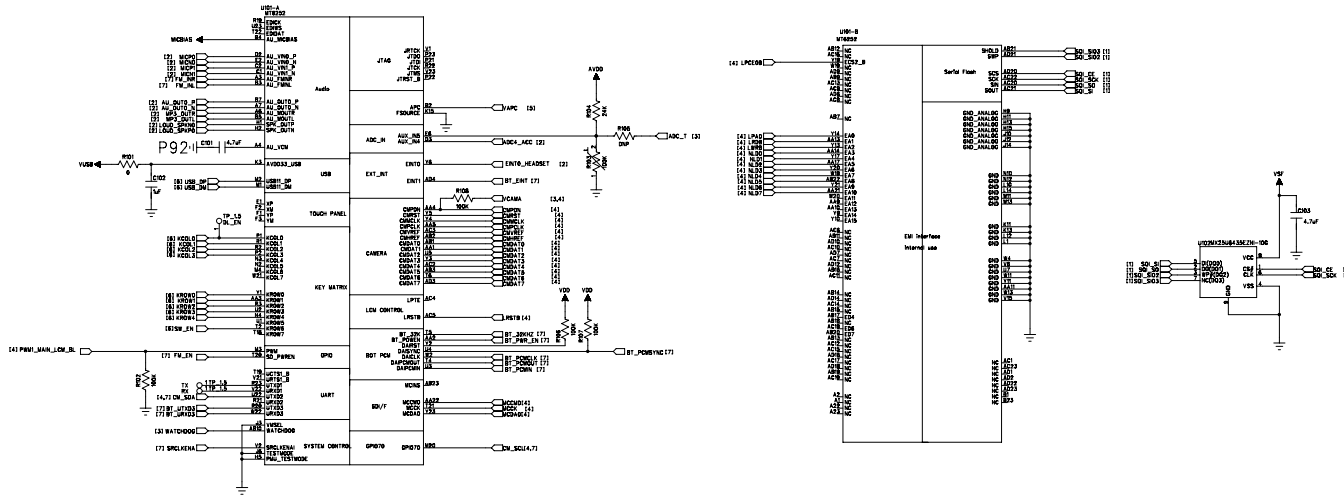
4

3

2

1

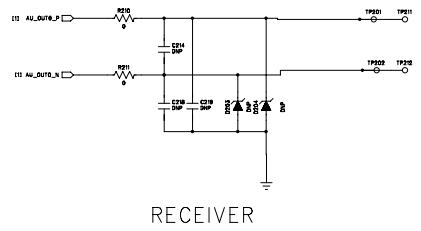
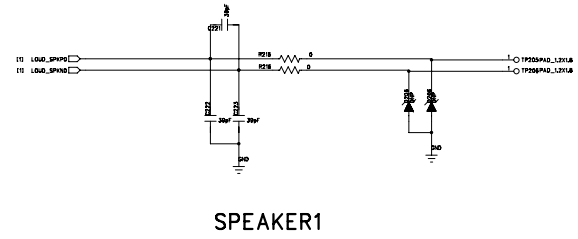
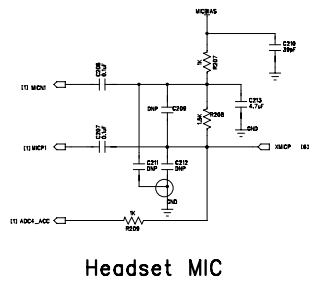
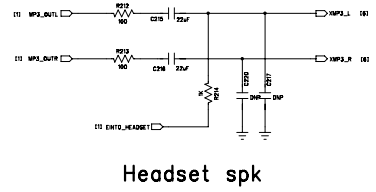
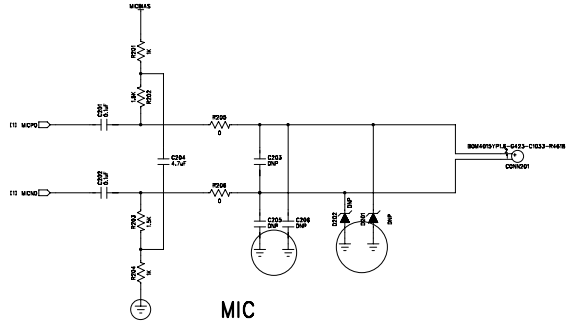
REVISION RECORD			
LTN	ECO NO.	APPROVED:	DATE:



DRAWN:		DATED:		COMPANY: R16	
CHECKED:		DATED:		TITLE: BB_MEMORY	
QUALITY CONTROL:		DATED:		CODE:	SIZE:
RELEASED:		DATED:		DRAWING NO.	
					REV:
				SCALE:	SHEET: OF

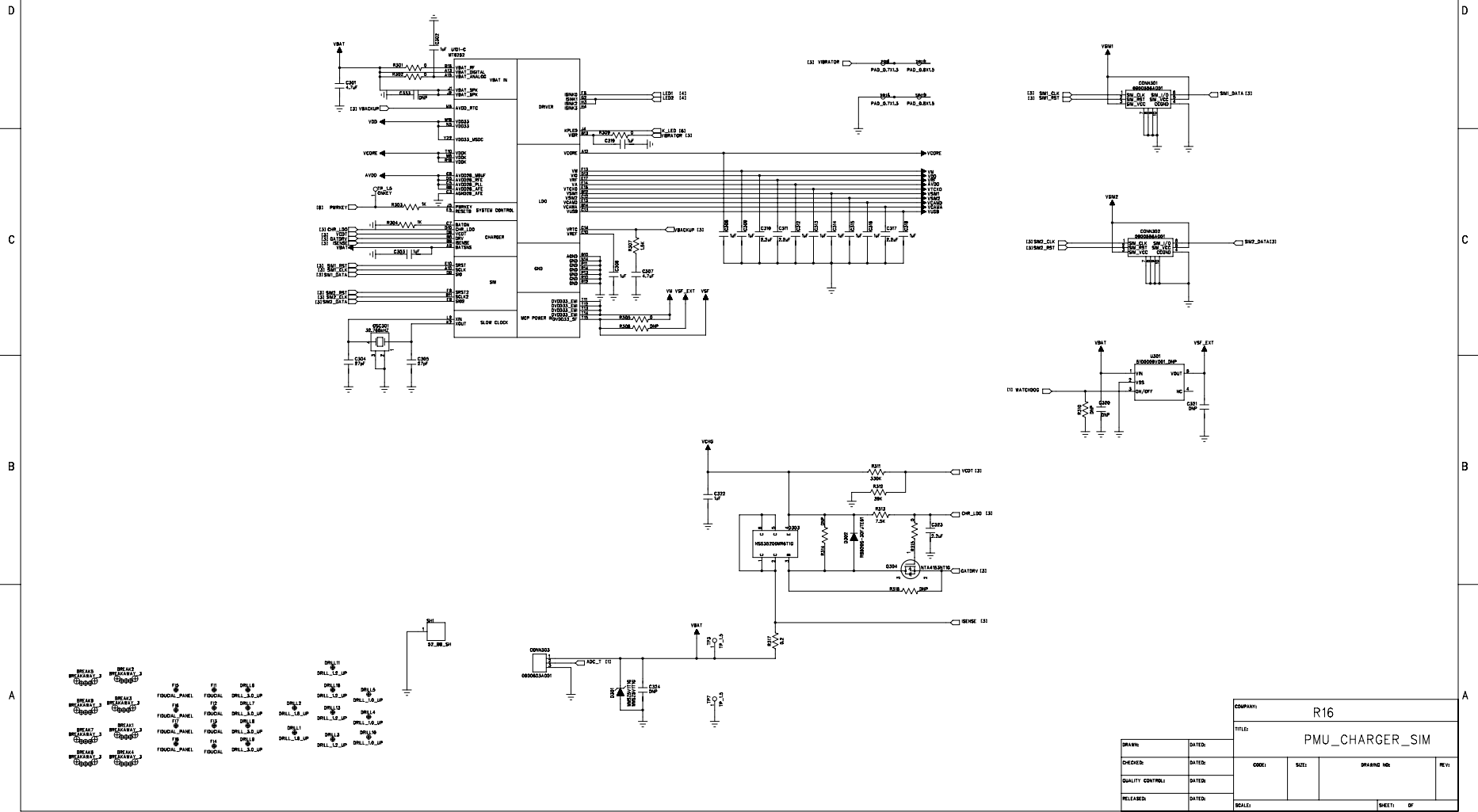
6 5 4 3 2 1

REVISION RECORD			
LTR	ECO NO	APPROVED	DATE



COMPANY:		R16	
TITLE:		AUDIO	
DRAWN:	DATED:	CODE:	SIZE:
CHECKED:	DATED:	DRAWING NO:	REV:
QUALITY CONTROL:	DATED:		
RELEASED:	DATED:	SCALE:	SHEET: OF

REVISION RECORD			
LTN	ECD NO.	APPROVED	DATE



BREAK1	BREAK2	BREAK3	BREAK4	BREAK5	BREAK6	BREAK7	BREAK8	BREAK9	BREAK10	BREAK11	BREAK12	BREAK13	BREAK14	BREAK15	BREAK16	BREAK17	BREAK18	BREAK19	BREAK20	BREAK21	BREAK22	BREAK23	BREAK24	BREAK25	BREAK26	BREAK27	BREAK28	BREAK29	BREAK30	BREAK31	BREAK32	BREAK33	BREAK34	BREAK35	BREAK36	BREAK37	BREAK38	BREAK39	BREAK40	BREAK41	BREAK42	BREAK43	BREAK44	BREAK45	BREAK46	BREAK47	BREAK48	BREAK49	BREAK50	BREAK51	BREAK52	BREAK53	BREAK54	BREAK55	BREAK56	BREAK57	BREAK58	BREAK59	BREAK60	BREAK61	BREAK62	BREAK63	BREAK64	BREAK65	BREAK66	BREAK67	BREAK68	BREAK69	BREAK70	BREAK71	BREAK72	BREAK73	BREAK74	BREAK75	BREAK76	BREAK77	BREAK78	BREAK79	BREAK80	BREAK81	BREAK82	BREAK83	BREAK84	BREAK85	BREAK86	BREAK87	BREAK88	BREAK89	BREAK90	BREAK91	BREAK92	BREAK93	BREAK94	BREAK95	BREAK96	BREAK97	BREAK98	BREAK99	BREAK100
--------	--------	--------	--------	--------	--------	--------	--------	--------	---------	---------	---------	---------	---------	---------	---------	---------	---------	---------	---------	---------	---------	---------	---------	---------	---------	---------	---------	---------	---------	---------	---------	---------	---------	---------	---------	---------	---------	---------	---------	---------	---------	---------	---------	---------	---------	---------	---------	---------	---------	---------	---------	---------	---------	---------	---------	---------	---------	---------	---------	---------	---------	---------	---------	---------	---------	---------	---------	---------	---------	---------	---------	---------	---------	---------	---------	---------	---------	---------	---------	---------	---------	---------	---------	---------	---------	---------	---------	---------	---------	---------	---------	---------	---------	---------	---------	---------	---------	---------	----------

COMPANY:	R16				
TITLE:	PMU_CHARGER_SIM				
DRAWN:	DATE:	CODE:	SIZE:	DRAWING NO:	REV:
CHECKER:	DATE:				
QUALITY CONTROL:	DATE:				
RELEASED:	DATE:	SCALE:		SHEET:	OF

6

5

4

3

2

1

REVISION RECORD			
LTN	ECO NO.	APPROVED:	DATE

D

C

B

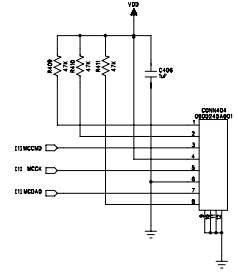
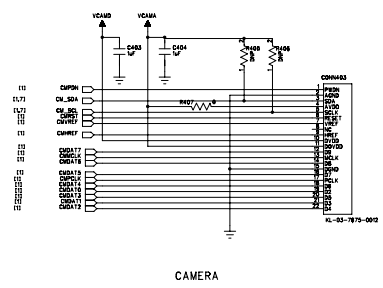
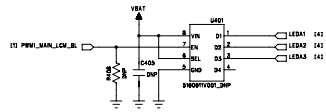
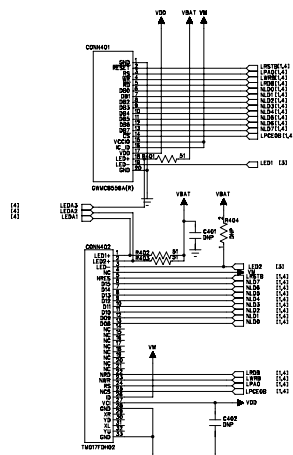
A

D

C

B

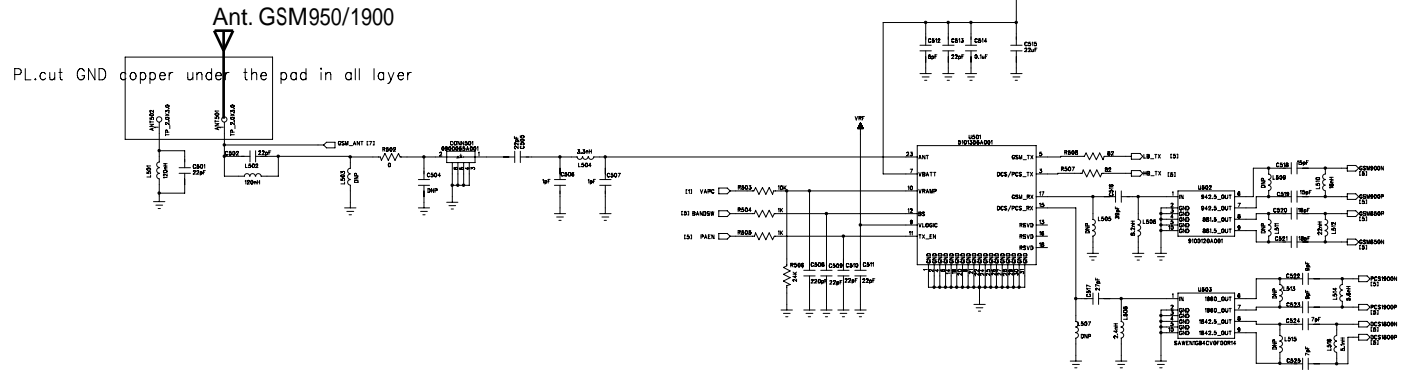
A



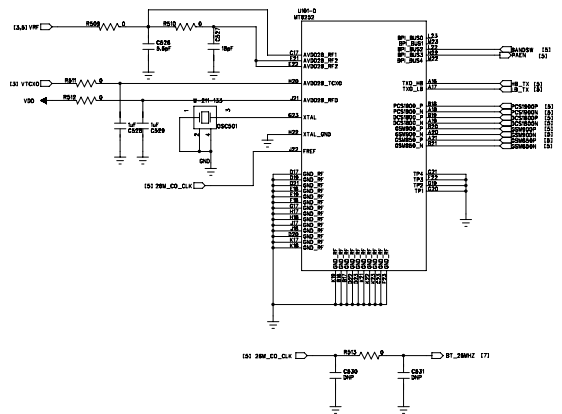
DRAWN:		DATED:		COMPANY:		R16	
CHECKER:		DATED:		TITLE:		LCM_CAMERA_TF	
QUALITY CONTROL:		DATED:		CODE:	SIZE:	DRAWING NO.:	REV.:
RELEASED:		DATED:		SCALE:		SHEET: OF	

6 5 4 3 2 1

REVISION RECORD			
LT#	ECO NO.	APPROVED:	DATE:



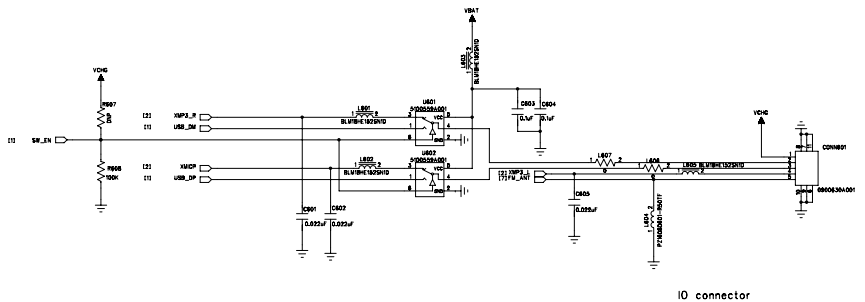
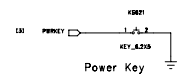
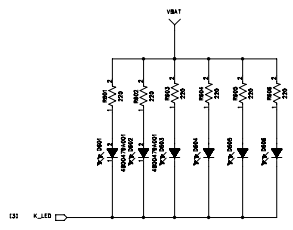
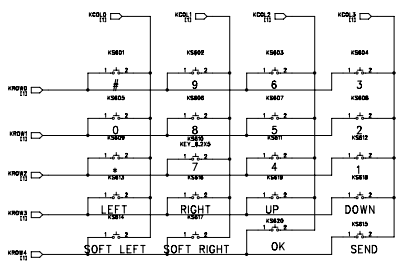
PL.cut GND copper under the pad in all layer



COMPANY:		R16			
TITLE:		RF			
DRAWN:	DATED:	CODE:	SIZE:	DRAWING NO.:	REV:
CHECKED:	DATED:				
QUALITY CONTROL:	DATED:				
RELEASED:	DATED:	SCALE:		SHEET:	OF

6 5 4 3 2 1

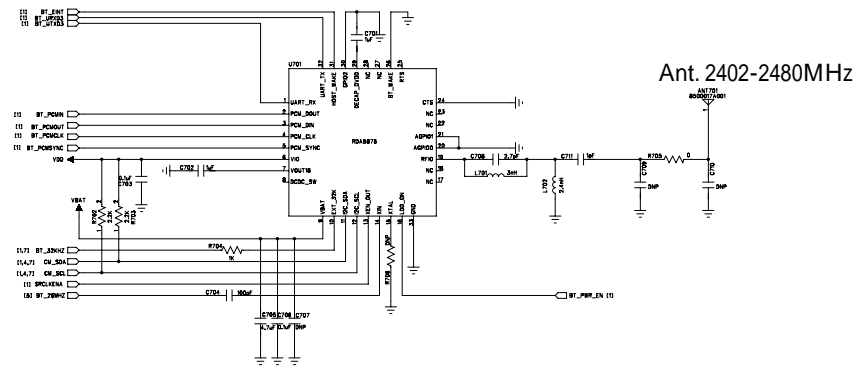
REVISION RECORD			
LT#	ECO NO.	APPROVED:	DATE:



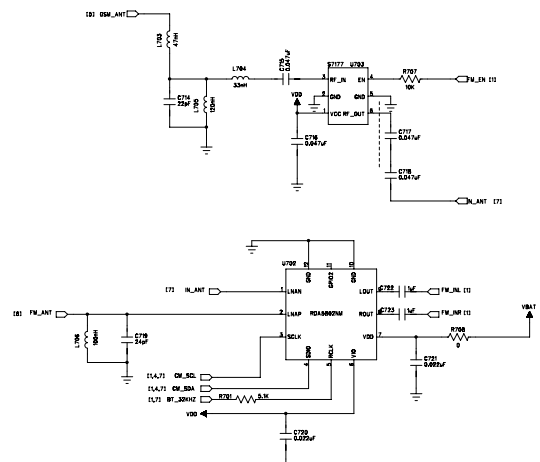
IO connector

COMPANY:		R16			
TITLE:		KEYPAD_IO			
DRAWN:	DATED:	CODE:	SIZE:	DRAWING NO.:	REV.:
CHECKED:	DATED:				
QUALITY CONTROL:	DATED:				
RELEASED:	DATED:	SCALE:	SHEET: OF		

REVISION RECORD			
LTN	ECO NO.	APPROVED:	DATE



BLUETOOTH



FM

COMPANY:		R16			
TITLE:		FM_BT			
DRAWN:	DATED:	CODE:	SIZE:	DRAWING NO.:	REV.:
CHECKED:	DATED:				
QUALITY CONTROL:	DATED:				
RELEASED:	DATED:	SCALE:	SHEET: OF		