

CONTENT

1. WARNINGS.....	1
2. GETTING STARTED.....	3
2.1 APPEARANCE.....	3
2.2 KEYPAD DEFINITION.....	4
2.3 BATTERY INSTALLATION.....	5
2.4 SIM CARD/T-FLASH CARD INSTALLATION.....	5
2.5 CHARGING THE BATTERY.....	6
2.6 SECURITY SETTINGS.....	6
2.7 T-FLASH CARD.....	7
2.8 USB CABLE.....	7
3. BASIC FUNCTIONS.....	7
3.1 MAKING A CALL.....	7
3.2 EMERGENCY SERVICE.....	8
3.3 ANSWERING A CALL.....	8
3.4 REJECTING A CALL.....	8
4. GUIDE TO MENU OPERATIONS.....	8
4.1 FILE MANAGER.....	8
4.2 PHONEBOOK.....	8
4.3 FUN.....	9
4.3.1 GAMES.....	9
4.4 CALL CENTER.....	9
4.4.1 CALL HISTORY.....	9
4.4.2 CALL SETTINGS.....	10
4.5 MESSAGING.....	10
4.6 MULTIMEDIA.....	13
4.6.1 CAMERA.....	13
4.6.2 IMAGE VIEWER.....	13
4.6.3 VIDEO RECORDER.....	13
4.6.4 VIDEO PLAYER.....	13

4.6.5 AUDIO PLAYER.....	13
4.6.6 SOUND RECORDER.....	14
4.6.7 FM RADIO.....	14
4.7 ORGANIZER.....	14
4.7.1 CALENDAR.....	14
4.7.2 ALARM.....	14
4.8 SETTINGS.....	14
4.8.1 DUAL SIM SETTINGS.....	14
4.8.2 PHONE SETTINGS.....	15
4.8.3 NETWORK SETTINGS.....	15
4.8.4 SECURITY SETTINGS.....	15
4.8.5 RESTORE FACTORY SETTINGS.....	16
4.9 USER PROFILES.....	16
4.10 EXTRA.....	17
4.10.1 CALCULATOR.....	17
4.10.2 EBOOK READER.....	17
4.11 SERVICES.....	17
4.11.1 INTERNET SERVICE.....	17
4.11.2 STK.....	17
4.12 CONNECTIVITY.....	17
4.12.1 BLUETOOTH.....	17
4.12.2 DATA CONNECTION.....	18
4.12.3 DATA ACCOUNTS.....	18
5. ENTRY MODE.....	18
6. CARE AND MAINTENANCE.....	19
7. TECHNICAL INFORMATION.....	21
8. FCC STATEMENT.....	22
9. SAR INFORMATION STATEMENT.....	23
10. BODY-WORN OPERATION.....	24

1. Warnings

Not following these simple guidelines may be dangerous or illegal. Read the complete user guide for further information.

TURN ON SAFELY

Do not turn on the phone when wireless phone is prohibited or when it may cause interference or danger.

ROAD SAFETY

Obey all road safety laws. Always use both of your hands to operate the vehicle while driving.

INTERFERENCE

All wireless phones may be sensitive to interference, which may affect performance.

TURN OFF IN HOSPITALS

Follow all restrictions. Turn off the phone near medical equipment.

TURN OFF ON AIRCRAFTS

Follow all restrictions. Wireless devices can cause interference on aircrafts.

TURN OFF WHEN REFUELING

Do not use the phone at/near refueling stations. Do not use near fuel or chemicals.

USE SENSIBLY

Only qualified personnel may install or repair this product.

ENHANCEMENTS AND BATTERIES

Use only appropriate enhancements and batteries. Do not connect incompatible products.

WATER-RESISTANCE

Your phone is not water-resistant. Keep it dry.

BACKUP COPIES

Remember to make back-up copies or keep a written record of all important information stored in your phone.

CONNECTING TO OTHER DEVICES

When connecting to any external device, read its user guide for detailed safety instructions. Do not connect with incompatible products.

2. Getting Started

2.1 Appearance



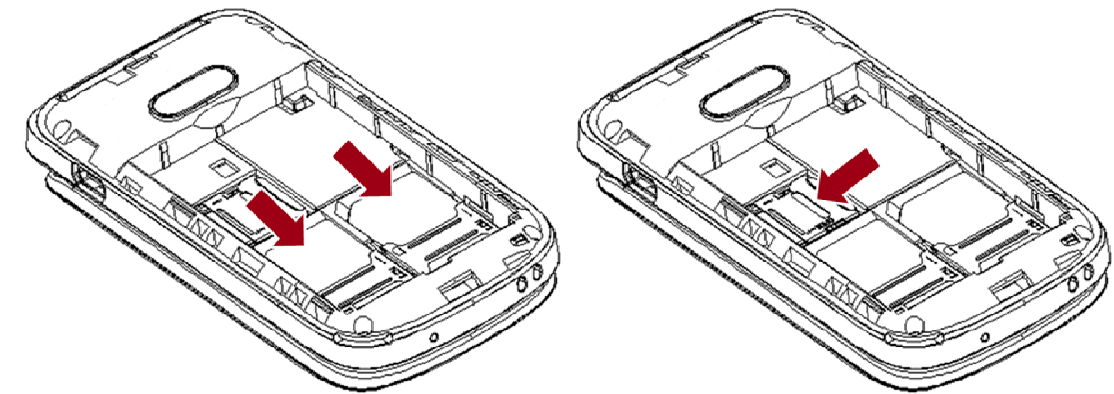
The Symbols above indicate:

- | | |
|-------------------|-----------------------|
| 1. Speaker | 2. Receiver |
| 3. Display Screen | 4. Left Soft Key |
| 5. Dial Key | 6. Number Keys |
| 7. * Key | 8. Navigation Keys |
| 9. Right Soft Key | 10. End Key/Power Key |
| 11. OK Key | 12. # Key |
| 13. USB Interface | 14. Camera |
| 15. Battery Cover | |

2.2 Keypad Definition

Key	Definitions
Left Soft key/ Right Soft key	1. Execute functions that the left-down/right-down corner indicator shows. 2. In the standby mode, press left soft key to access Menu, press right soft key to access Names.
Navigation Keys	1. Press the keys to select menu or options.
OK Key	1. In standby mode, press the key to dial panel. 2. In dial panel, after inputting numbers, press this key to select SIM1/2 voice call. 3. In other mode, press the key for confirmation.
End Key/ Power Key	1. Mainly used as power on/off. 2. Press to return to standby screen in any interface. 3. End calls or reject incoming calls. 4. In standby mode, press End key to lock keypad. When the keypad is locked, press left soft key and End key to unlock.
Dial Key	1. Press this key to dial or receive an incoming call. 2. In standby mode, press this key to access All calls.

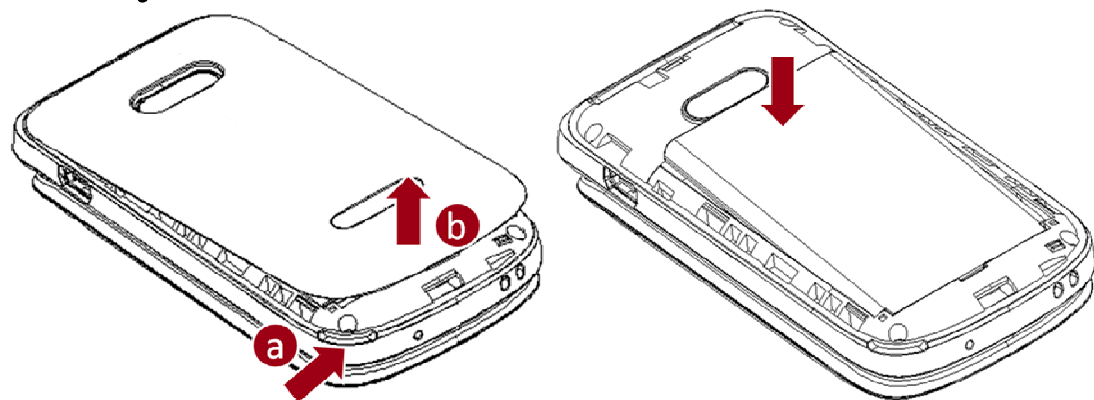
Number Keys	1. Use these keys to input numbers or letters.
* Key	1. After inputting phone number, quick press * key thrice, then the symbol “p” appears and input the extension number. You can make an extension call.
# Key	1. In text editing interface, press # key to switch the text input method. 2. Press and hold # key to transfer the profile of current mode and Silent mode.



Caution: Do not bend or scratch your SIM card and T-Flash card. Avoid exposing your SIM card and T-Flash card to static electricity, water, or dirt.

Tips: Face the gold color contact point of SIM card towards the cell phone and push the SIM card into the slot. With the metal contacts facing down, gently slide the T-Flash card into the slot. Press and pull the cover up to lock it.

2.3 Battery Installation



Caution: Install according to the illustration above to avoid breaking the battery connectors.

2.4 SIM Card/T-Flash Card Installation

2.5 Charging the Battery

Insert the charger into USB interface of the phone; the flash symbol on the charger plug must face upward.

Connect the charger to a standard wall outlet and the battery power icon in the up-right corner of the screen will start scrolling. When the battery bar stops scrolling, the battery charge is complete. Press the two sides of the charger plug and disconnect the charger from the phone.

- When the battery is low, a “low battery” message will display across the screen and the battery icon will seem empty. If the battery level is insufficient, the phone will turn off automatically. Do not use your phone under low battery state for an extended period of time or it may cause battery damage.

2.6 Security Settings

— PIN code

PIN code (Personal Identity Number) prevents unauthorized use of your phone. The **PIN** code is provided by your network operator with the **SIM** card.

If you enter the wrong code three times in a row, the **PIN** code will be blocked. To unblock the **PIN** code, you need to enter your PUK. Your PUK is provided by your network operator.

— Phone Lock

Activate/Modify/Deactivate power on password (the length of the password is 4-8 digital numbers). If you activate the “Phone lock”, you need to enter the password each time you turn on the phone. If you want to modify the Startup password or deactivate power on password, enter Change password to set.

2.7 T-flash Card

Insert the T-Flash card into phone. This will expand the Flash memory of the phone.

2.8 USB Cable

You can transfer and store files, such as MP3, MP4 and pictures from PC, through USB cable, to the mass storage in phone or identified SD card that is inserted.

3. Basic Functions

3.1 Making a Call

In standby mode, press numerical keys to input phone number to dial. If you're making a long distance call, add the area code preceding the telephone number. After

inputting phone number, quickly press * key thrice until the symbol “p” appears, then input the extra number. Press left soft key to access options. During a call, press up/down navigation keys to adjust the volume.

3.2 Emergency Service

You can dial an emergency call without the SIM card. Contact your service provider to get the emergency call number.

3.3 Answering a Call

When you receive a call, the phone will ring or vibrate and will display an incoming call indicator. Press dial key, left soft key, or OK key to answer. During the calling, you can press left soft key to access options: Hold, End single call, Phonebook, Call history, Messaging, Sound recorder, and Mute.

3.4 Rejecting a Call

You can press end key or right soft key to reject a call.

4. Guide to Menu Operations

4.1 File Manager

Enter this menu; you can check the files store on memory card. Select one file and press left soft key, you can do options.

4.2 Phonebook

In the phonebook, you can store contacts' personal information and numbers while also search for previously

stored contacts.

— Select Add new contact:

You can save new contact To SIM1/2 or To Phone.

— Select one contact and press left soft key to access options:

- View: Check the detailed information of the contact
- Send text message: Edit text message and select SIM1/2 to send message
- Send multimedia message: Edit multimedia message and select SIM1/2 to send message
- Call: Select SIM1/2 voice call to call the number
- Edit: Edit the contact
- Delete: Confirm whether to delete the contact
- Copy: Copy the contact To Phone, To SIM1, or To SIM2
- Add to Blacklist: Add the number to blacklist
- Mark several: Mark one or more contacts
- Phonebook settings: Set Speed dial, Extra numbers, etc

4.3 Fun

4.3.1 Games

This phone supplies built-in game and you can select Games settings to set.

4.4 Call Center

4.4.1 Call History

In the call history menu, you can check dialled calls, received calls, missed calls, etc.

- Missed Calls: Display the latest missed calls list.
- Dialled Calls: Display the latest dialled calls list.
- Received Calls: Display the latest received calls list.

— Delete call logs: Delete all records.

4.4.2 Call Settings

—SIM1/2 Call Settings

• Call Waiting

Set the mode of call waiting, this function need to be activated.

• Call Divert

When the call divert is activated, incoming calls will be diverted to voice mail or other phone numbers according to the call divert settings.

• Call Barring

When the call barring is activated, some of the calls will be barred according to the call barring setting condition.

Contact your service provider to sign up for call barring.

• Line Switching

Switch the line between Line 1 and Line 2.

— Advanced Settings

• Blacklist

Select whether to Reject number in blacklist and edit Blacklist numbers.

• Auto Redial

Set: On/ Off.

• Call Time Reminder

Set: Off/ Single/ Periodic.

• Answer Mode

Set: Cover answer, Any key or Auto answer when headset mode

4.5 Messaging

4.5.1 Write Message

4.5.1.1 Text Message

This function can begin a new text message. After completing the message:

- Press OK key:
- Enter number: Input number
- Add from Phonebook: Select contact from phonebook
- Press left soft key:
- Send to: Enter number or Add from Phonebook to send message
- Input method: Select input method
- Advanced: Insert number, name
- Save: Save the message to drafts

4.5.1.2 Multimedia Message

This function can begin a new multimedia message.

4.5.2 Inbox

After entering the Inbox, press navigation key to select messages. Press OK key to check the details of message, or press left soft key to access Options:

- View: Check the message
- Reply by SMS: Reply text message to the sender
- Reply by MMS: Reply multimedia message to the sender
- Call sender: Select SIM1/2 voice call to call the sender
- Forward: Send the message to others
- Delete: Confirm whether to delete the message
- Delete all: Confirm whether to delete all messages
- Save to Phonebook: Save the sender's number to phonebook

4.5.3 Drafts

You can save unsent and edit incomplete messages in draft box. Press left soft key to access to Options:

- View: Check the message
- Send: Enter number or Add from Phonebook and select SIM1/2 to send the message
- Edit: Edit the message
- Delete: Confirm whether to delete the message
- Delete all: Confirm whether to delete all messages

4.5.4 Outbox

Checks the information of unsuccessfully sent message in outbox. Press left soft key to access to Options:

- View: Check the message
- Resend: Send the message once more
- Edit: Edit the message
- Delete: Confirm whether to delete the message
- Delete all: Confirm whether to delete all messages

4.5.5 Sent Messages

Check the message in sent box. Select one message to open, or press left soft key to access Options:

- View: Check the message
- Forward: Send the message to others
- Delete: Confirm whether to delete the message
- Delete all: Confirm whether to delete all messages

4.5.6 SMS Settings

- Text message: Set parameters related to text message

- Multimedia message: Set parameters related to multimedia message
- Service message: Enable push or set Service loading

4.6 Multimedia

4.6.1 Camera

Press left soft key or OK key to enter. The photo can be previewed in the screen; press OK key to shoot and right soft key to back, left soft key to access Options.

4.6.2 Image Viewer

Enter image viewer, you can choose photos to view or return. Press left soft key to access to Options: View, Send, Use as, Rename, Delete, Sort by, and Image information.

4.6.3 Video Recorder

After enter video recorder, press OK key to shoot, press left soft key to access Options, press right soft key to back.

4.6.4 Video Player

Preview the videos. Press * key and # key to adjust volume. Press navigation keys and OK key to operate the video player. Press left soft key to access Options.

4.6.5 Audio Player

This function menu is used to store and play the audio files. Press the left soft key or OK key to enter and then use the navigation keys and OK key to operate audio player. Press * key and # key to adjust volume. Press left soft key you can access List.

4.6.6 Sound Recorder

You can take a recorder in this function. Press OK key or left soft key to enter and select New record to record. After record, press left soft key to access Options. After entering the record file list, select one file, press left soft key to access Options.

4.6.7 FM Radio

Enter FM radio (insert earphone). Press OK key to turn on/off the radio. Press left/right navigation keys to change channels, press up/down navigation keys to change frequency manually, press * key and # key to adjust volume. Press the left soft key to access Options.

4.7 Organizer

4.7.1 Calendar

You can use this feature to view the year, date and term easily. Use navigation keys to navigate other date. Press left soft key, you can enter to submenu to do options.

4.7.2 Alarm

The alarm clock feature sounds an alert or makes a vibration alert at a time you specify. There are 5 alarm clocks can be edit and set.

4.8 Settings

4.8.1 Dual SIM Settings

Select: Dual SIM open, Only SIM 1 open, or Only SIM 2 open

4.8.2 Phone Settings

— Time and Date

You can select Set home city, Set time/date, and Set format.

— Schedule Power On/Off

Set time to power on/off the phone automatically.

— Language

You can choose several languages under this function.

— Pref. Input Method

Select one input method as preferred input method.

— Display

• Wallpaper

You can set wallpaper under this function.

• Screen Auto Lock

Select time duration to lock screen automatically.

• Show Date and Time

Select On or Off.

— Flight Mode

Select Normal mode or Flight mode

— Misc. Settings

Select LCD backlight or Picture quality to set

4.8.3 Network Settings

— SIM1/SIM2

• Network Selection

This function can let you select the network manually or automatically.

— GPRS Transfer Pref.

Select Data prefer or Call prefer.

4.8.4 Security Settings

— SIM 1/SIM 2 Security

• PIN Lock

PIN number setting can avoid unauthorized usage of SIM card. If PIN number has been wrongly inputted for 3 times, the SIM card will be locked. PUK number is needed to unlock the SIM card. Please contact the network provider if you don't know the PUK number.

• Change PIN

Input old SIM1/2 PIN, and then input new PIN, input the PIN code again to confirm. Before change PIN, you need to turn on PIN lock.

• Change PIN2

Input old SIM1/2 PIN2, and then input new PIN2, input the PIN code again to confirm.

— Phone Security

• Phone Lock

Input phone password to turn on/off phone lock. The default password is 1122.

• Change Password

Input old password, and then input new password, input the new password again to confirm.

4.8.5 Restore Factory Settings

Input default password 1122 to restore factory settings.

4.9 User Profiles

This phone provides several profiles, by pressing left soft key or OK key, you can enter options to set (expect Silent): Activate, Customize, and Reset.

4.10 Extra

4.10.1 Calculator

This feature can use your phone as a calculator for simple calculations. Press number keys to enter the numbers. Use following keys to calculate:

Navigation keys: +, -, ×, ÷

OK key: Show the calculation result.

* Key: Input double 0

Key: Decimal point

4.10.2 Ebook Reader

Read E-Books stored on memory card. Select one txt file and press left soft key to do options.

4.11 Services

4.11.1 Internet Service

You can use the internet service to browse WAP pages.

Before using this application, you need to check the GPRS settings.

4.11.2 STK

If your SIM card supports STK function, the phone can display different first level menu according to different STK card. This function needs the network provider support. If user finds STK function can't operate normally, please contact the network provider. If the network provider does not support this function, we do not claim any responsibility whatsoever.

4.12 Connectivity

4.12.1 Bluetooth

This mobile phone support Bluetooth wireless connection. You can establish wireless connection between mobile phone and device to realize voice communication, data exchange and synchronization.

4.12.2 Data Connection

Select SIM 1 or SIM 2.

4.12.3 Data Accounts

You can select network account or press left soft key to do options.

5. Entry Mode

You can use several methods for entering text and numbers. By selecting a Text Entry Mode, the phone provides a few Text Entry Mode for new adding, editing contact records, finding contacts, editing SMS and writing memos.

Select Text Entry Mode:

5.1 Letter entry mode

Press a key once to insert the first letter on the key, twice for the second letter, etc. If you pause briefly, the last letter in the display is accepted and the text awaits the next entry. For example, press the "2" key continuously, it will appear "a"、"b"、"c"、"2"one by one.

5.2 Number entry mode

Number Entry Mode can input the number in the text, such as telephone number. Tap the proper number and input it.

6. Care and Maintenance

Battery care

- Your device is powered by a rechargeable battery. When the power is weak, please charge the battery. In order to extend the lifespan of the battery, use all the battery's power before recharging.
 - Unplug the charger from the electrical plug and the device when not in use. Do not leave the battery connected to a charger more than a week. Overcharging may shorten its lifespan.
 - Extreme temperatures can affect the ability of your battery to charge. Battery needs the fit temperature. If the surrounding temperature is over 40°C, the battery cannot be charged.
 - Use the battery only for its intended purpose. Never use any charger or battery that is damaged.
- Do not short-circuit the battery. Accidental short-circuiting can occur when a metallic object such as a coin, clip, or pen causes direct connection of the positive (+) and negative (-) terminals of the battery. (These look like metal strips on the battery.) Short-circuiting the terminals may damage the battery or the connecting object.
- Leaving the battery in hot or cold places, such as in a closed car in summer or a freezer in winter conditions, will reduce the capacity and lifetime of the battery. Always try to keep the battery between 59°F and 77°F (15°C and 25°C). A hot or cold battery may not function temporarily, even when the battery is fully charged.
 - Battery performance is particularly limited in temperatures below freezing.

- Do not dispose of batteries in a fire! Dispose of batteries according to local regulations. Please recycle when possible. Cell phones are not considered household waste.
- Caution: This phone has dual batteries. There is a switch near main battery inside the phone. Push this switch; you can shift it into dual batteries or single battery.

Mobile phone maintenance

- Keep the device dry. Precipitation, humidity, and all types of liquids or moisture can contain minerals that will corrode electronic circuits. If your device does get wet, remove the battery and allow the device to dry completely before replacing it.
- Do not use or store the device in dusty, dirty areas. Its moving parts and electronic components can be damaged.
- Do not store the device in hot areas. High temperatures can shorten the life of electronic devices, damage batteries, and warp or melt certain plastics.
- Do not store the device in cold areas. When the device returns to its normal temperature, moisture can form inside the device and damage electronic circuit boards.
- Do not attempt to open the device other than as instructed in this guide.
- Do not drop, knock, or shake the device. Rough handling can break internal circuit boards and fine mechanics.
- Do not use harsh chemicals, cleaning solvents, or strong detergents to clean the device.
- Do not paint the device. Paint can clog the moving parts and prevent proper operation.
- Use only the supplied or an approved replacement antenna. Unauthorized antennas, modifications, or attachments could damage the device and may violate regulations governing

radio devices.

All of the above suggestions apply to your device, battery, charger, or any enhancement. If any device is not working properly, take it to the nearest authorized service facility for service.

7. Technical Information

Weight: 69g (with battery)

Size: 89 ×44×16.2mm

Battery: 800mAh

Networks: GSM

Battery work times refer to the list below (Will not announce if the capacity is changed):

The operation time of the battery depends on conditions such as:

- Transmitting power level
- Signal (distance between the phone and the base station)
- Network parameters defined by the operator
- Phone use (WAP, games, SMS)
- Charging procedure used

Exclusions:

Subject to the exclusions contained below:

1. Damage due to the improper use.
2. User does not follow the manual.

Explanation:

The company has the final right of the explanation for this document.

Software upgrades will not be announced.

All the configurations mentioned in this user manual is

only for reference; please refer to the actual phone.

8. FCC Statement

1. This device complies with Part 15 of the FCC Rules.

Operation is subject to the following two conditions:

(1) This device may not cause harmful interference.

(2) This device must accept any interference received, including interference that may cause undesired operation.

2. Changes or modifications not expressly approved by the party responsible for compliance could void the user's authority to operate the equipment.

NOTE:

This equipment has been tested and found to comply with the limits for a Class B digital device, pursuant to Part 15 of the FCC Rules. These limits are designed to provide reasonable protection against harmful interference in a residential installation.

This equipment generates uses and can radiate radio frequency energy and, if not installed and used in accordance with the instructions, may cause harmful interference to radio communications. However, there is no guarantee that interference will not occur in a particular installation. If this equipment does cause harmful interference to radio or television reception, which can be determined by turning the equipment off and on, the user is encouraged to try to correct the interference by one or more of the following measures:

Reorient or relocate the receiving antenna.

Increase the separation between the equipment and receiver.

Connect the equipment into an outlet on a circuit different

from that to which the receiver is connected. Consult the dealer or an experienced radio/TV technician for help.

9. SAR Information Statement

Your wireless phone is a radio transmitter and receiver. It is designed and manufactured not to exceed the emission limits for exposure to radiofrequency (RF) energy set by the Federal Communications Commission of the U.S.

Government. These limits are part of comprehensive guidelines and establish permitted levels of RF energy for the general population. The guidelines are based on standards that were developed by independent scientific organizations through periodic and thorough evaluation of scientific studies. The standards include a substantial safety margin designed to assure the safety of all persons, regardless of age and health. The exposure standard for wireless mobile phones employs a unit of measurement known as the Specific Absorption Rate, or SAR. The SAR limit set by the FCC is 1.6 W/kg. * Tests for SAR are conducted with the phone transmitting at its highest certified power level in all tested frequency bands.

Although the SAR is determined at the highest certified power level, the actual SAR level of the phone while operating can be well below the maximum value. This is because the phone is designed to operate at multiple power levels so as to use only the power required to reach the network. In general, the closer you are to a wireless base station antenna, the lower the power output. Before a phone model is available for sale to the public, it must be tested

and certified to the FCC that it does not exceed the limit established by the government adopted requirement for safe exposure. The tests are performed in positions and locations (e.g., at the ear and worn on the body) as required by the FCC for each model. The highest SAR value for this model phone when tested for use at the ear is 0.649W/Kg and when worn on the body, as described in this user guide, is 0.877W/Kg(Body-worn measurements differ among phone models, depending upon available accessories and FCC requirements). While there may be differences between the SAR levels of various phones and at various positions, they all meet the government requirement for safe exposure. The FCC has granted an Equipment Authorization for this model phone with all reported SAR levels evaluated as in compliance with the FCC RFexposure guidelines. SAR information on this model phone is on file with the FCC and can be found under the Display Grant section of <http://www.fcc.gov/oet/fccid> after searching on FCC ID: WA6I316 Additional information on Specific Absorption Rates (SAR) can be found on the Cellular Telecommunications Industry Association (CTIA) web-site at <http://www.wow-com.com>. * In the United States and Canada, the SAR limit for mobile phones used by the public is 1.6 watts/kg (W/kg) averaged over one gram of tissue. The standard incorporates a substantial margin of safety to give additional protection for the public and to account for any variations in measurements.

10. Body-worn Operation

This device was tested for typical body-worn operations. To

comply with RF exposure requirements, a minimum separation distance of 15mm must be maintained between the user's body and the handset, including the antenna. Third-party belt-clips, holsters, and similar accessories used by this device should not contain any metallic components. Body-worn accessories that do not meet these requirements may not comply with RF exposure requirements and should be avoided. Use only the supplied or an approved antenna.