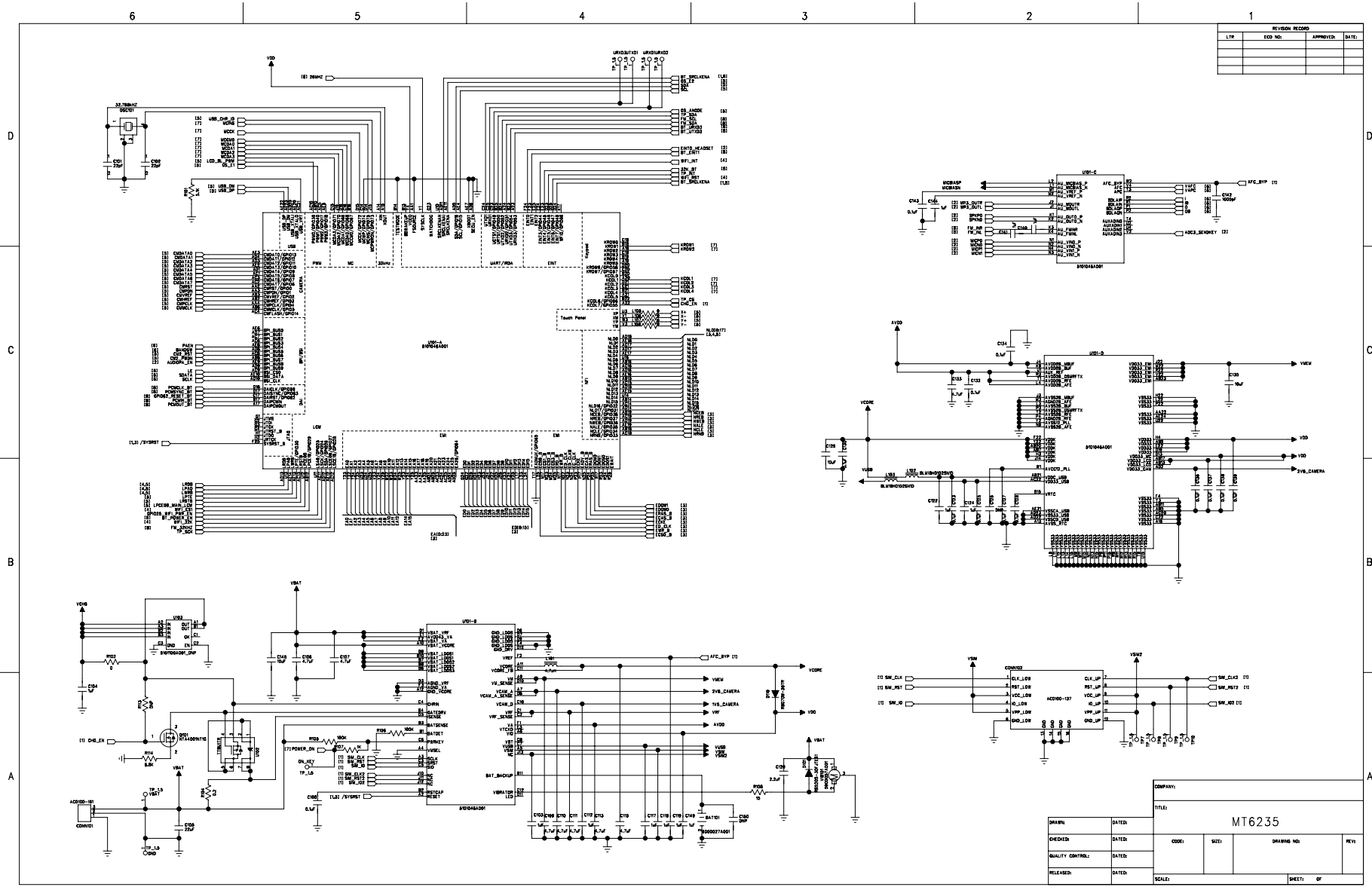


REVISION RECORD			
LT#	ECO NO.	APPROVED	DATE



DRAWN		DATED		COMPANY:		TITLE:	
CHECKED		DATED		MT6235			
QUALITY CONTROL		DATED		CODE	SIZE	DRAWING NO.	REV
RELEASED		DATED		SCALE:			SHEET: OF

6

5

4

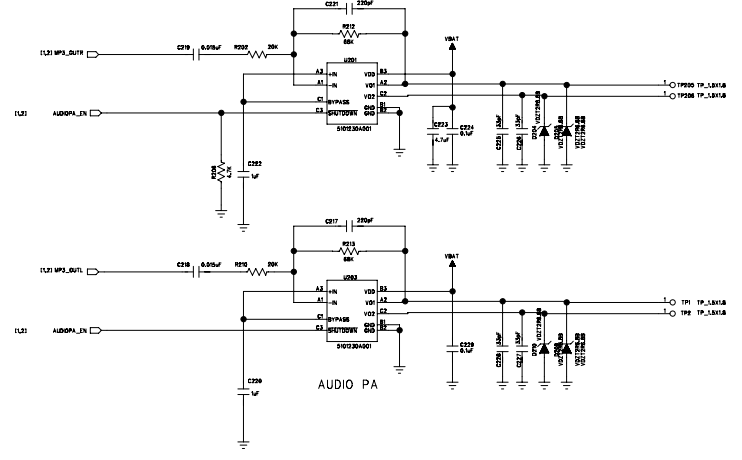
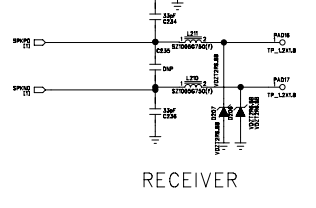
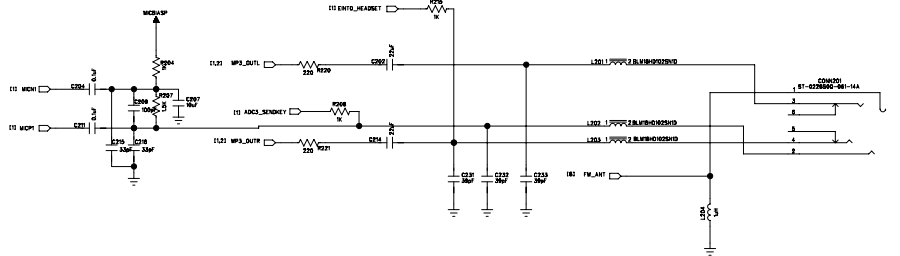
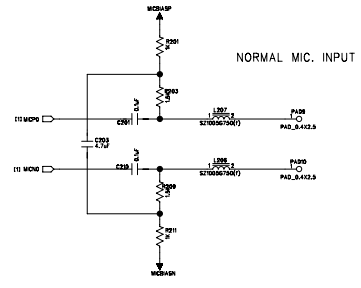
3

2

1

REVISION RECORD			
LT#	ECO NO.	APPROVED	DATE

HEADSET / DIGITAL AUDIO



COMPANY:			
TITLE: AUDIO			
DRAWN:	DATED:	CODE:	SIZE:
CHECKED:	DATED:	DRAWING NO.:	REV:
QUALITY CONTROL:	DATED:	SCALE:	SHEET: OF
RELEASED:	DATED:		

D

C

B

A

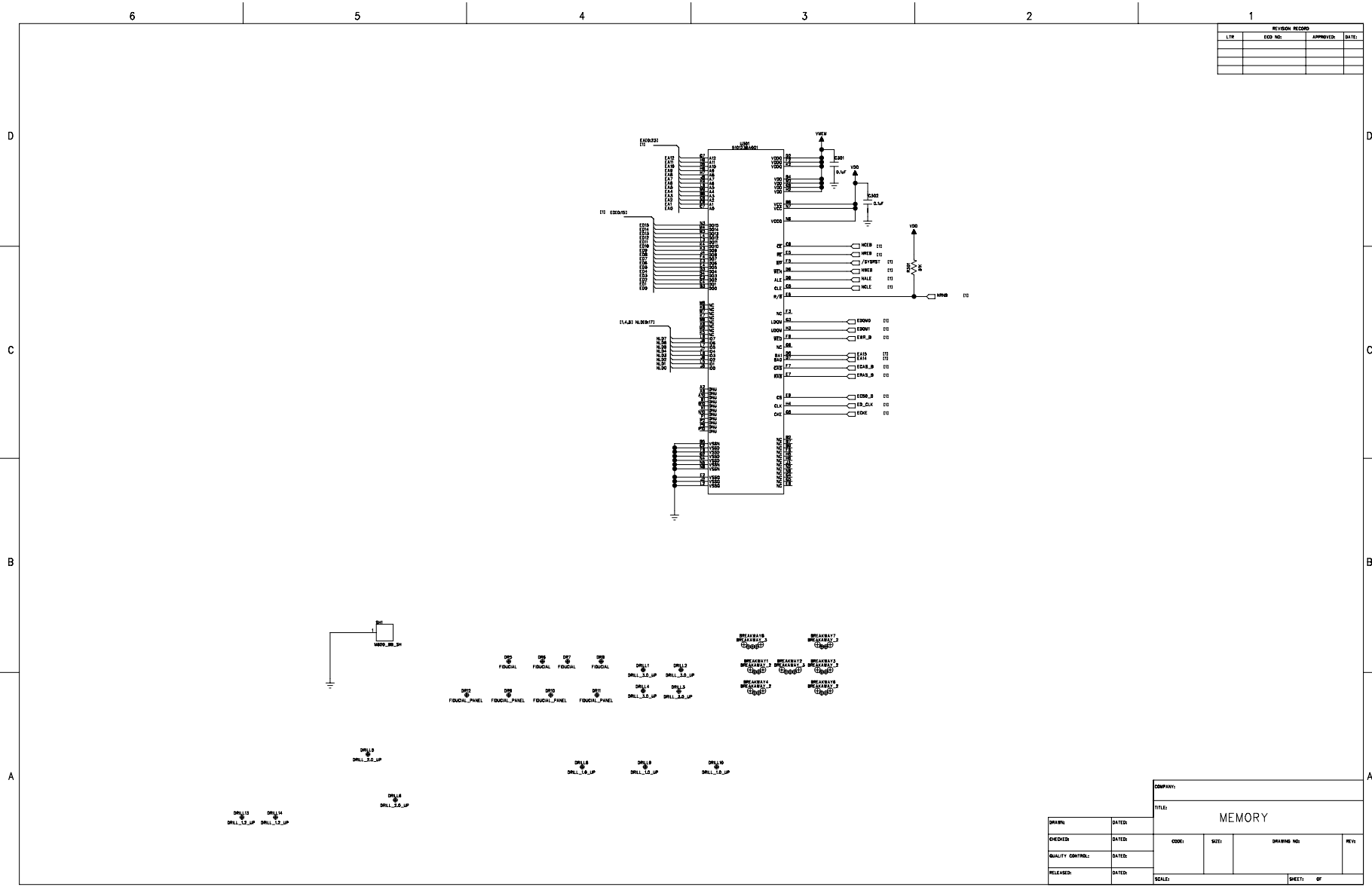
D

C

B

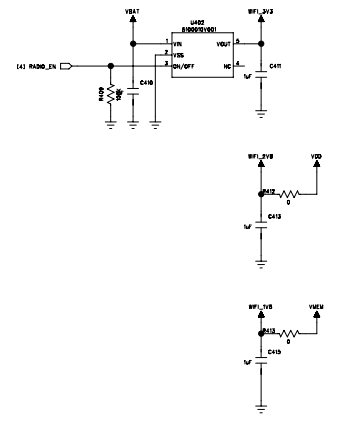
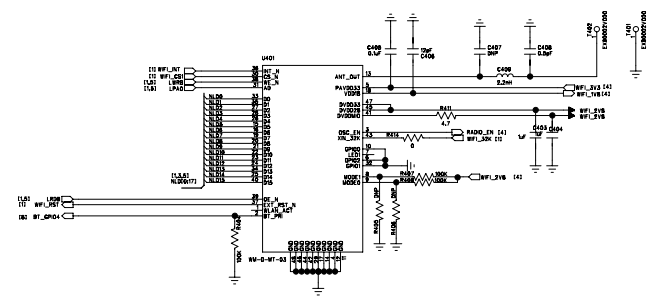
A

REVISION RECORD			
LT#	ECO NO.	APPROVED	DATE

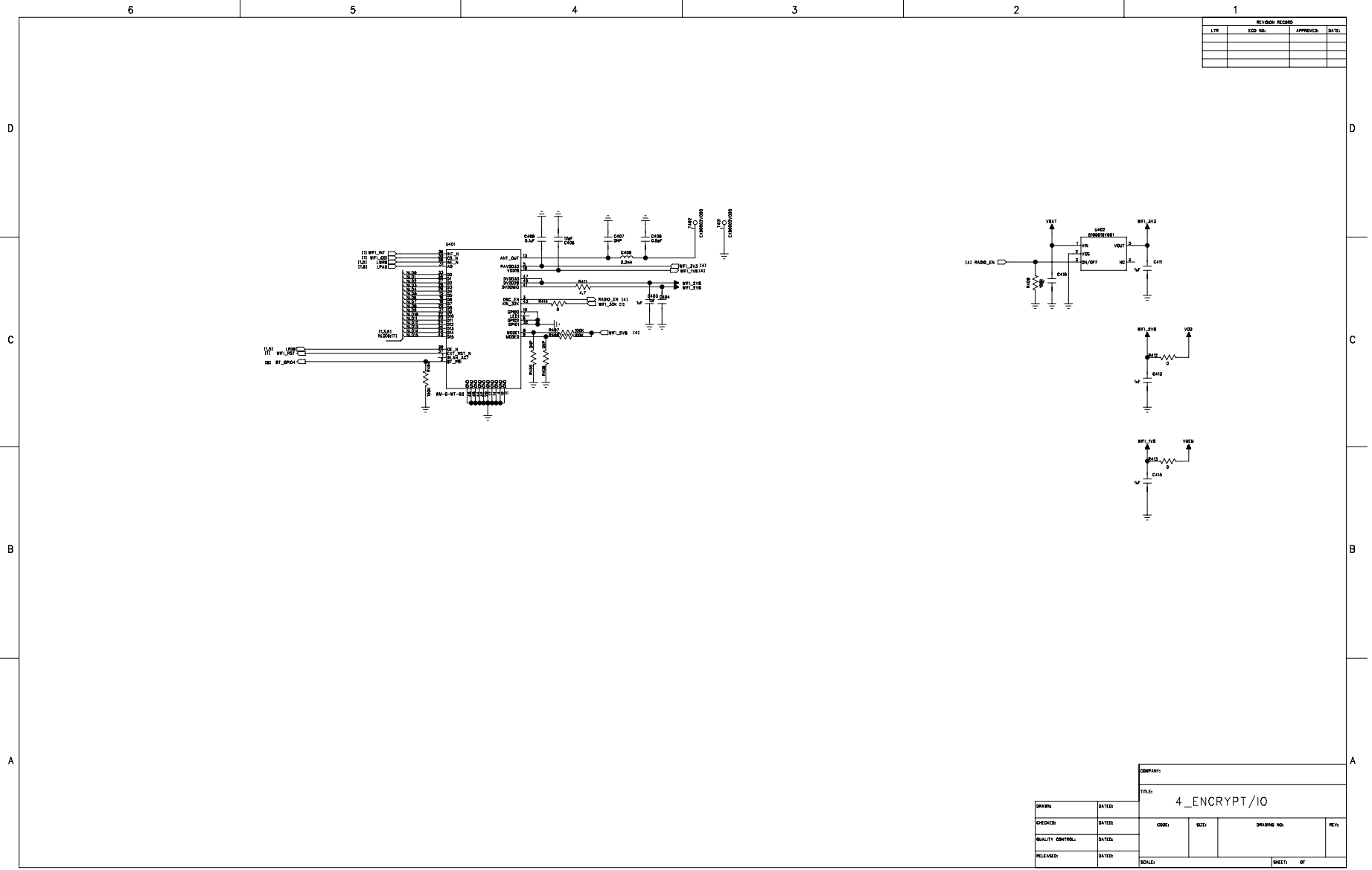


DRAWN		DATED		COMPANY:	
CHECKED		DATED		TITLE:	
QUALITY CONTROL		DATED		MEMORY	
RELEASED		DATED		CODE	SIZE
				DRAWING NO.	
				REV	
				SCALE:	SHEET: OF

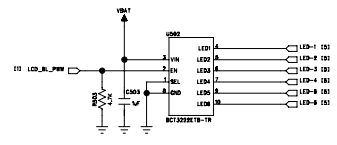
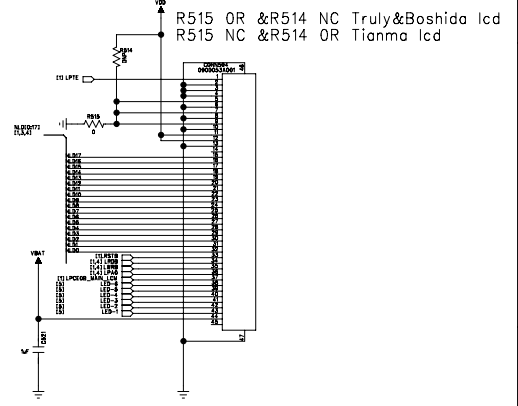
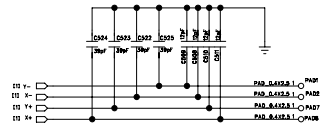
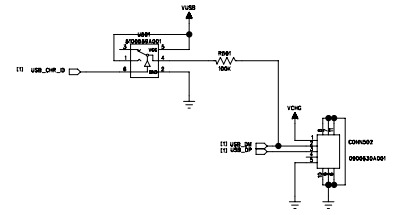
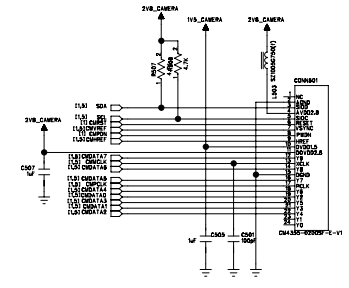
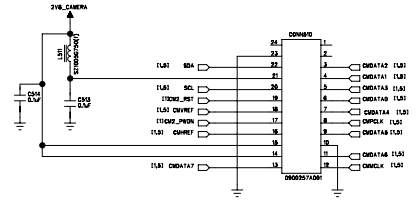
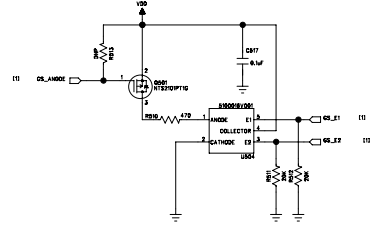
REVISION RECORD			
LT#	ECO NO.	APPROVED	DATE



COMPANY:			
TITLE: 4_ENCRYPT/10			
DRAWN:	DATED:	CODE:	SIZE:
CHECKED:	DATED:	DRAWING NO.:	REV:
QUALITY CONTROL:	DATED:	SCALE:	
RELEASED:	DATED:	SHEET: OF	



REVISION RECORD			
LT#	ECO NO.	APPROVED	DATE



DRAWN		DATED		COMPANY:	
CHECKED		DATED		TITLE:	
QUALITY CONTROL		DATED		LCM_SENSOR	
RELEASED		DATED		CODE	SIZE
				DRAWING NO.	REV
				SCALE:	SHEET: OF

6

5

4

3

2

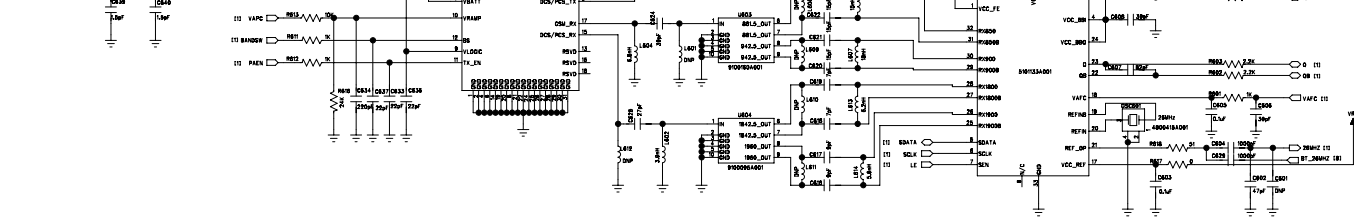
1

REVISION RECORD			
LTR	ECO NO.	APPROVED	DATE

Ant. GSM850/1900

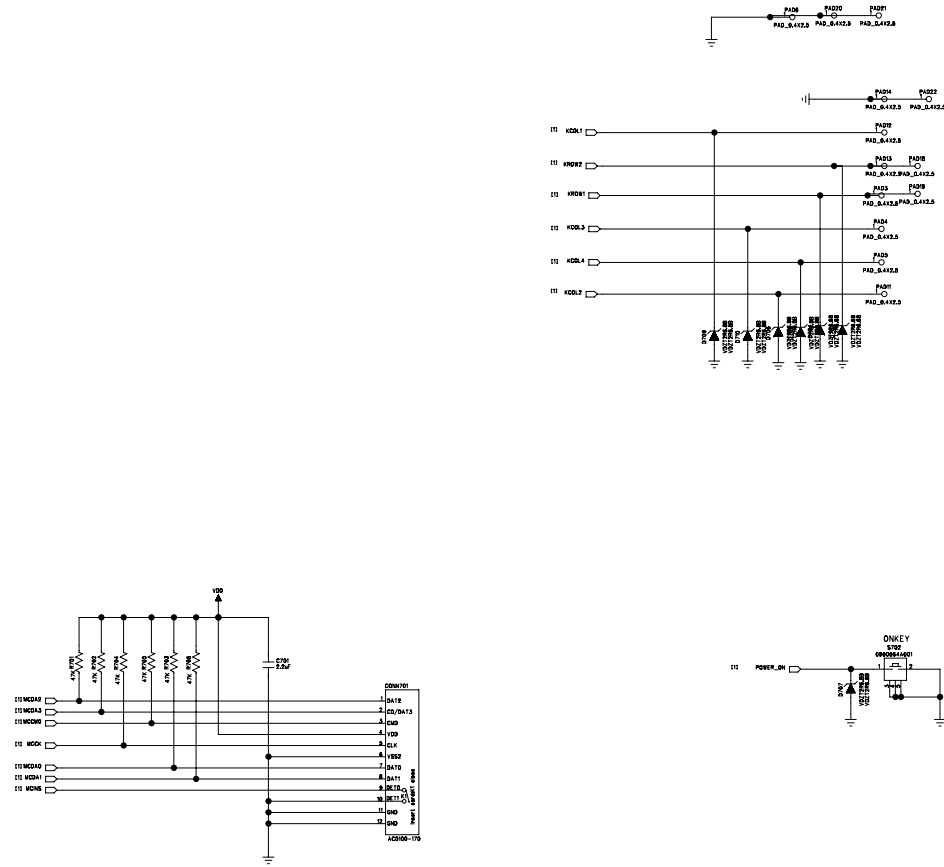


8.71-9.561-100



COMPANY:			
TITLE:			
AD6548			
DRAWN:	DATED:	CODE:	SIZE:
CHECKED:	DATED:	DRAWING NO.:	REV.:
QUALITY CONTROL:	DATED:	SCALE:	SHEET: OF
RELEASED:	DATED:		

REVISION RECORD			
LT#	ECO NO.	APPROVED	DATE



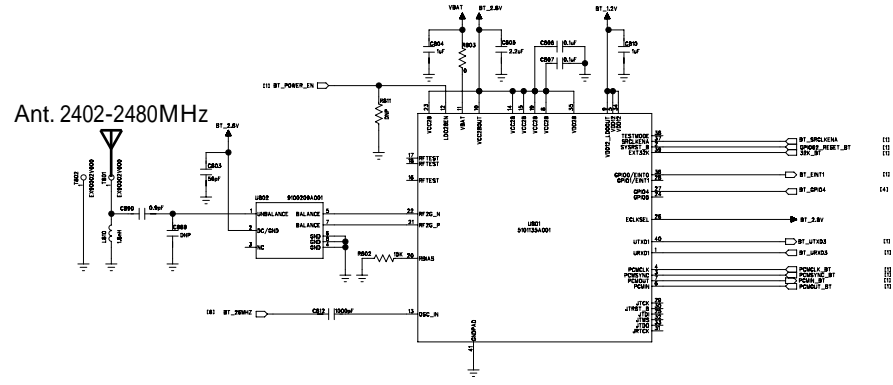
COMPANY:			
TITLE: KEYPAD			
DRAWN:	DATED:	CODE:	SIZE:
CHECKED:	DATED:	DRAWING NO:	REV:
QUALITY CONTROL:	DATED:	SCALE:	
RELEASED:	DATED:	SHEET: OF	

6 5 4 3 2 1

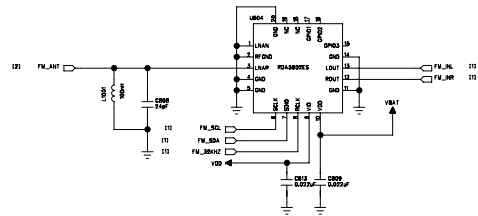
D  
C  
B  
A

6 5 4 3 2 1

REVISION RECORD			
LTR	ECO NO.	APPROVED	DATE



- U11
- U12
- U13
- U14
- U15
- U16
- U17
- U18
- U19
- U20
- U21
- U22
- U23
- U24
- U25
- U26
- U27
- U28
- U29
- U30
- U31
- U32
- U33
- U34
- U35
- U36
- U37
- U38
- U39
- U40
- U41
- U42
- U43
- U44
- U45
- U46
- U47
- U48
- U49
- U50
- U51
- U52
- U53
- U54
- U55
- U56
- U57
- U58
- U59
- U60
- U61
- U62
- U63
- U64
- U65
- U66
- U67
- U68
- U69
- U70
- U71
- U72
- U73
- U74
- U75
- U76
- U77
- U78
- U79
- U80
- U81
- U82
- U83
- U84
- U85
- U86
- U87
- U88
- U89
- U90
- U91
- U92
- U93
- U94
- U95
- U96
- U97
- U98
- U99
- U100



COMPANY:					
TITLE: <b>BT_FM</b>					
DRAWN:	DATED:	CODE:	SIZE:	DRAWING NO.:	REV:
CHECKED:	DATED:				
QUALITY CONTROL:	DATED:				
RELEASED:	DATED:				
SCALE:	SHEET: 01				

D  
C  
B  
A