

SCHEMATIC

MODEL: I1.3.3

TITLE: I1.3.3_MB

VERSION: 110601

DRAWING NO.: 500001504281

SHEET 1 OF 10

DRAWN: WANGHUI

CHECKED:

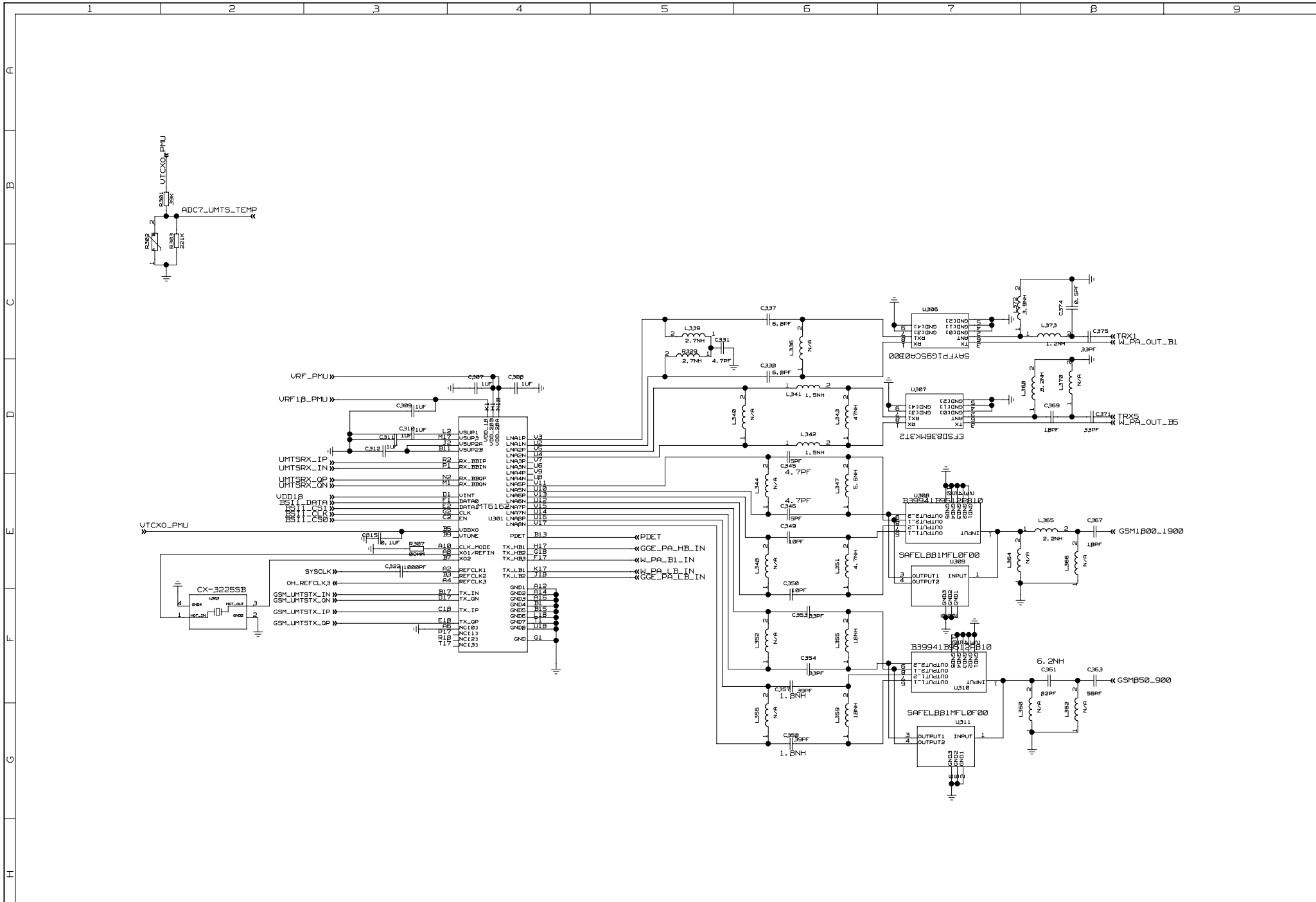
NORMALIZED:

APPROVED:

YAWEI CORPORATION

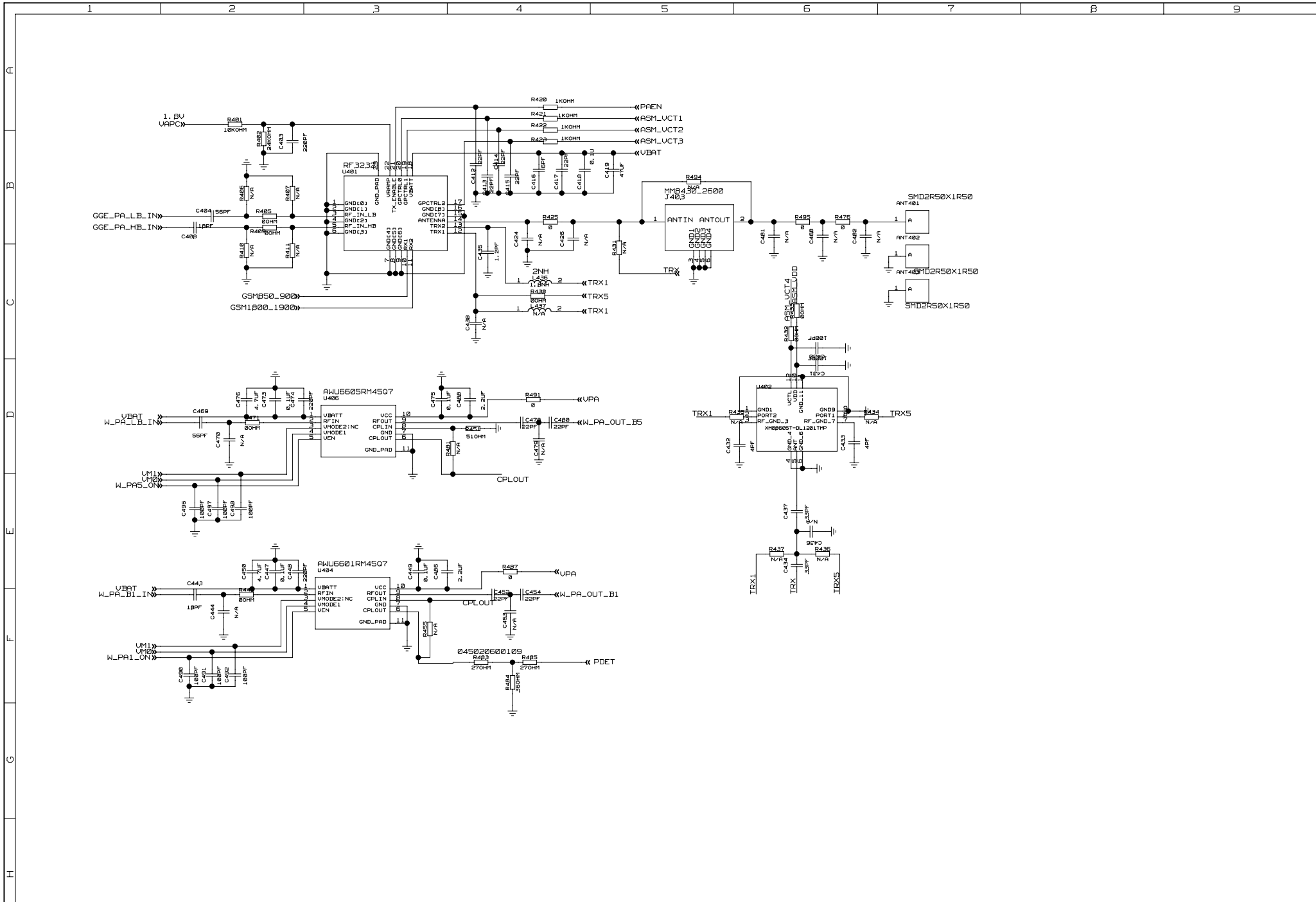
THIS DOCUMENT CONTAINS INFORMATION PROPRIETARY TO YAWEI CORPORATION , USE OR DISCLOSURE WITHOUT THE WRITTEN PERMISSION OF AN OFFICER OF YAWEI IS EXPRESSLY FORBIDDEN.

THIS DOCUMENT CONTAINS INFORMATION PROPRIETARY TO ZTE CORPORATION (ZTE). USE OR DISCLOSURE WITHOUT THE WRITTEN PERMISSION OF AN OFFICER OF ZTE IS EXPRESSLY FORBIDDEN.



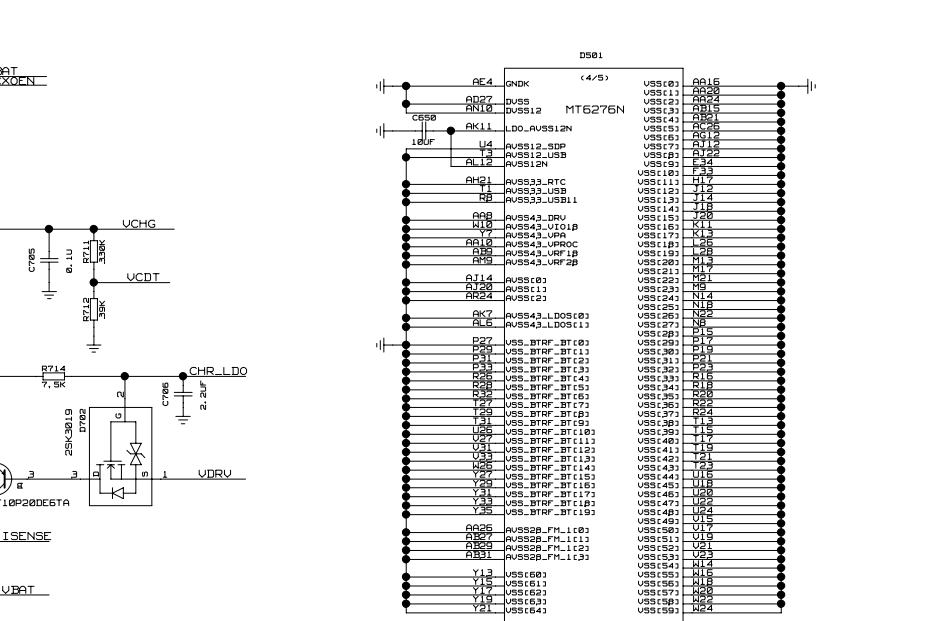
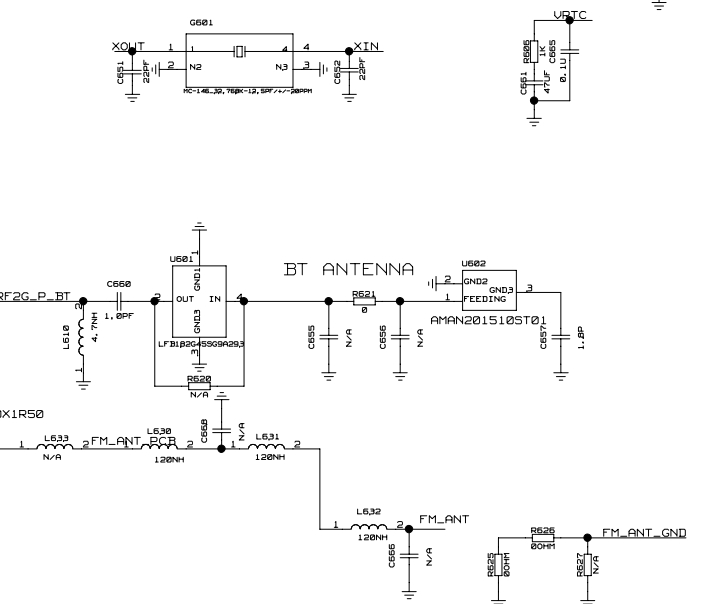
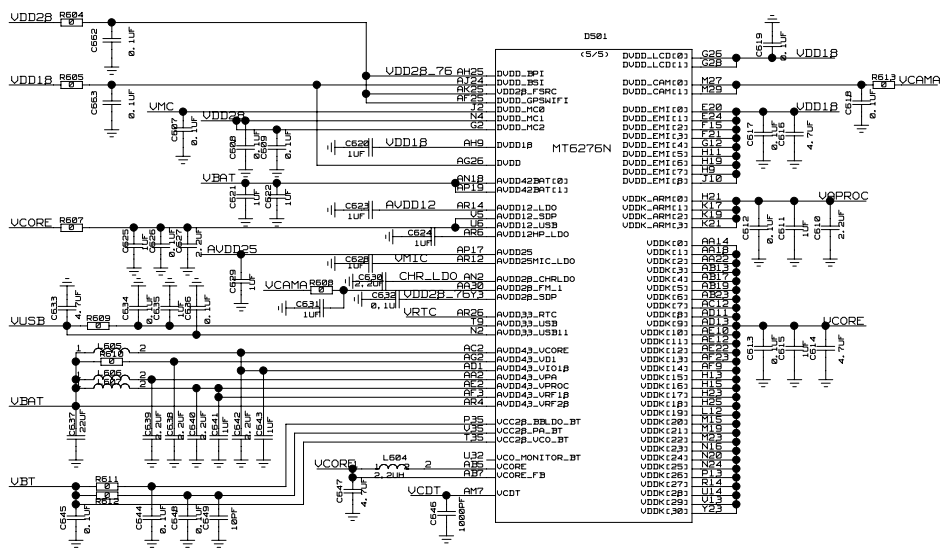
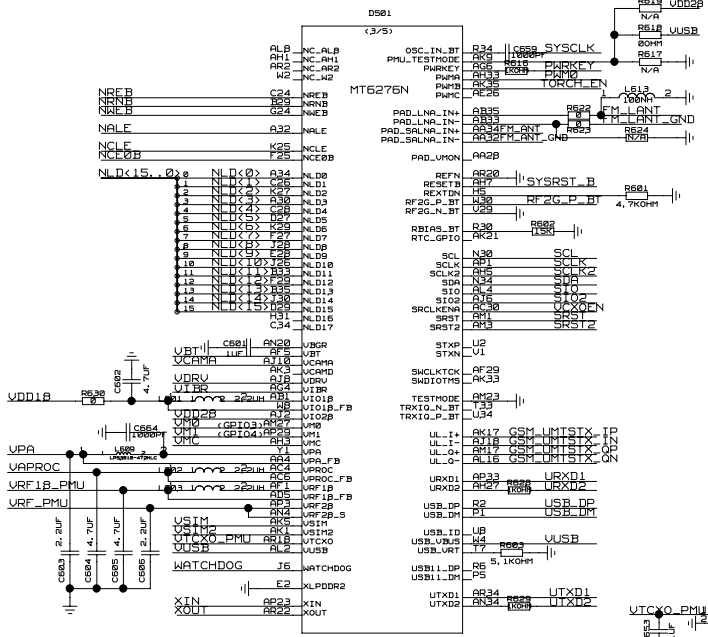
Yawei Corporation		MODEL: I133	SHEET 3 OF 11
DRAWN	WANGHUI	TITLE: RF	VERSION:
CHECKED		DRAWING NO.:	110401

THIS DOCUMENT CONTAINS INFORMATION PROPRIETARY TO ZTE CORPORATION (ZTE). USE OR DISCLOSURE WITHOUT THE WRITTEN PERMISSION OF AN OFFICER OF ZTE IS EXPRESSLY FORBIDDEN.

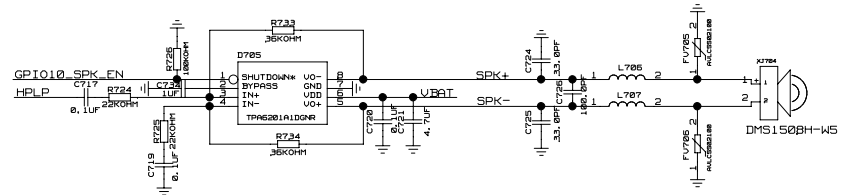
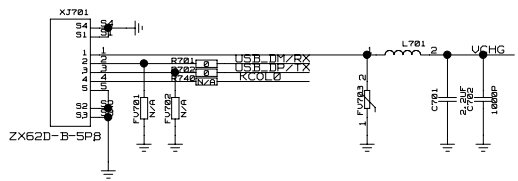


THIS DOCUMENT CONTAINS INFORMATION PROPRIETARY TO ZTE CORPORATION (ZTE). USE OR DISCLOSURE WITHOUT THE WRITTEN PERMISSION OF AN OFFICER OF ZTE IS EXPRESSLY FORBIDDEN.

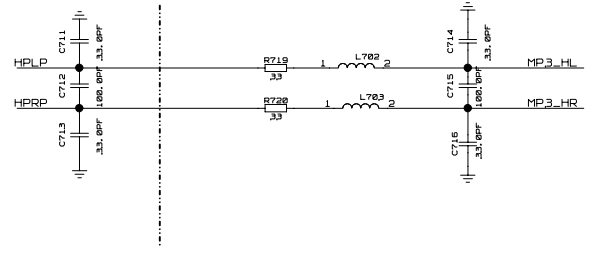
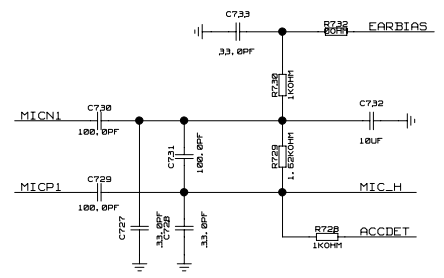
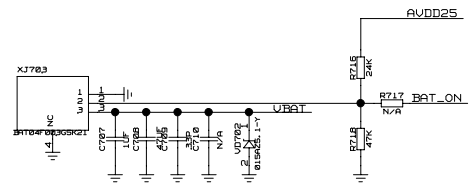
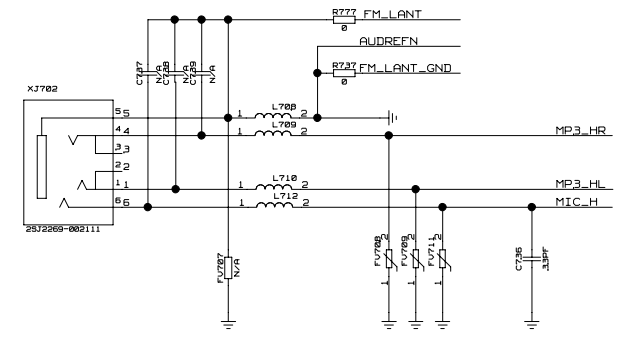
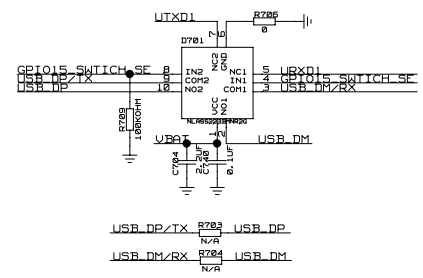
FM ANTENNA



YAWEI CORPORATION		MODEL:	SHEET OF	
DRAWN	CHECKED	TITLE:	VERSION:	
		DRAWING NO.:		



AUDIO PA

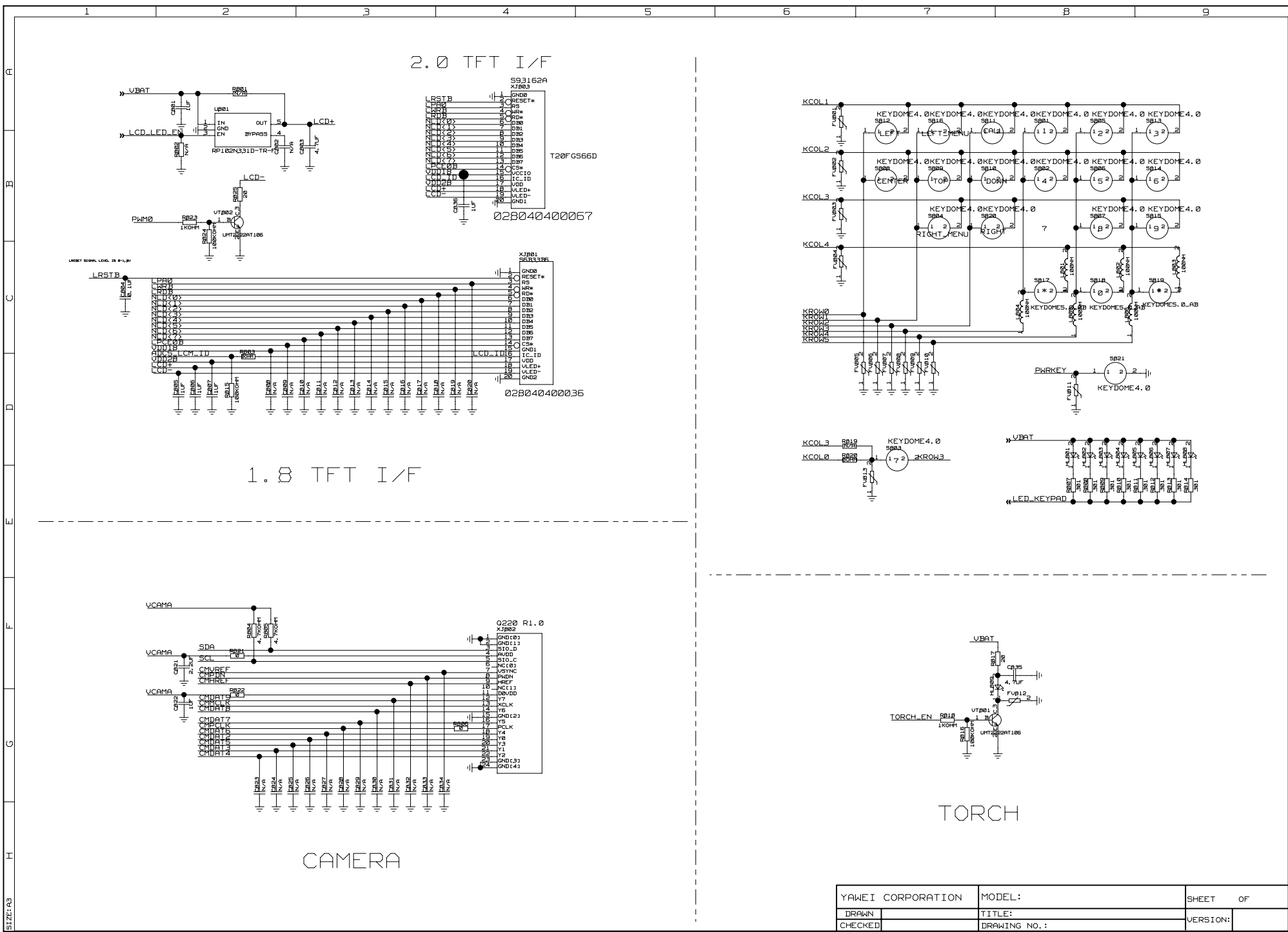


Yawei Corporation		MODEL:	SHEET OF
DRAWN		TITLE:	
CHECKED		DRAWING NO.:	VERSION:

THIS DOCUMENT CONTAINS INFORMATION PROPRIETARY TO ZTE CORPORATION (ZTE), USE OR DISCLOSURE WITHOUT THE WRITTEN PERMISSION OF AN OFFICER OF ZTE IS EXPRESSLY FORBIDDEN.

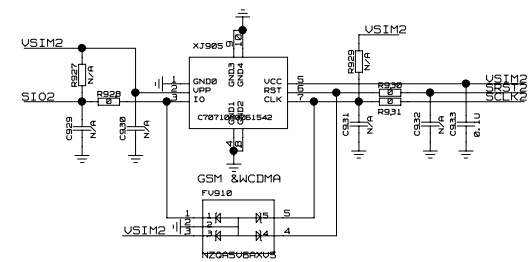
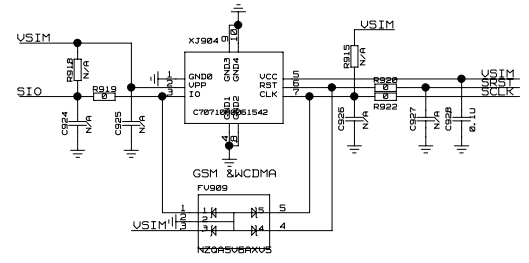
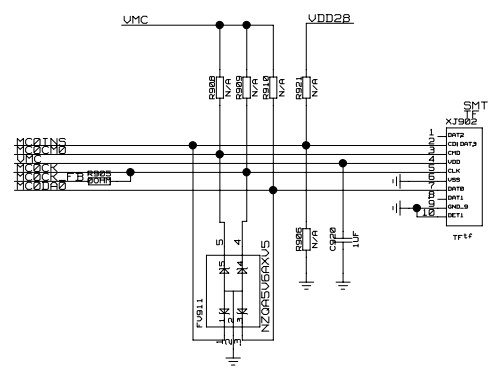
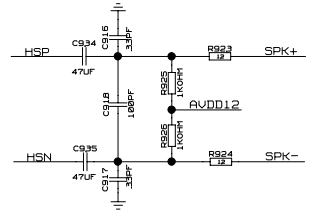
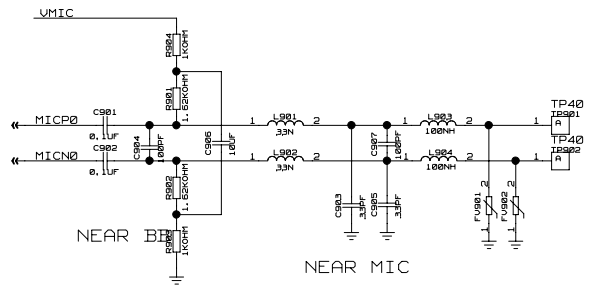
A B C D E F G H SIZE: A3

THIS DOCUMENT CONTAINS INFORMATION PROPRIETARY TO ZTE CORPORATION (ZTE). USE OR DISCLOSURE WITHOUT THE WRITTEN PERMISSION OF AN OFFICER OF ZTE IS EXPRESSLY FORBIDDEN.

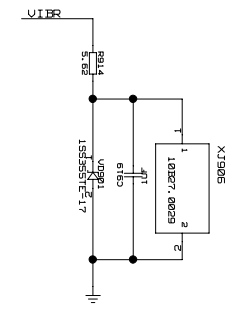


YAWEI CORPORATION	MODEL:	SHEET	OF
DRAWN	TITLE:	VERSION:	
CHECKED	DRAWING NO.:		

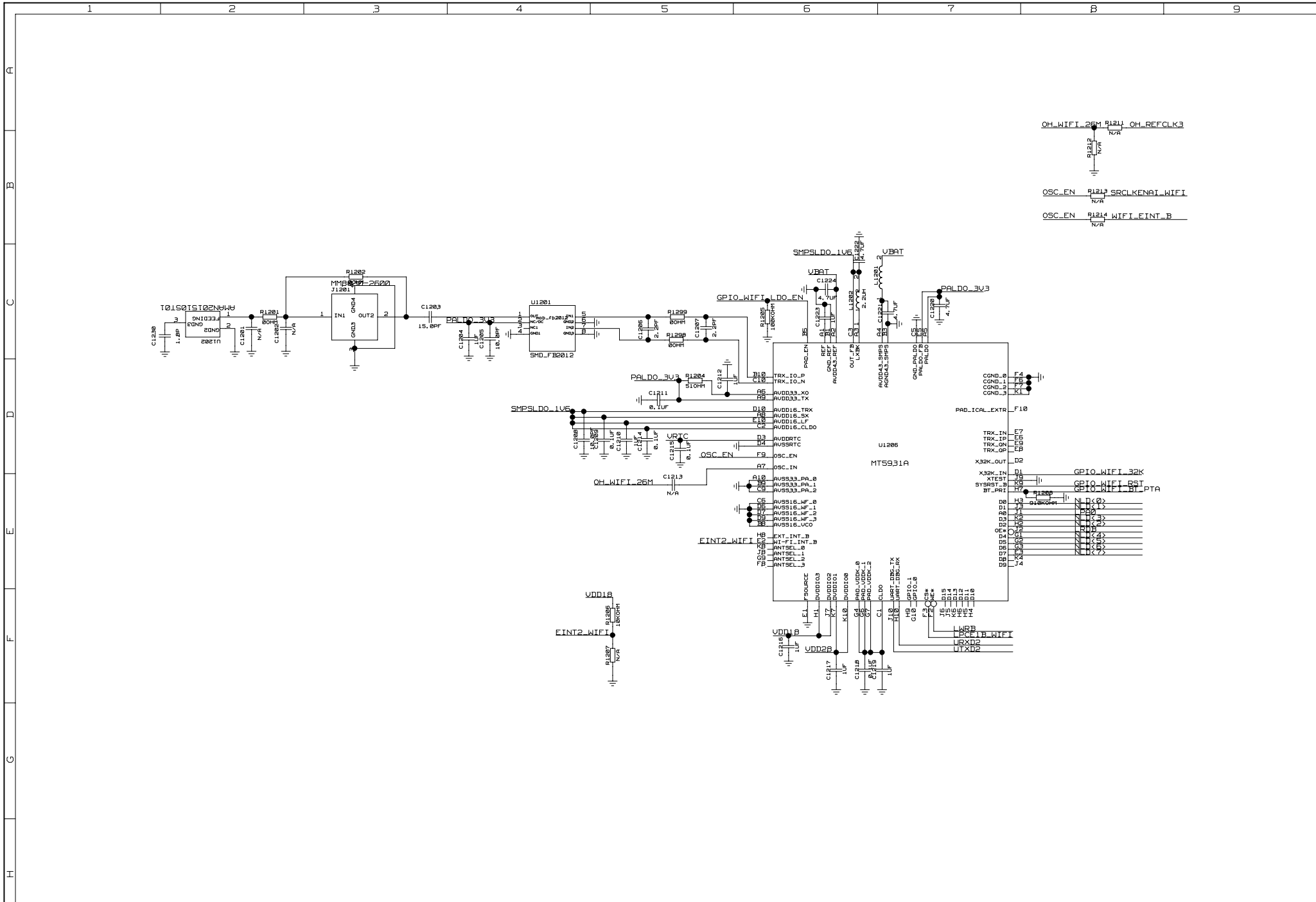
THIS DOCUMENT CONTAINS INFORMATION PROPRIETARY TO ZTE CORPORATION (ZTE). USE OR DISCLOSURE WITHOUT THE WRITTEN PERMISSION OF AN OFFICER OF ZTE IS EXPRESSLY FORBIDDEN.



- VSIM1 1 TP903
- SIO1 1 TP904
- SCLK 1 TP905
- SIO 1 TP906
- VSIM2 1 TP907
- SRST2 1 TP908
- SCLK2 1 TP909
- SIO2 1 TP910
- TP40



Yawei Corporation		MODEL:	SHEET OF
DRAWN		TITLE:	
CHECKED		DRAWING NO.:	VERSION:



OH_WIFI_26M PA1214 OH_REFCLK3
N/A

OSC_EN PA1213 SRCLKENAI_WIFI
N/A

OSC_EN PA1214 WIFI_FINT_B
N/A

YAWEI CORPORATION		MODEL:	SHEET OF
DRAWN		TITLE:	VERSION:
CHECKED		DRAWING NO.:	

SIZE: A3

THIS DOCUMENT CONTAINS INFORMATION PROPRIETARY TO ZTE CORPORATION (ZTE). USE OR DISCLOSURE WITHOUT THE WRITTEN PERMISSION OF AN OFFICER OF ZTE IS EXPRESSLY FORBIDDEN.