

# RADIO TEST REPORT

## FCC ID: WA5WL69BN

**Product :** Weather Station (Transmitter)

**Trade Mark :** N/A

**Model Name :** WL69BN

**Family Model :** WL69BS

**Report No. :** S22091501901001

### Prepared for

Shenzhen Fine Offset Electronics Co., Ltd.  
A, 4/F, Bldg.C, Dist.A, Minzhu Jiujiu Ind. City, Xihuan Rd., Shajing St.,  
Baoan Dist. Shenzhen, Guangdong, China

### Prepared by

Shenzhen NTEK Testing Technology Co., Ltd.  
1/F, Building E, Fenda Science Park, Sanwei Community,  
Xixiang Street Bao'an District, Shenzhen 518126 P.R. China  
Tel. 400-800-6106, 0755-2320 0050, 0755-2320 0090  
Website: <http://www.ntek.org.cn>

### TEST RESULT CERTIFICATION

**Applicant's name** ..... : Shenzhen Fine Offset Electronics Co., Ltd.  
**Address** ..... : A, 4/F, Bldg.C, Dist.A, Minzhu Jiujiu Ind. City, Xihuan Rd., Shajing St., Baoan Dist. Shenzhen, Guangdong, China

**Manufacturer's Name** ..... : Shenzhen Fine Offset Electronics Co., Ltd.  
**Address** ..... : A, 4/F, Bldg.C, Dist.A, Minzhu Jiujiu Ind. City, Xihuan Rd., Shajing St., Baoan Dist. Shenzhen, Guangdong, China

**Product description**

**Product name**..... : Weather Station (Transmitter)

**Model and/or type reference** : WL69BN

**Family Model** ..... WL69BS

**Rating(s)**..... : DC 3V from battery

**Standards** ..... : FCC Part15.249

**Test procedure**..... ANSI C63.10-2013

This device described above has been tested by NTEK, and the test results show that the equipment under test (EUT) is in compliance with the FCC requirements. And it is applicable only to the tested sample identified in the report.

This report shall not be reproduced except in full, without the written approval of NTEK, this document may be altered or revised by NTEK, personnel only, and shall be noted in the revision of the document.

**Test Sample Number**..... : S220915019001

**Date of Test**..... :

**Date (s) of performance of tests**..... : 15 Sep. 2022 ~ 24 Sep. 2022

**Date of Issue**..... : 24 Sep. 2022

**Test Result**..... : **Pass**

Testing Engineer : Susan Li  
(Susan Li)

Authorized Signatory : Alex Li  
(Alex Li)

<b>Table of Contents</b>	<b>Page</b>
<b>1 . SUMMARY OF TEST RESULTS</b>	<b>4</b>
1.1 TEST FACILITY	5
1.2 MEASUREMENT UNCERTAINTY	5
<b>2 . GENERAL INFORMATION</b>	<b>6</b>
2.1 GENERAL DESCRIPTION OF EUT	6
2.2 DESCRIPTION OF TEST MODES	8
2.3 BLOCK DIGRAM SHOWING THE CONFIGURATION OF SYSTEM TESTED	9
2.4 DESCRIPTION OF SUPPORT UNITS (CONDUCTED MODE)	10
2.5 EQUIPMENTS LIST FOR ALL TEST ITEMS	11
<b>3 . ANTENNA REQUIREMENT</b>	<b>13</b>
3.1 STANDARD REQUIREMENT	13
3.2 EUT ANTENNA	13
3.3 CONDUCTED EMISSION MEASUREMENT	14
3.3.1 POWER LINE CONDUCTED EMISSION LIMITS	14
3.3.2 TEST PROCEDURE	15
3.3.3 DEVIATION FROM TEST STANDARD	15
3.3.4 TEST SETUP	15
3.2.5 TEST RESULT	16
3.3.6 RADIATED EMISSION LIMITS	17
3.3.7 TEST PROCEDURE	18
3.3.8 DEVIATION FROM TEST STANDARD	18
3.3.9 TEST RESULTS (BELOW 30MHZ)	20
3.3.10 TEST RESULTS (BELOW 1000 MHZ)	21
3.3.11 TEST RESULTS (ABOVE 1000 MHZ)	23
3.3.12 TEST RESULTS (RESTRICTED BANDS REQUIREMENTS)	25
<b>4. BANDWIDTH TEST</b>	<b>27</b>
4.1 TEST PROCEDURE	27
4.2 DEVIATION FROM STANDARD	27
4.3 TEST SETUP	27
<b>6. TEST RESULTS</b>	<b>28</b>

**1. SUMMARY OF TEST RESULTS**

Test procedures according to the technical standards:

<b>FCC Part15, Subpart C (15.249)</b>			
Standard Section	Test Item	Judgment	Remark
15.207	Conducted Emission	N/A	
15.203	Antenna Requirement	Pass	
15.249 15.209	Radiated Spurious Emission	Pass	
15.249(2)	Frequency Tolerance	N/A	
15.249(a)	Fundamental Measurement	Pass	
15.205	Band Edge Emission	Pass	
15.215	Occupied Bandwidth	Pass	

**1.1 TEST FACILITY**

Shenzhen NTEK Testing Technology Co., Ltd  
 Add. : 1/F, Building E, Fenda Science Park, Sanwei Community, Xixiang Street, Bao'an District, Shenzhen 518126 P.R. China.  
 FCC FRN Registration No.:463705; FCC FRN Designation Number: CN1184  
 IC Registration No.:9270A-1  
 CNAS Registration No.:L5516

**1.2 MEASUREMENT UNCERTAINTY**

The reported uncertainty of measurement  $y \pm U$  , where expended uncertainty  $U$  is based on a standard uncertainty multiplied by a coverage factor of  $k=2$  , providing a level of confidence of approximately **95 %**.

No.	Item	Uncertainty
1	Conducted Emission Test	$\pm 1.38\text{dB}$
2	RF power,conducted	$\pm 0.16\text{dB}$
3	Spurious emissions,conducted	$\pm 0.21\text{dB}$
4	All emissions,radiated(<1G)	$\pm 4.68\text{dB}$
5	All emissions,radiated(>1G)	$\pm 4.89\text{dB}$
6	Temperature	$\pm 0.5^\circ\text{C}$
7	Humidity	$\pm 2\%$

## 2. GENERAL INFORMATION

### 2.1 GENERAL DESCRIPTION OF EUT

Equipment	Weather Station (Transmitter)	
Trade Mark	N/A	
Model Name	WL69BN	
Family Model	WL69BS	
Model Difference	All models are the same circuit and RF module, except the packing.	
Product Description	The EUT is a Weather Station (Transmitter)	
	Operation Frequency:	915MHz
	Modulation Type:	FSK
	Antenna Designation:	Spring antenna
	Antenna Gain(Peak)	-2.1dBi
	Based on the application, features, or specification exhibited in User's Manual. More details of EUT technical specification, please refer to the User's Manual.	
Channel List	Please refer to the Note 2.	
Adapter	N/A	
Battery	DC1.5V*2 AA Battery	
Hardware version	N/A	
Firmware version	N/A	
Software version	N/A	

Note:

1. For a more detailed features description, please refer to the manufacturer's specifications or the User's Manual.

2.

Channel	Frequency(MHz)
01	915

3.

Table for Filed Antenna

Ant.	Brand	Model Name	Antenna Type	Connector	Gain (dBi)	NOTE
1	N/A	N/A	Spring antenna	N/A	-2.1	Antenna

Note:The device does not support simultaneous transmission

**2.2 DESCRIPTION OF TEST MODES**

To investigate the maximum EMI emission characteristics generates from EUT, the test system was pre-scanning tested base on the consideration of following EUT operation mode or test configuration mode which possible have effect on EMI emission level. Each of these EUT operation mode(s) or test configuration mode(s) mentioned above was evaluated respectively.

Pretest Mode	Description
Mode 1	CH01
Mode 2	Normal link

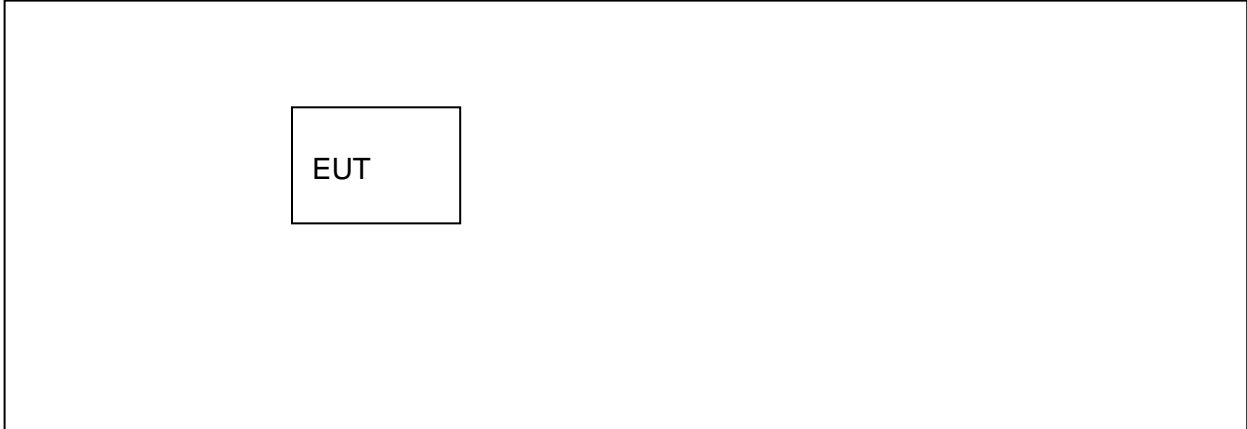
<b>For Radiated Spurious Emission</b>	
Pretest Mode	Description
Mode 1	CH01

<b>For Conducted Emission</b>	
Final Test Mode	Description
Mode 1	CH01
Mode 2	Normal link



### 2.3 BLOCK DIGRAM SHOWING THE CONFIGURATION OF SYSTEM TESTED

Radiated Spurious Emission Test



**2.4 DESCRIPTION OF SUPPORT UNITS (CONDUCTED MODE)**

The EUT has been tested as an independent unit together with other necessary accessories or support units. The following support units or accessories were used to form a representative test configuration during the tests.

Item	Equipment	Mfr/Brand	Model/Type No.	Series No.	Note

Item	Cable Type	Shielded Type	Ferrite Core	Length	Note

Note:

- (1) The support equipment was authorized by Declaration of Confirmation.
- (2) For detachable type I/O cable should be specified the length in cm in 『Length』 column.

## 2.5 EQUIPMENTS LIST FOR ALL TEST ITEMS

### Radiation Test equipment

	Kind of Equipment	Manufacturer	Type No.	Serial No.	Last calibration	Calibrated until	Calibration period
1	Spectrum Analyzer	Agilent	E4407B	MY45108040	2022.04.01	2023.03.31	1 year
2	Spectrum Analyzer	Agilent	N9020A	MY49100060	2022.06.16	2023.06.15	1 year
3	Spectrum Analyzer	R&S	FSV40	101417	2022.04.01	2023.03.31	1 year
4	Test Receiver	R&S	ESPI7	101318	2022.04.06	2023.04.05	1 year
5	Bilog Antenna	TESEQ	CBL6111D	31216	2022.03.30	2023.03.29	1 year
6	50Ω Coaxial Switch	Anritsu	MP59B	6200983705	2020.05.11	2023.05.10	3 year
7	Horn Antenna	EM	EM-AH-10180	2011071402	2022.03.31	2023.03.30	1 year
8	Broadband Horn Antenna	SCHWARZBECK	BBHA 9170	803	2021.11.07	2022.11.06	1 year
9	Amplifier	EMC	EMC051835SE	980246	2022.06.17	2023.06.16	1 year
10	Active Loop Antenna	SCHWARZBECK	FMZB 1519B	055	2021.11.07	2022.11.06	1 year
11	Power Meter	DARE	RPR3006W	15100041SN084	2022.06.16	2023.06.15	1 year
12	Test Cable (9KHz-30MHz)	N/A	R-01	N/A	2022.06.17	2025.06.16	3 year
13	Test Cable (30MHz-1GHz)	N/A	R-02	N/A	2022.06.17	2025.06.16	3 year
14	High Test Cable(1G-40G Hz)	N/A	R-03	N/A	2022.06.17	2025.06.16	3 year
15	High Test Cable(1G-40G Hz)	N/A	R-04	N/A	2022.06.17	2025.06.16	3 year
16	Filter	TRILTHIC	2400MHz	29	2020.04.07	2023.04.06	3 year
17	temporary antenna connector (Note)	NTS	R001	N/A	N/A	N/A	N/A

**Note:**

We will use the temporary antenna connector (soldered on the PCB board) When conducted test  
And this temporary antenna connector is listed within the instrument list

**Conduction Test equipment**

Item	Kind of Equipment	Manufacturer	Type No.	Serial No.	Last calibration	Calibrated until	Calibration period
1	Test Receiver	R&S	ESCI	101160	2022.04.06	2023.04.05	1 year
2	LISN	R&S	ENV216	101313	2022.04.06	2023.04.05	1 year
3	LISN	SCHWARZBECK	NNLK 8129	8129245	2022.04.06	2023.04.05	1 year
4	50Ω Coaxial Switch	ANRITSU CORP	MP59B	6200983704	2020.05.11	2023.05.10	3 year
5	Test Cable (9KHz-30MHz)	N/A	C01	N/A	2020.05.11	2023.05.10	3 year
6	Test Cable (9KHz-30MHz)	N/A	C02	N/A	2020.05.11	2023.05.10	3 year
7	Test Cable (9KHz-30MHz)	N/A	C03	N/A	2020.05.11	2021.05.10	3 year

Note: Each piece of equipment is scheduled for calibration once a year except the Test Cable which is scheduled for calibration every 3 years.

### **3. ANTENNA REQUIREMENT**

#### **3.1 STANDARD REQUIREMENT**

15.203 requirement: For intentional device, according to 15.203: an intentional radiator shall be designed to ensure that no antenna other than that furnished by the responsible party shall be used with the device.

#### **3.2 EUT ANTENNA**

The EUT antenna is Spring Antenna (Gain: -2.1dBi). It comply with the standard requirement.

### 3.3 CONDUCTED EMISSION MEASUREMENT

#### 3.3.1 POWER LINE CONDUCTED EMISSION Limits (Frequency Range 150KHz-30MHz)

FREQUENCY (MHz)	Class A (dBuV)		Class B (dBuV)		Standard
	Quasi-peak	Average	Quasi-peak	Average	
0.15 -0.5			66 - 56 *	56 - 46 *	CISPR
0.50 -5.0			56.00	46.00	CISPR
5.0 -30.0			60.00	50.00	CISPR

0.15 -0.5			66 - 56 *	56 - 46 *	LP002.
0.50 -5.0			56.00	46.00	LP002.
5.0 -30.0			60.00	50.00	LP002.

Note:

- (1) The tighter limit applies at the band edges.
- (2) The limit of " \* " marked band means the limitation decreases linearly with the logarithm of the frequency in the range.

The following table is the setting of the receiver

Receiver Parameters	Setting
Attenuation	10 dB
Start Frequency	0.15 MHz
Stop Frequency	30 MHz
IF Bandwidth	9 kHz

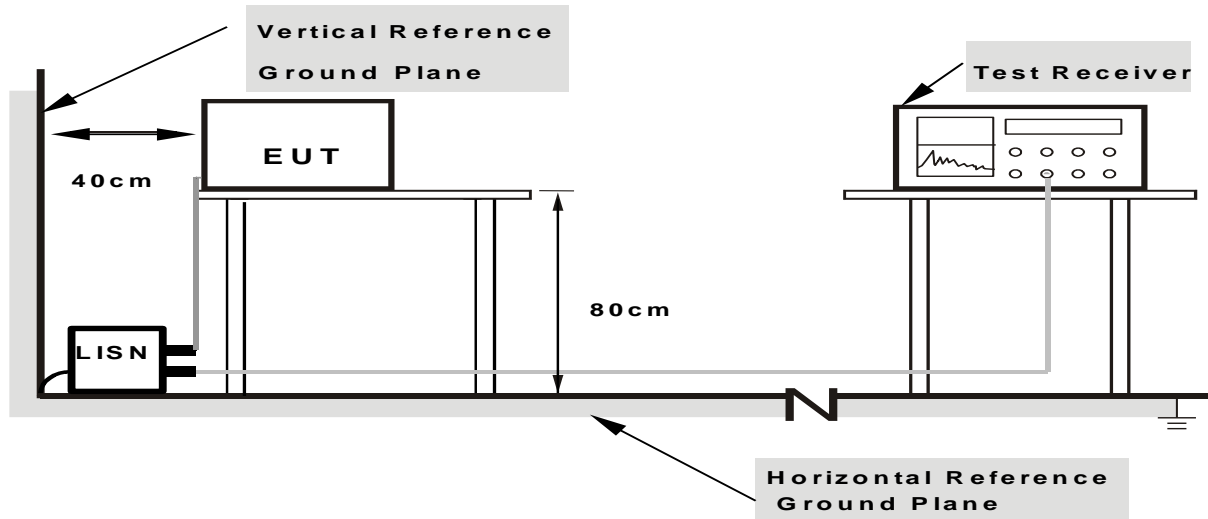
**3.3.2 TEST PROCEDURE**

- a. The EUT was placed 0.4 meters from the horizontal ground plane with EUT being connected to the power mains through a line impedance stabilization network (LISN). All other support equipments powered from additional LISN(s). The LISN provide 50 Ohm/ 50uH of coupling impedance for the measuring instrument.
- b. Interconnecting cables that hang closer than 40 cm to the ground plane shall be folded back and forth in the center forming a bundle 30 to 40 cm long.
- c. I/O cables that are not connected to a peripheral shall be bundled in the center. The end of the cable may be terminated, if required, using the correct terminating impedance. The overall length shall not exceed 1 m.
- d. LISN at least 80 cm from nearest part of EUT chassis.
- e. For the actual test configuration, please refer to the related Item –EUT Test Photos.

**3.3.3 DEVIATION FROM TEST STANDARD**

No deviation

**3.3.4 TEST SETUP**



- Note:**
- 1. Support units were connected to second LISN.
  - 2. Both of LISNs (AMN) are 80 cm from EUT and at least 80 from other units and other metal planes

**3.2.5 TEST RESULT**

EUT :	Weather Station (Transmitter)	Model Name. :	WL69BN
Temperature :	25 °C	Relative Humidity :	55%
Pressure :	1010hPa	Phase :	N/A
Test Voltage :	N/A	Test Mode :	N/A

Note: Not applicable



### 3.3.5 RADIATED EMISSION MEASUREMENT

#### 3.3.6 Radiated Emission Limits ( FCC 15.209 )

Frequencies (MHz)	Field Strength (micorvolts/meter)	Measurement Distance (meters)
0.009~0.490	2400/F(KHz)	300
0.490~1.705	24000/F(KHz)	30
1.705~30.0	30	30
Frequency (MHz)	Limit (dBuV)	
30~88	40	3
88~216	43.5	3
216~960	46	3
960 -10000	54.00	3
*902 - 928	94.00	3

Note:

- (1) The tighter limit applies at the band edges.
- (2) Emission level (dBuV/m)=20log Emission level (uV/m).
- (3) \*Note: This is the limit for the fundamental frequency.

#### LIMITS OF RADIATED EMISSION MEASUREMENT ( FCC 15.249)

Frequency of Emission (MHz)	Field Strength of fundamental ((millivolts /meter)	Field Strength of Harmonics (microvolts/meter)
902-928	50	500

Notes:

- (1) Emissions radiated outside of the specified frequency bands, except for harmonics, shall be attenuated by at least 50 dB below the level of the fundamental or to the general radiated emission limits in Section 15.209, whichever is the lesser attenuation.

Spectrum Parameter	Setting
Attenuation	Auto
Start Frequency	1000 MHz
Stop Frequency	10th carrier harmonic
RB / VB (emission in restricted band)	1MHz / 1MHz for Peak

Receiver Parameter	Setting
Attenuation	Auto
Start ~ Stop Frequency	9kHz~150kHz / RB 200Hz for QP
Start ~ Stop Frequency	150kHz~30MHz / RB 9kHz for QP
Start ~ Stop Frequency	30MHz~1000MHz / RB 120kHz for QP

**3.3.7 TEST PROCEDURE**

- a. The measuring distance of at 3 m shall be used for measurements at frequency up to 1GHz. For frequencies above 1GHz, any suitable measuring distance may be used.
- b. The EUT was placed on the top of a rotating table 0.8 m for below 1GHz and 1.5m for above 1GHz the ground at a 3 meter. The table was rotated 360 degrees to determine the position of the highest radiation.
- c. The height of the equipment or of the substitution antenna shall be 0.8 m for below 1GHz and 1.5m for above 1GHz; the height of the test antenna shall vary between 1 m to 4 m. Both horizontal and vertical polarizations of the antenna are set to make the measurement.
- d. The initial step in collecting conducted emission data is a spectrum analyzer peak detector mode pre-scanning the measurement frequency range. Significant peaks are then marked and then Quasi Peak detector mode re-measured.
- e. If the Peak Mode measured value compliance with and lower than Quasi Peak Mode Limit, the EUT shall be deemed to meet QP Limits and then no additional QP Mode measurement performed.
- f. For the actual test configuration, please refer to the related Item –EUT Test Photos.

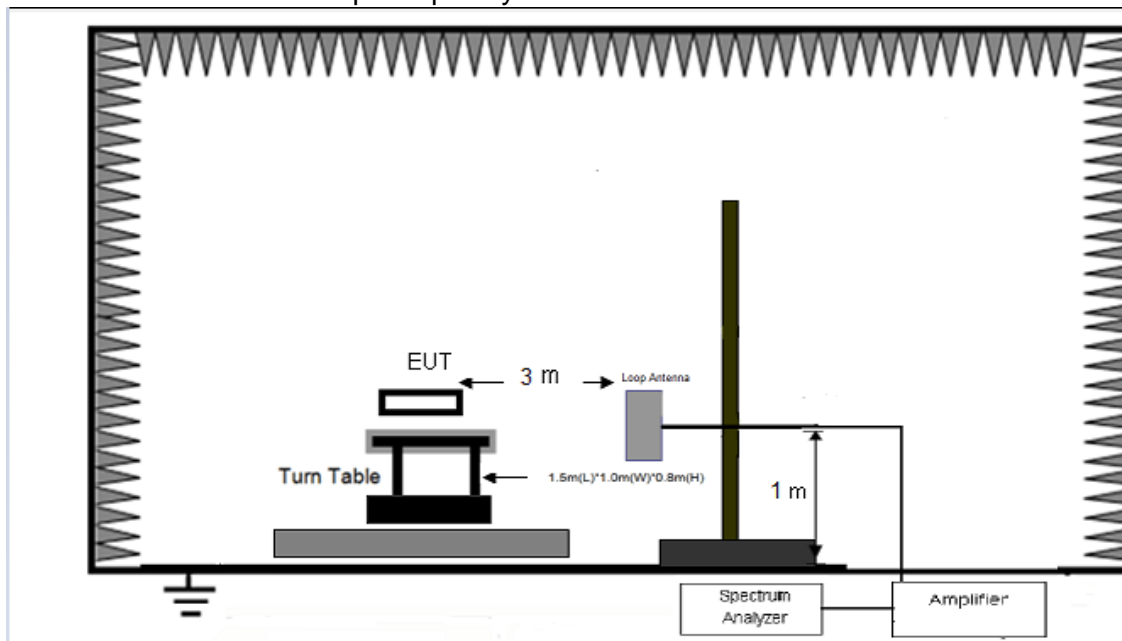
Note:

Both horizontal and vertical antenna polarities were tested and performed pretest to three orthogonal axis. The worst case emissions were reported

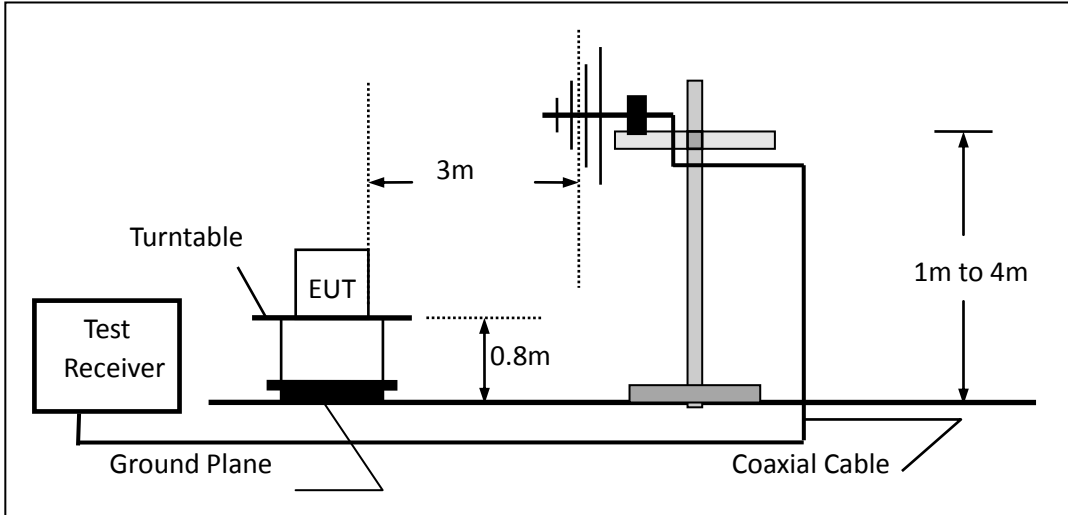
**3.3.8 DEVIATION FROM TEST STANDARD**

No deviation

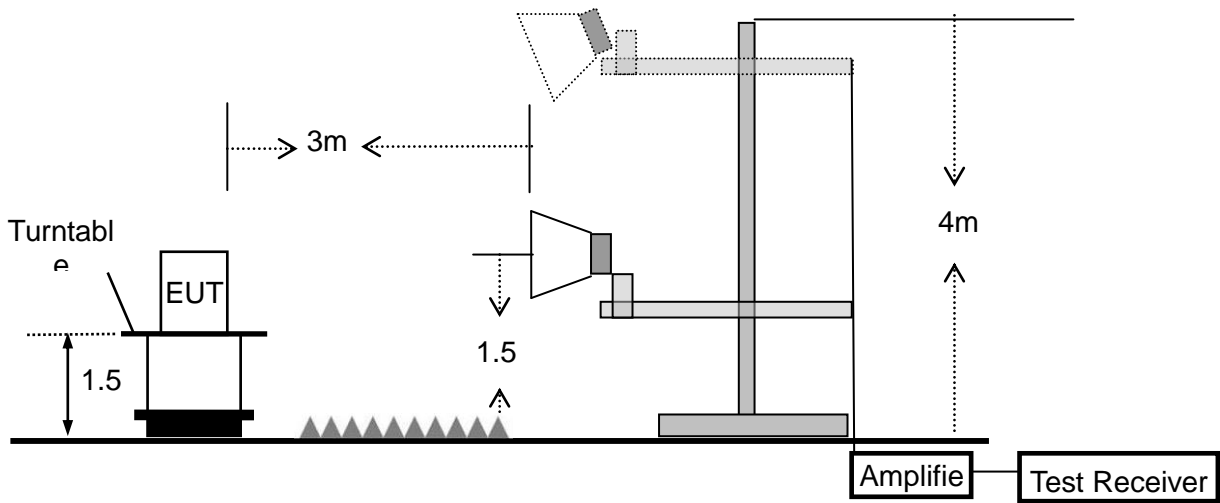
(A) Radiated Emission Test-Up Frequency Below 30MHz



(B) Radiated Emission Test-Up Frequency 30MHz~1GHz



(C) Radiated Emission Test-Up Frequency Above 1GHz



**3.3.9 TEST RESULTS (BELOW 30MHz)**

EUT :	Weather Station (Transmitter)	Model Name. :	WL69BN
Temperature :	20 °C	Relative Humidity :	48%
Pressure :	1010 hPa	Test Voltage :	DC 3V
Test Mode :	TX	Polarization :	--

Freq.	Reading	Limit	Margin	State
(MHz)	(dBuV/m)	(dBuV/m)	(dB)	P/F
--	--	--	--	PASS
--	--	--	--	PASS

Note:

The amplitude of spurious emissions which are attenuated by more than 20dB below the permissible value has no need to be reported.

Remark :1. Emission level in dBuV/m=20 log (uV/m)

2. Measurement was performed at an antenna to the closed point of EUT distance of meters.

3. For Frequency 9kHz~30MHz:

Distance extrapolation factor =40log(Specific distance/ test distance)(dB);

Limit line=Specific limits(dBuV) + distance extrapolation factor.

For Frequency above 30MHz:

Distance extrapolation factor =20log(Specific distance/ test distance)(dB);

Limit line=Specific limits(dBuV) + distance extrapolation factor.

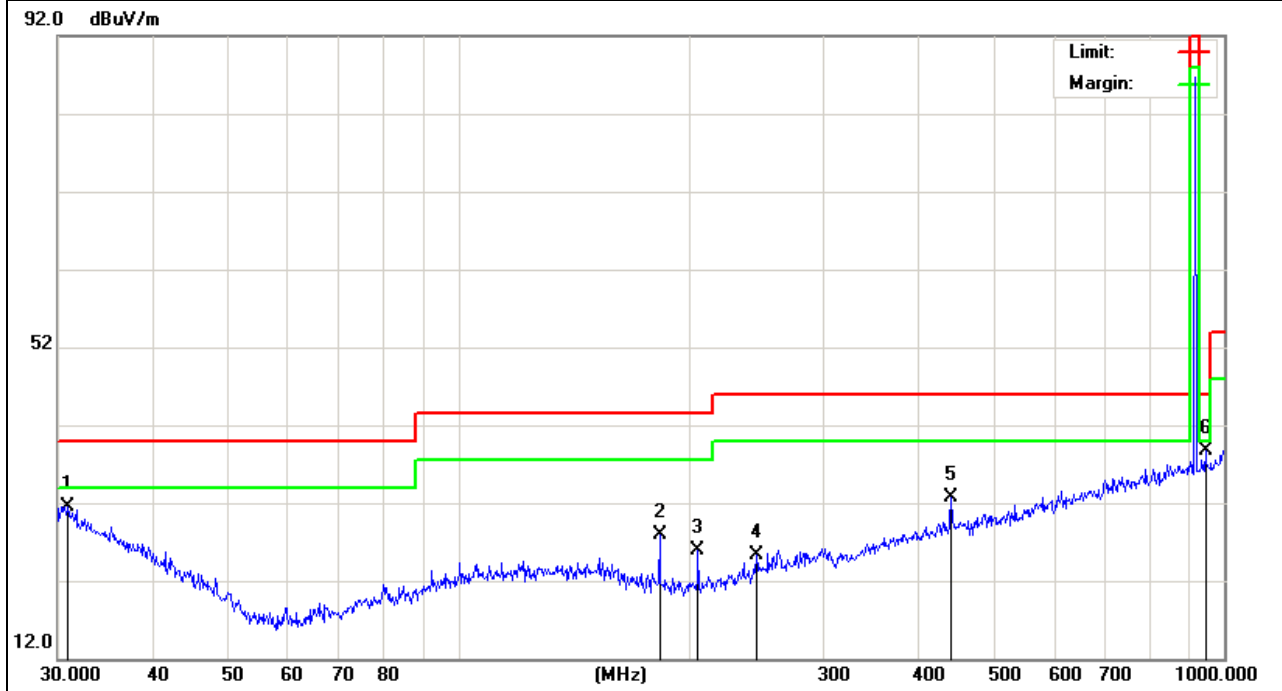
**3.3.10 TEST RESULTS (BELOW 1000 MHz)**

EUT :	Weather Station (Transmitter)	Model Name :	WL69BN
Temperature :	25 °C	Relative Humidity :	51%
Pressure :	1010 hPa	Test Voltage :	DC 3V
Test Mode :	Mode 1	Polarization :	Vertical

Frequency (MHz)	Meter Reading (dBµV)	Factor (dB)	Emission Level (dBµV/m)	Limits (dBµV/m)	Margin (dB)	Detector Type
30.9618	5.67	25.87	31.54	40.00	-8.46	QP
183.2005	11.21	16.67	27.88	43.50	-15.62	QP
205.6750	9.51	16.37	25.88	43.50	-17.62	QP
245.0900	6.73	18.62	25.35	46.00	-20.65	QP
440.1963	8.69	24.07	32.76	46.00	-13.24	QP
945.4397	7.54	31.15	38.69	46.00	-7.31	QP

Remark:

- Factor = Antenna Factor + Cable Loss – Pre-amplifier.

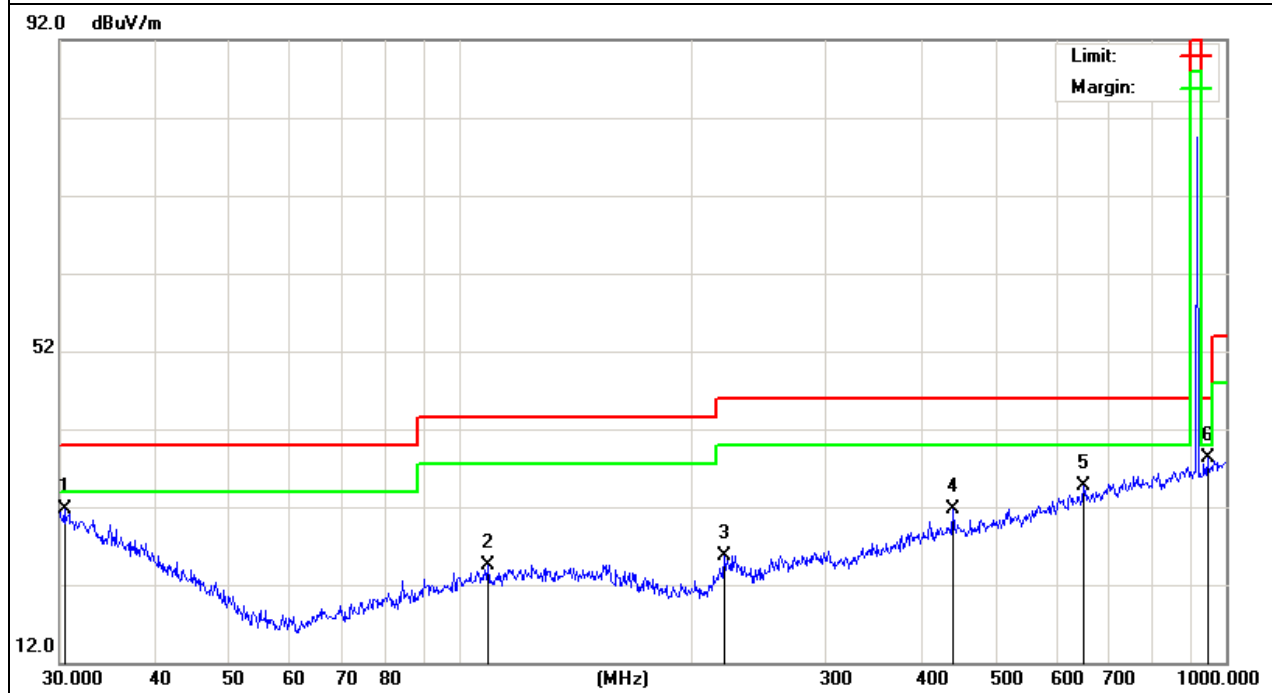


EUT :	Weather Station (Transmitter)	Model Name :	WL69BN
Temperature :	25 °C	Relative Humidity :	51%
Pressure :	1010 hPa	Test Voltage :	DC 3V
Test Mode :	Mode 1	Polarization :	Horizontal

Frequency (MHz)	Meter Reading (dBμV)	Factor (dB)	Emission Level (dBμV/m)	Limits (dBμV/m)	Margin (dB)	Detector Type
30.4237	5.77	25.86	31.63	40.00	-8.37	QP
108.6470	6.41	18.18	24.59	43.50	-18.91	QP
221.3919	8.42	17.20	25.62	46.00	-20.38	QP
440.1963	7.68	24.07	31.75	46.00	-14.25	QP
651.9415	7.61	27.08	34.69	46.00	-11.31	QP
945.4397	7.09	31.15	38.24	46.00	-7.76	QP

Remark:

1. Factor = Antenna Factor + Cable Loss – Pre-amplifier.



**3.3.11 TEST RESULTS (ABOVE 1000 MHZ)**

EUT :	Weather Station (Transmitter)	Model Name :	WL69BN
Temperature :	25 °C	Relative Humidity :	51%
Pressure :	1010 hPa	Test Voltage :	DC 3V
Test Mode :	Mode 1	Polarization :	Horizontal

That all other emissions above 1GHz are attenuated 30dB below the limit, so it does not record.

Frequency (MHz)	Reading (dBuV/m)	Correct Factor (dB)	Dutycycle Factor (dB)	Result (dBuV/m)	Limit (dBuV/m)	Over Limit (dB)	Remark
1830.000	38.14	8.42	-	46.56	74	-27.44	Peak
4575.000	45.1	17.91	-	63.01	74	-10.99	Peak
5490.000	34.66	19.11	-	53.77	74	-20.23	Peak
1830.000	-	-	-19.85	26.71	54	-27.29	AVG
4575.000	-	-	-19.85	43.16	54	-10.84	AVG
5490.000	-	-	-19.85	33.92	54	-20.08	AVG

Remark:

Factor = Antenna Factor + Cable Loss – Pre-amplifier.

EUT :	Weather Station (Transmitter)	Model Name :	WL69BN
Temperature :	25 °C	Relative Humidity :	51%
Pressure :	1010 hPa	Test Voltage :	DC 3V
Test Mode :	Mode 1	Polarization :	Vertical

Frequency (MHz)	Reading (dBuV/m)	Correct Factor (dB)	Dutycycle Factor (dB)	Result (dBuV/m)	Limit (dBuV/m)	Over Limit (dB)	Remark
1830.000	38.07	8.42	-	46.49	74	-27.51	Peak
4575.000	43.26	17.91	-	61.17	74	-12.83	Peak
5490.000	34.66	19.11	-	53.77	74	-20.23	Peak
1830.000	-	-	-19.85	26.64	54	-27.36	AVG
4575.000	-	-	-19.85	41.32	54	-12.68	AVG
5490.000	-	-	-19.85	33.92	54	-20.08	AVG

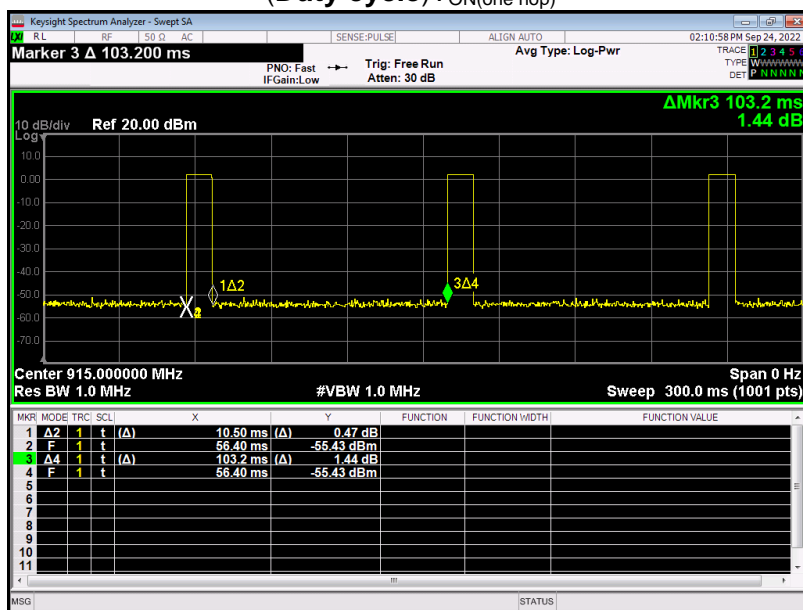
Remark:  
Factor = Antenna Factor + Cable Loss – Pre-amplifier.

**Note:** 1) EUT Pre-scan X/Y/Z orientation, only worst case is presented in the report(Y orientation).  
2)The average value of harmonic emissions is: Average= Peak Value+ 20log(Duty cycle)

\*Calculate Average value based on Duty Cycle correction factor: Ton=10.5ms  
Duty Cycle=Ton/(Ton+Toff) =10.5/103.2=0.1017=10.17%  
Duty Cycle factor= 20log (Duty Cycle) =20log (10.17%) = -19.85  
Average=Peak+ Duty Cycle factor= Peak-19.85

### Test Plot For Duty cycle

(Duty cycle) T<sub>ON</sub>(one hop)



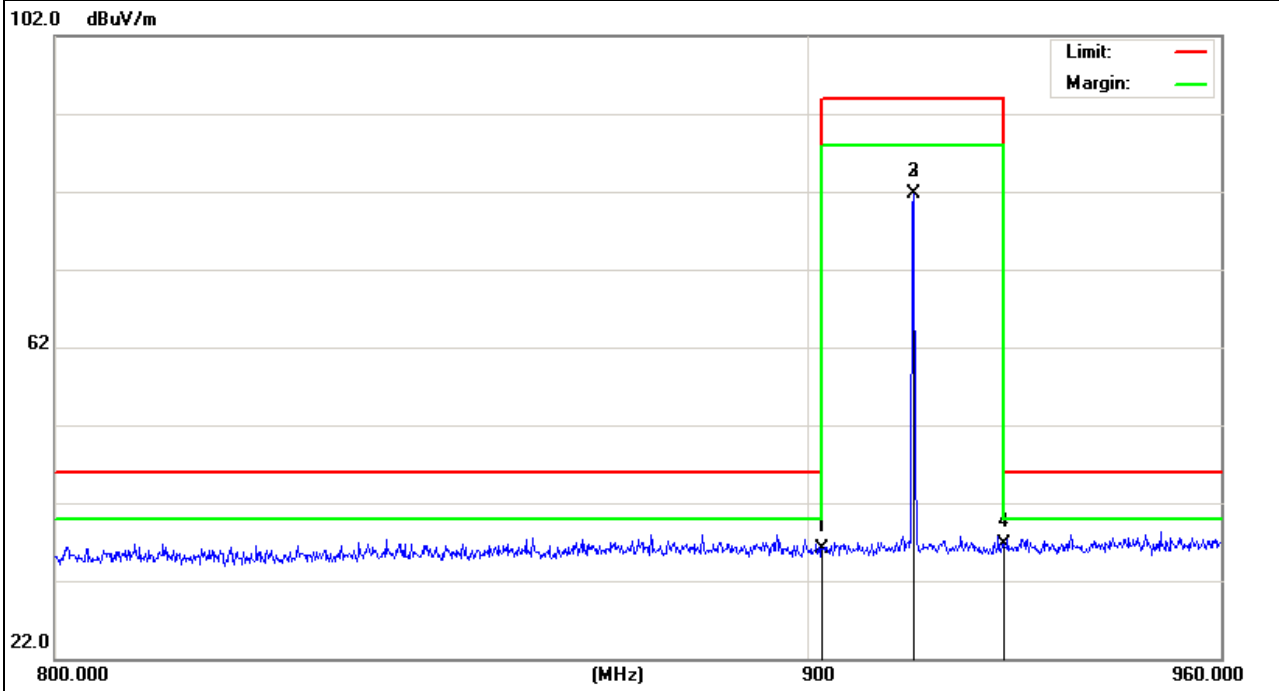


**3.3.12 TEST RESULTS (RESTRICTED BANDS REQUIREMENTS)**

EUT :	Weather Station (Transmitter)	Model Name :	WL69BN
Temperature :	25 °C	Relative Humidity :	51%
Pressure :	1010 hPa	Test Voltage :	DC 3V
Test Mode :	TX-915MHz	Polarization :	Horizontal

Frequency (MHz)	Meter Reading (dBμV)	Factor (dB)	Emission Level (dBμV/m)	Limits (dBμV/m)	Margin (dB)	Detector Type
902.0000	5.92	30.27	36.19	46.00	-9.81	peak
915.0000	50.99	30.74	81.73	94.00	-12.27	peak
915.0000	51.06	30.74	81.80	94.00	-12.20	QP
928.0000	6.08	30.71	36.79	46.00	-9.21	peak

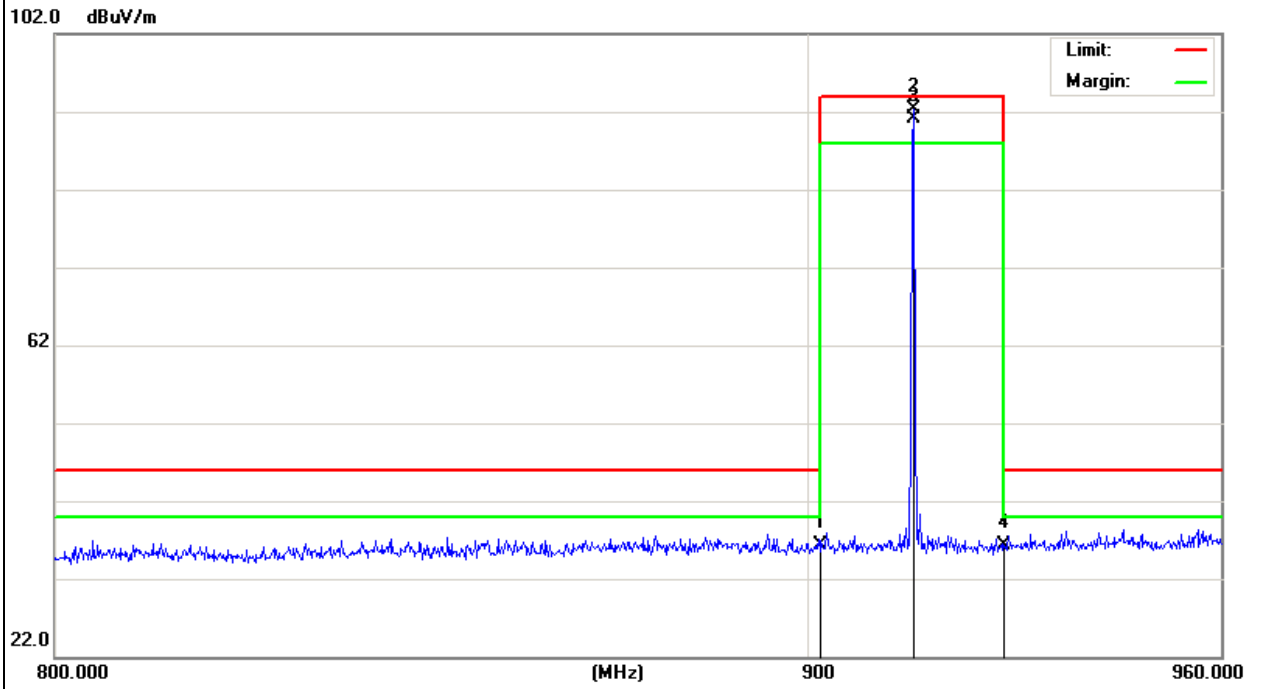
Remark:  
 Factor = Antenna Factor + Cable Loss – Pre-amplifier.



EUT :	Weather Station (Transmitter)	Model Name :	WL69BN
Temperature :	25 °C	Relative Humidity :	51%
Pressure :	1010 hPa	Test Voltage :	DC 3V
Test Mode :	TX-915MHz	Polarization :	Vertical

Frequency (MHz)	Meter Reading (dBμV)	Factor (dB)	Emission Level (dBμV/m)	Limits (dBμV/m)	Margin (dB)	Detector Type
902.0000	6.05	30.27	36.32	46.00	-9.68	peak
915.0000	61.55	30.74	92.29	94.00	-1.71	peak
915.0000	60.46	30.74	91.20	94.00	-2.80	QP
928.0000	5.62	30.71	36.33	46.00	-9.67	peak

Remark:  
Factor = Antenna Factor + Cable Loss – Pre-amplifier.



**4. BANDWIDTH TEST**

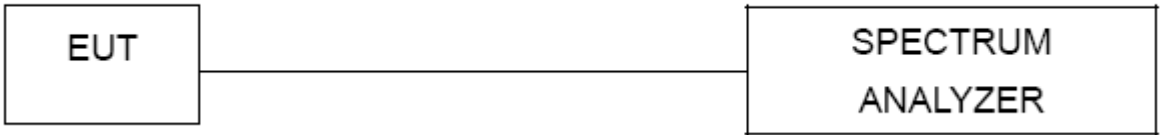
**4.1 TEST PROCEDURE**

- a. The EUT was directly connected to the spectrum analyzer and antenna output port as show in the block diagram below,
- b. Spectrum Setting : The resolution bandwidth (RBW) shall be in the range of 1% to 5% of the actual occupied / x dB bandwidth and the video bandwidth (VBW) shall not be smaller than three times the RBW value., Sweep time = Auto.

**4.2 DEVIATION FROM STANDARD**

No deviation.

**4.3 TEST SETUP**

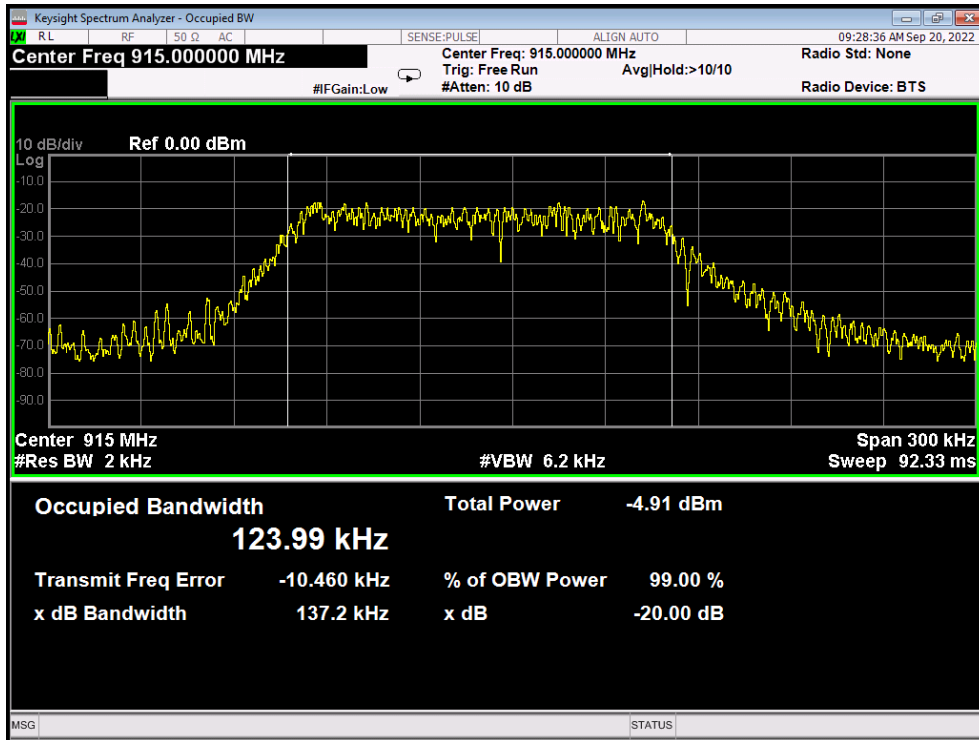


6. TEST RESULTS

EUT :	Weather Station (Transmitter)	Model Name :	WL69BN
Temperature :	26 °C	Relative Humidity :	53%
Pressure :	1020 hPa	Test Power :	DC 3V
Test Mode :	Mode 1		

Test Channel	Frequency (MHz)	20 dBc Bandwidth (MHz)
CH01	915	0.137

915 MHz



END OF REPORT