

GBT-915  
915MHz Spring Antenna  
Specifications

型号 (Model) GBT-915-0.5\*4.5\*9.2\*10N-4.5\*4\*2.7L-1L (HP3002)



深圳市志冠模具五金有限公司  
Company Address: 1st Floor, No. 50 Ruyi South Road,  
Ailian Community, Longcheng Street, Longgang District,  
Shenzhen  
Phone: 13590380371  
Tel: 0755-89617759  
Fax: 0755-89617759  
E-mail:zx07901@163.com

## 1. Product description

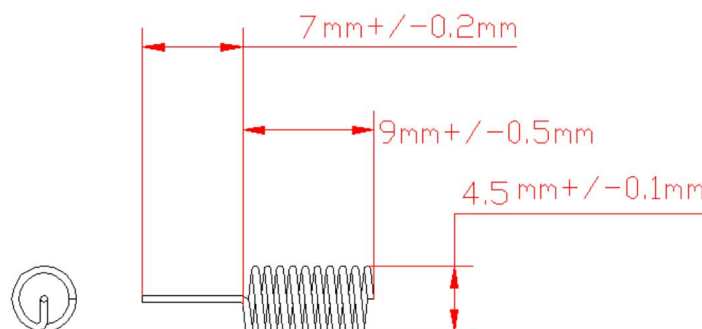
GBT-915-0.5\*4.5\*9.2\*10N-4.5\*4\*2.7L-1L (HP3002) spring antenna is a special antenna designed for 915MHz wireless communication system. The antenna has good standing wave ratio performance, small size, ingenious structure, convenient installation, stable performance, and good anti-vibration and aging ability.

## 2. Specifications

- ◆ 中心频率 (working Frequency) : 915MHz
- ◆ 驻波比 (VSWR) :  $\leq 2.5$
- ◆ 增益 (Gain) : -2.1 DBI
- ◆ 输入阻抗 (impedance) :  $50 \Omega$
- ◆ 线径 (wire diameter) : 0.5 mm
- ◆ 接口形式 (Interface) : Direct welding
- ◆ 天线颜色 (Colour) : golden
- ◆ 材质 (Material) : copper

## 三、机械尺寸 (machine size)

尺寸图



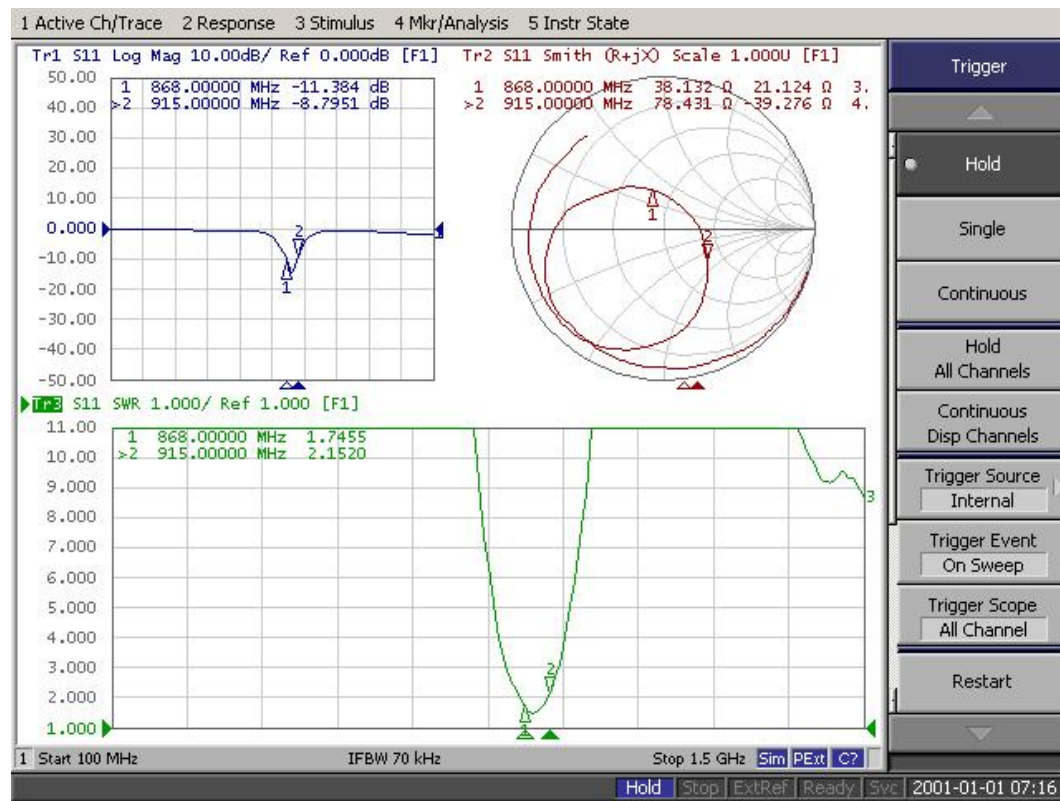
26F0

天线 (直角) GBT-915-0.5\*4.5\*9.2\*10N-4.5\*4\*2.7L-1L (HP3002)

弹簧: 线径0.5mm, 圈数9.75, 材质黄铜

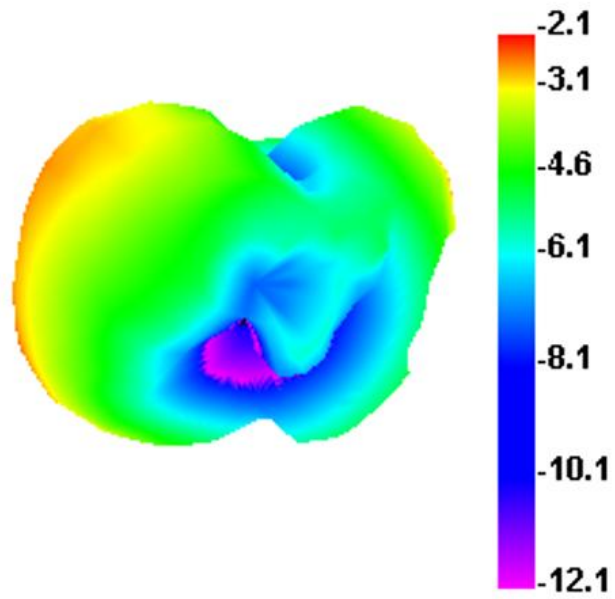
## 四、VSWR、Radiation Pattern

### VSWR (电压驻波比)



Radiation Pattern For 915MHz Antenna

**915.000MHz**



Radiation Pattern For 915MHz Antenna

**915.000MHz E1**

