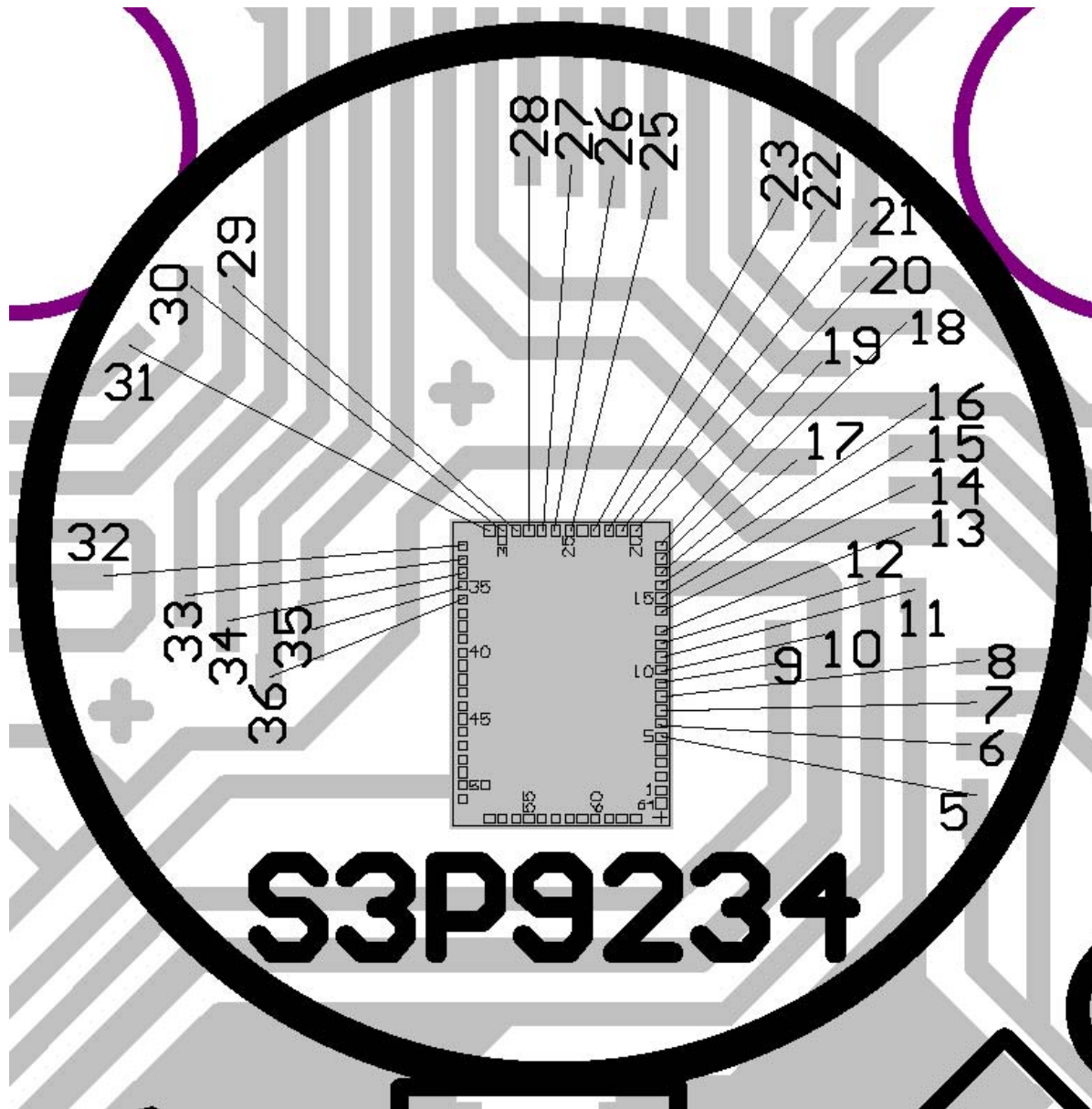


BONDING DIAGRAM

NOTE:



PCB NO	WHP0039C3V02
COMPONENT	S3P9234
BOND	31
WIRE	
TYPE	OTP
REVISION	H
ENGINEER	wpm
MANAGER	
DATE	2010/4/27

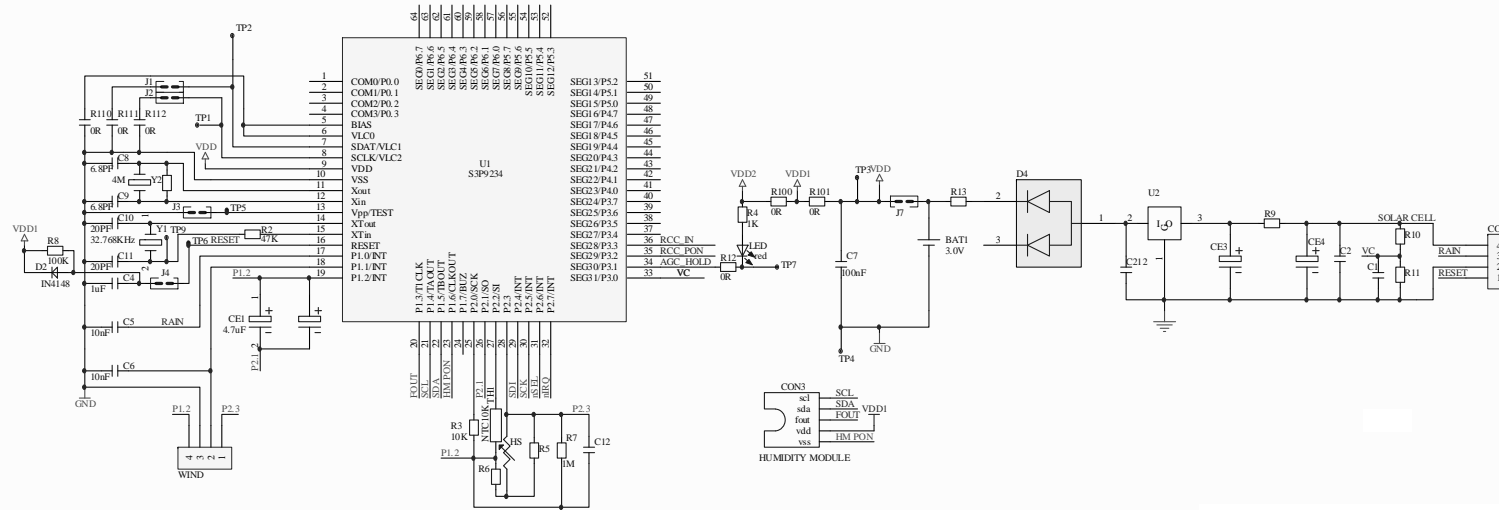
PAGE 1 OF 8 PAGES

MODEL NO.:	WH7B
DESCRIPTION:	FSK TRANSMITTER(WHP0039C3V02)

CIRCUIT DIAGRAM

NOTE:

1: After program, close
J1 J2 J3 J4



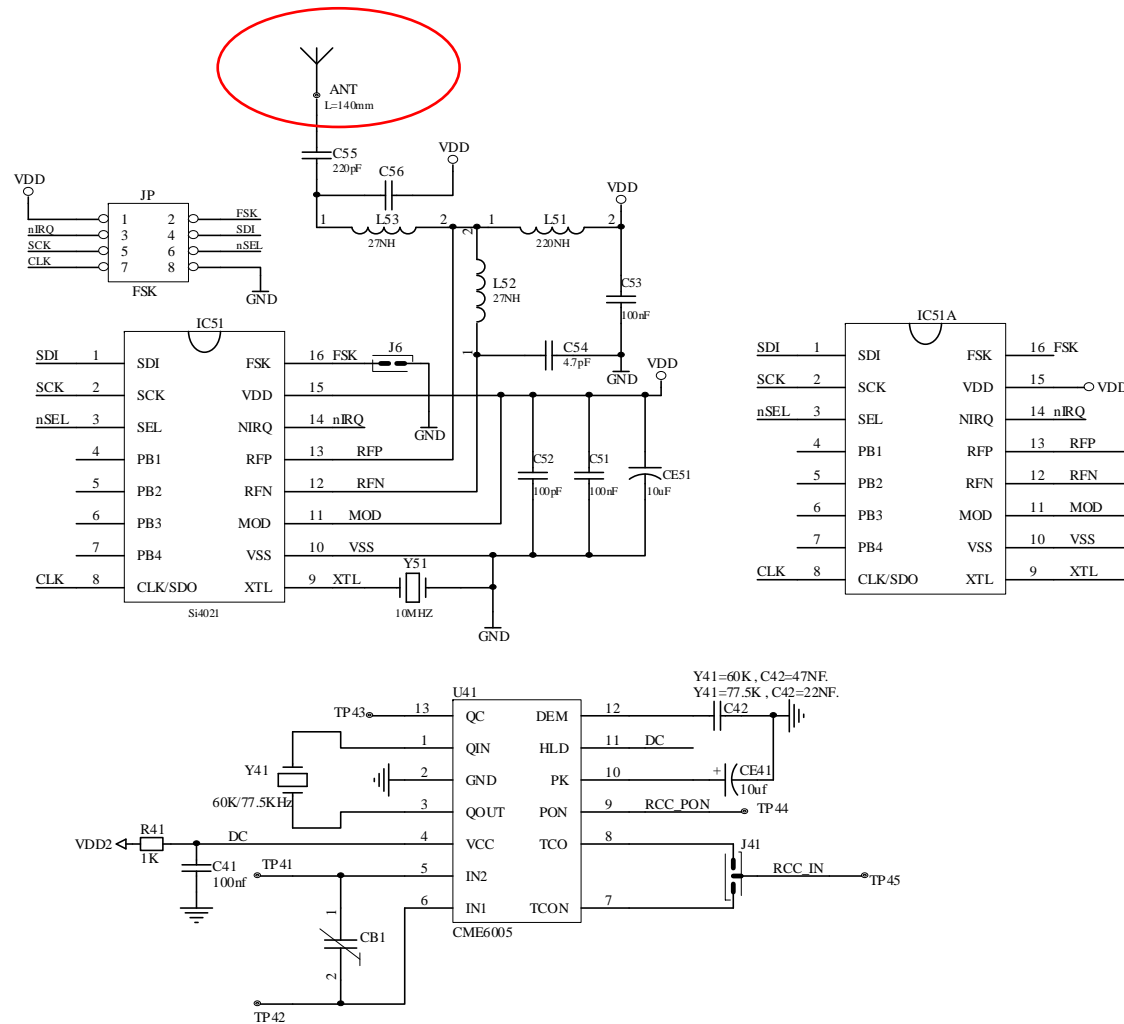
PCB TYPE	MAIN	✓
	OTHER	
REVISION	H	
ENGINEER	wpm	
MANAGER		
DATE	2010/4/27	

PAGE 2 OF 8 PAGES

MODEL NO.:	WH7B
DESCRIPTION:	FSK TRANSMITTER(WHP0039C3V02)

CIRCUIT DIAGRAM

NOTE:



PCB TYPE	MAIN	
	RF	✓
REVISION	H	
ENGINEER	wpm	
MANAGER		
DATE	2010/4/27	
PAGE 3 OF 8 PAGES		

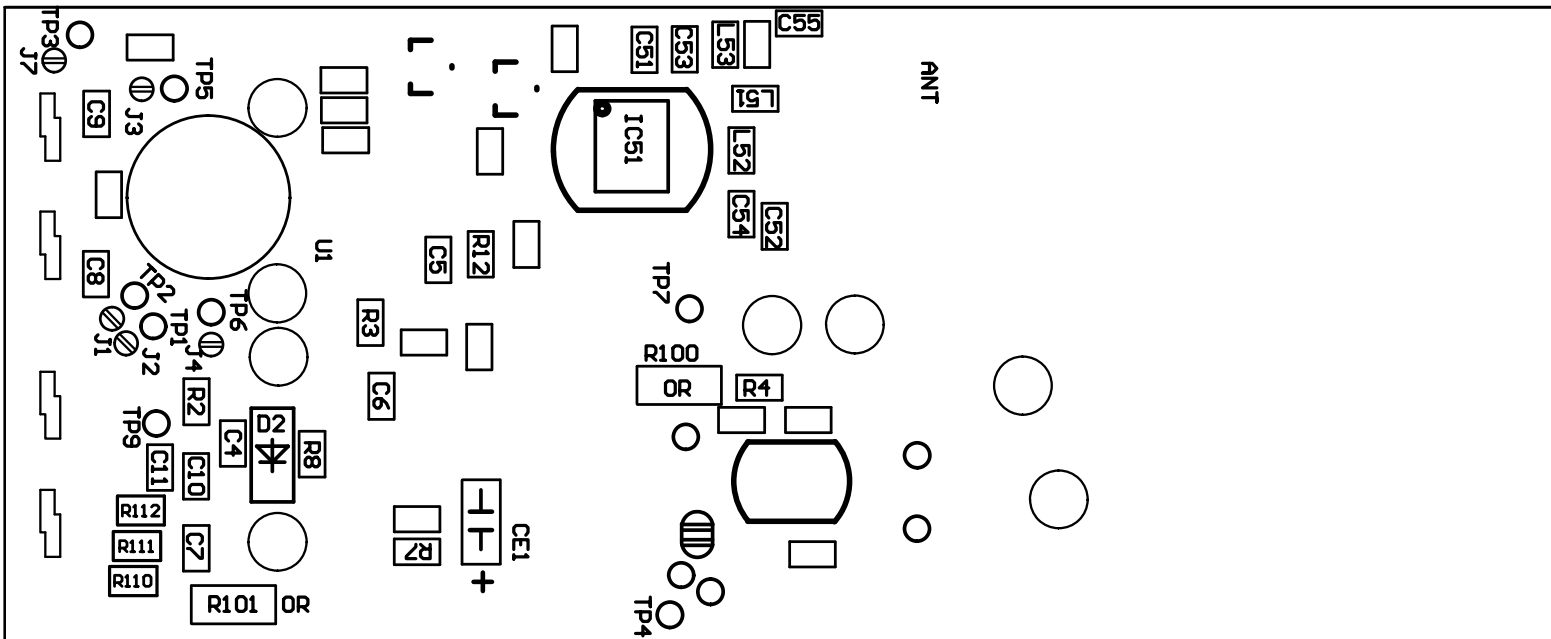
MODEL NO.:
WH7B
DESCRIPTION:
FSK TRANSMITTER(WHP0039C3V02)

FINE OFFSET ELECTRONICS
CO.,LTD

PCB LAYOUT

NOTE:

**1: After program, close
J1 J2 J3 J4**



PCB TYPE	
COMP	✓
MASK	
TRACE	
HOLE	
COMPONENT SIDE	✓
REVISION	H
ENGINEER	wpm
MANAGER	
DATE	2010/4/27

PAGE 4 OF 8 PAGES

MODEL NO.:

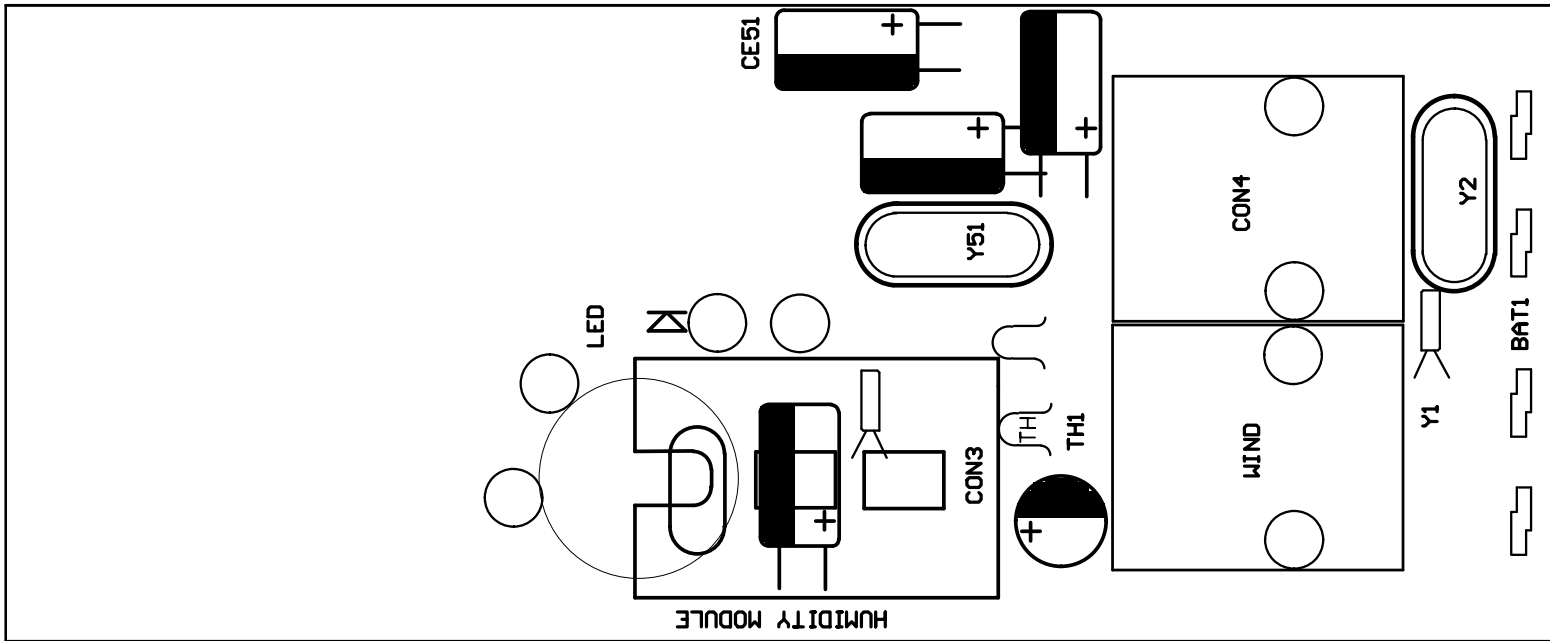
WH7B

DESCRIPTION:

FSK TRANSMITTER (WHP0039C3V02)

PCB LAYOUT

NOTE:



PCB TYPE	
COMP	
MASK	
TRACE	
HOLE	
COMPONENT SIDE	✓
REVISION	H
ENGINEER	wpm
MANAGER	
DATE	2010/4/27

PAGE 5 OF 8 PAGES

MODEL NO.:

WH7B

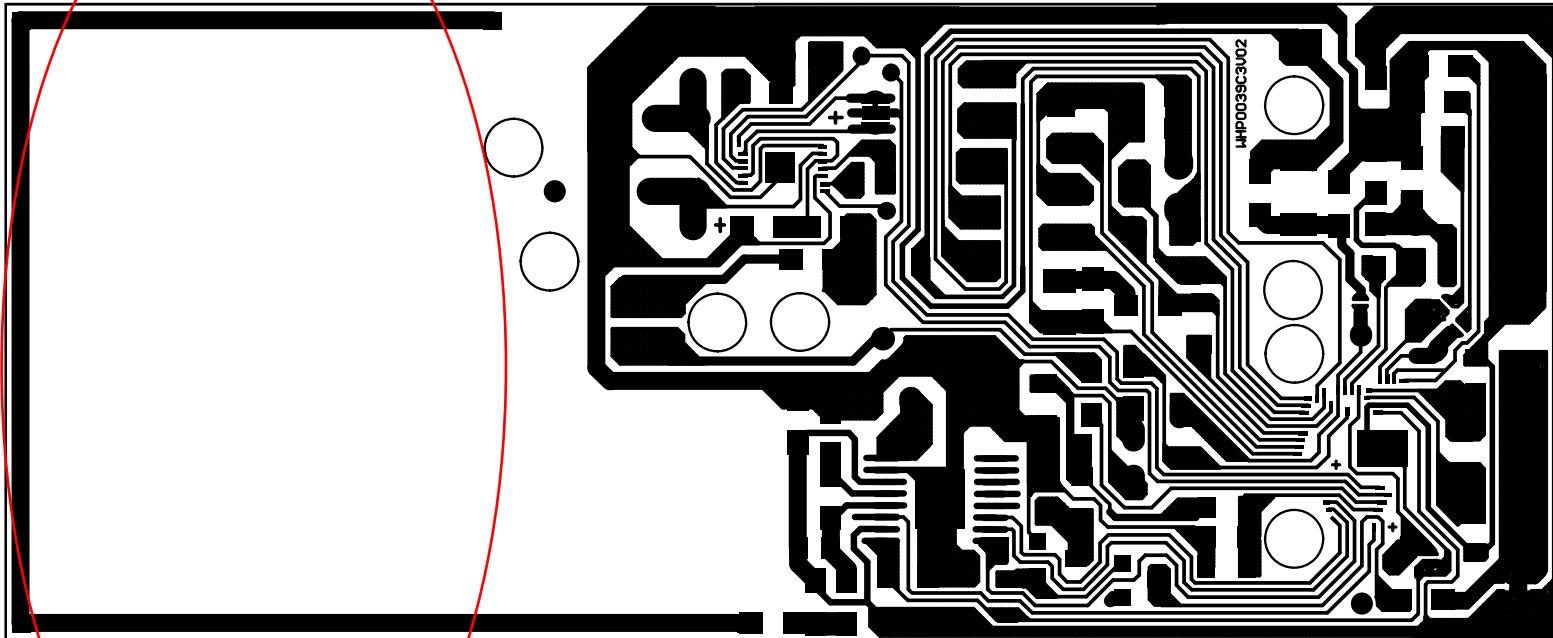
DESCRIPTION:

FSK TRANSMITTER(WHP0039C3V02)

**FINE OFFSET ELECTRONICS
CO.,LTD**

PCB LAYOUT

NOTE:



PCB TYPE	
COMP	
MASK	
TRACE	✓
HOLE	
COMPONENT SIDE	
REVISION	H
ENGINEER	wpm
MANAGER	
DATE	2010/4/27

PAGE 6 OF 8 PAGES

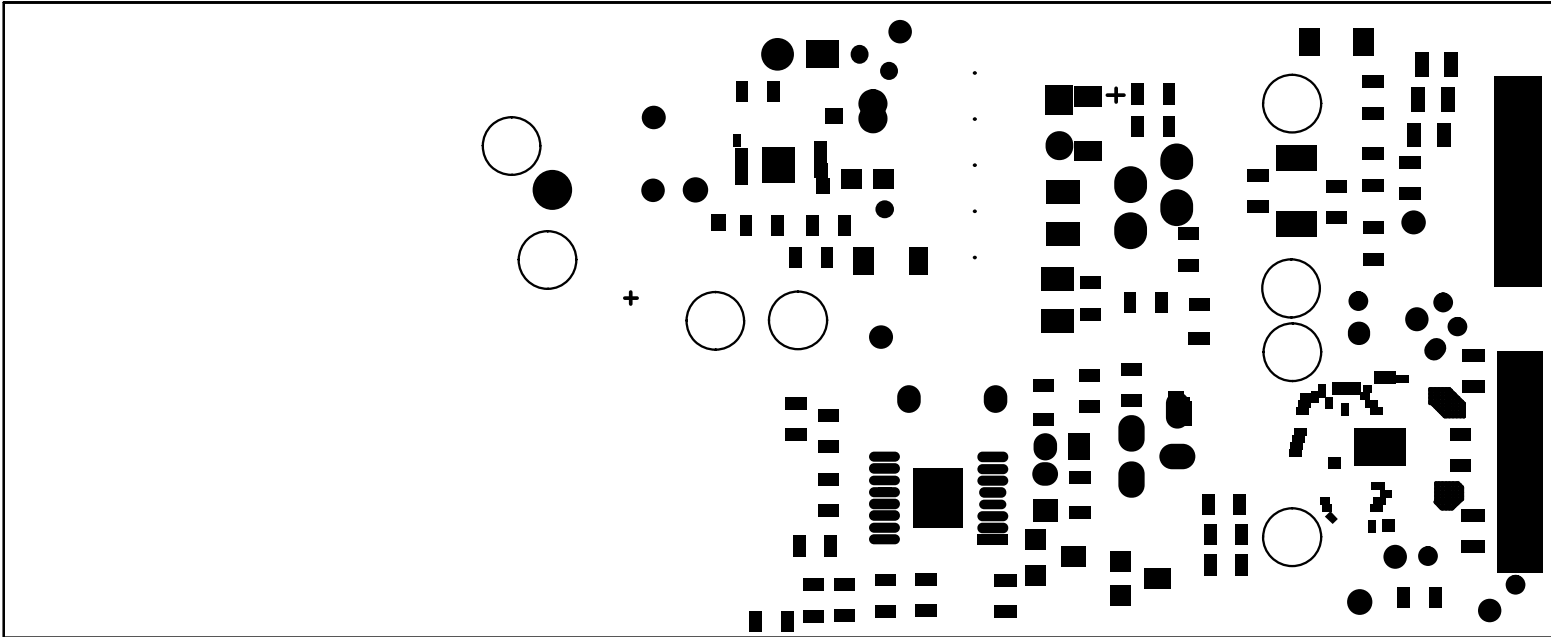
MODEL NO.:
WH7B

DESCRIPTION:
FSK TRANSMITTER(WHP0039C3V02)

**FINE OFFSET ELECTRONICS
CO.,LTD**

PCB LAYOUT

NOTE:



PCB TYPE

COMP

MASK

✓

TRACE

HOLE

COMPONENT SIDE

REVISION

H

ENGINEER

wpm

MANAGER

DATE

2010/4/27

PAGE 7 OF 8 PAGES

MODEL NO.:

WH7B

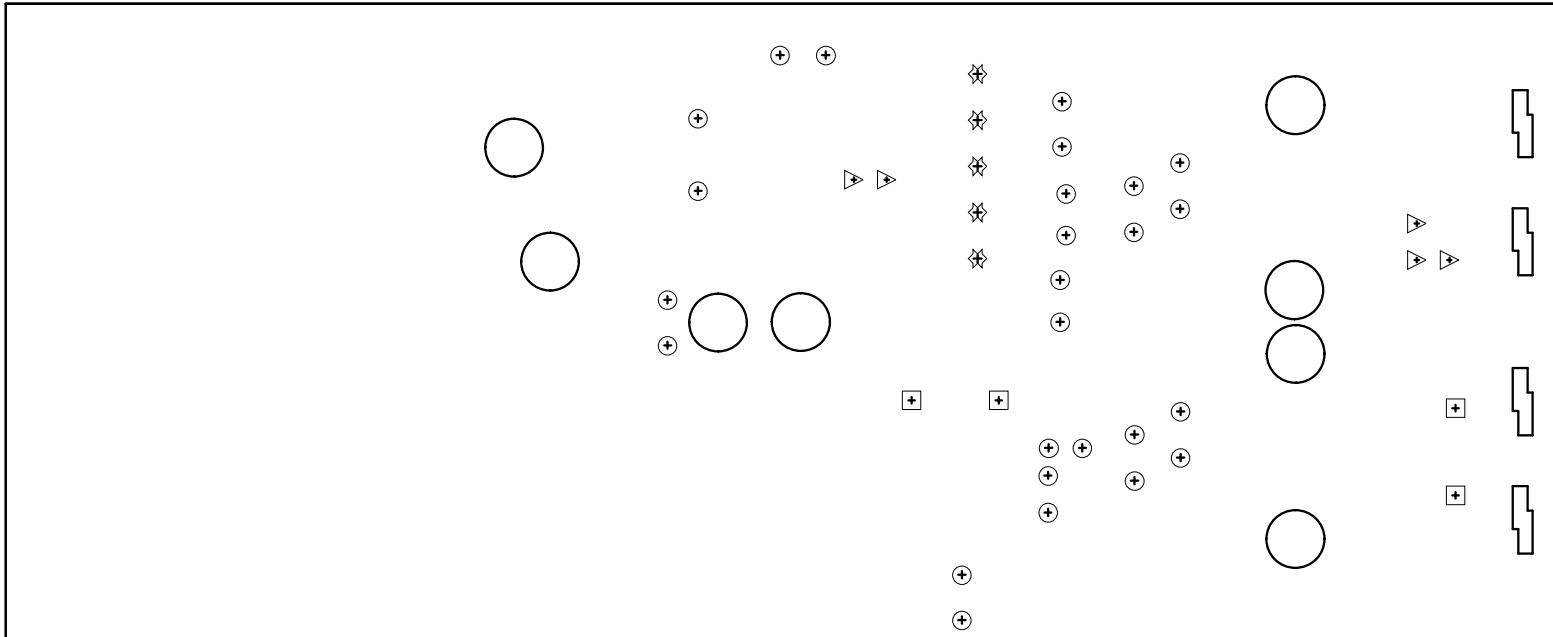
DESCRIPTION:

FSK TRANSMITTER(WHP0039C3V02)

**FINE OFFSET ELECTRONICS
CO.,LTD**

PCB LAYOUT

NOTE:



PCB TYPE	
COMP	
MASK	
TRACE	
HOLE	√
COMPONENT SIDE	
REVISION	H
ENGINEER	wpm
MANAGER	
DATE	2010/4/27
PAGE 8 OF 8 PAGES	

MODEL NO.:
WH7B

DESCRIPTION:
FSK TRANSMITTER(WHP0039C3V02)