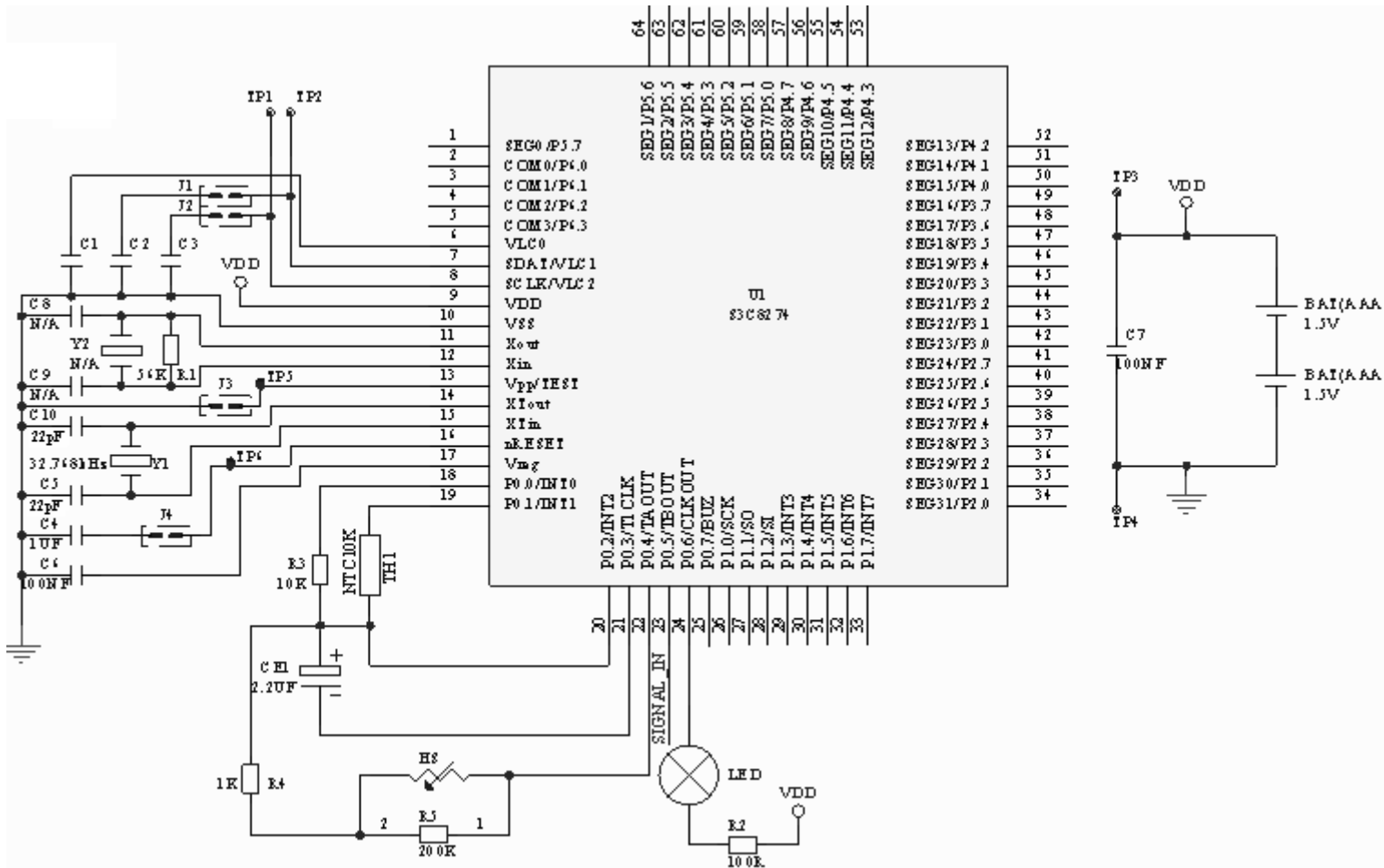


CIRCUIT DIAGRAM

NOTE:

1. After Program Close
J3 J4
2. J1 J2=Open

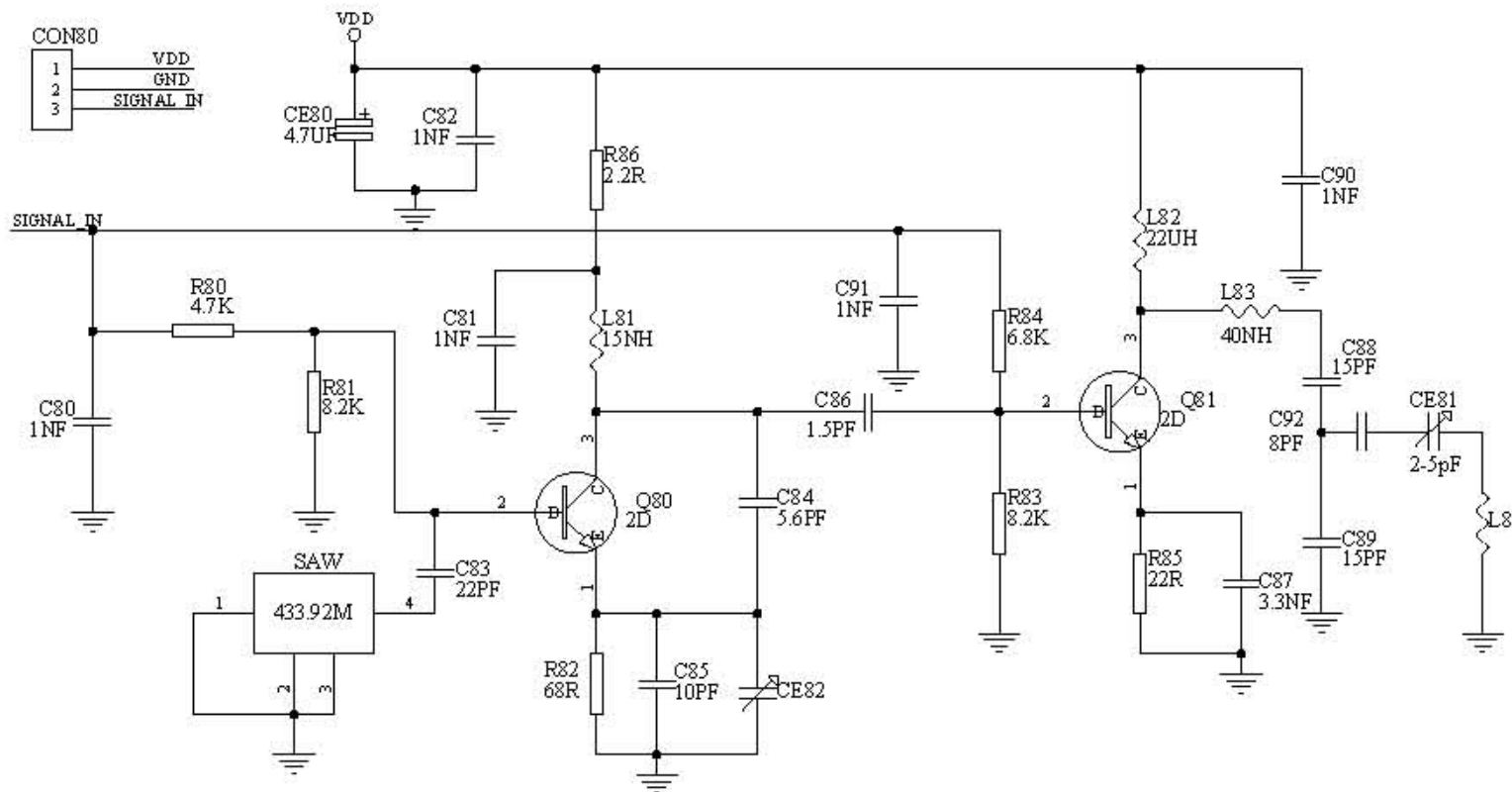


PCB TYPE	MAIN	✓
	OTHER	
REVISION	C	
ENGINEER	wpm	
MANAGER		
DATE	8-06-17	

MODEL NO.:
WH5
DESCRIPTION:
ASK TRANSMITTER(WHP0035A1V01)

CIRCUIT DIAGRAM

NOTE:



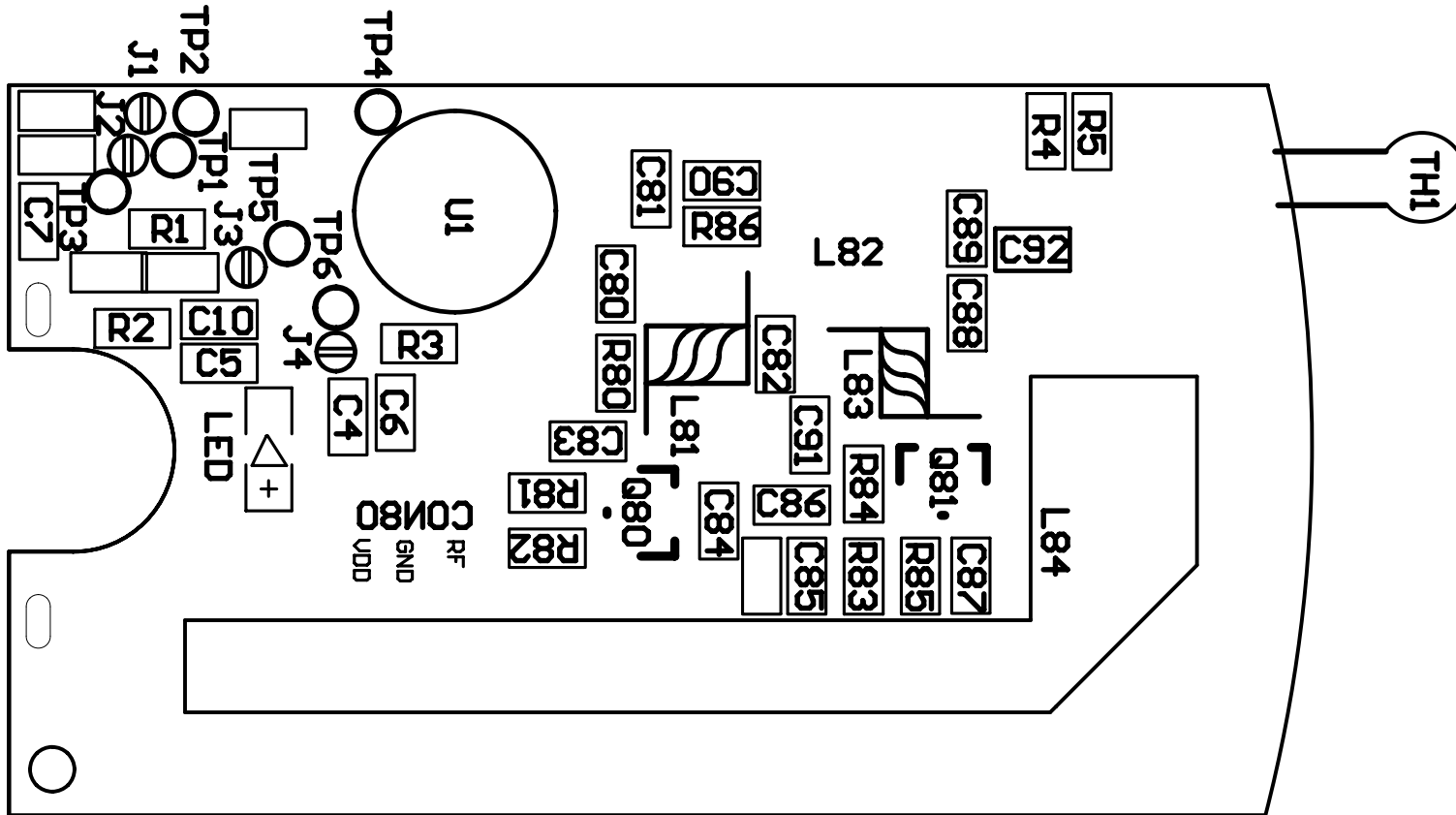
PCB TYPE	MAIN	
	RF	✓
REVISION	C	
ENGINEER	wpm	
MANAGER		
DATE	8-06-17	
PAGE 3 OF 10 PAGES		

MODEL NO.:
WH5
DESCRIPTION:
ASK TRANSMITER(WHP0035A1V01)

PCB LAYOUT

NOTE:

1. After Program Close
J3 J4
2. J1 J2=Open



PCB TYPE	
COMP	
MASK	
TRACE	
HOLE	
COMPONENT SIDE	✓
REVISION	C
ENGINEER	wpm
MANAGER	
DATE	8-06-17

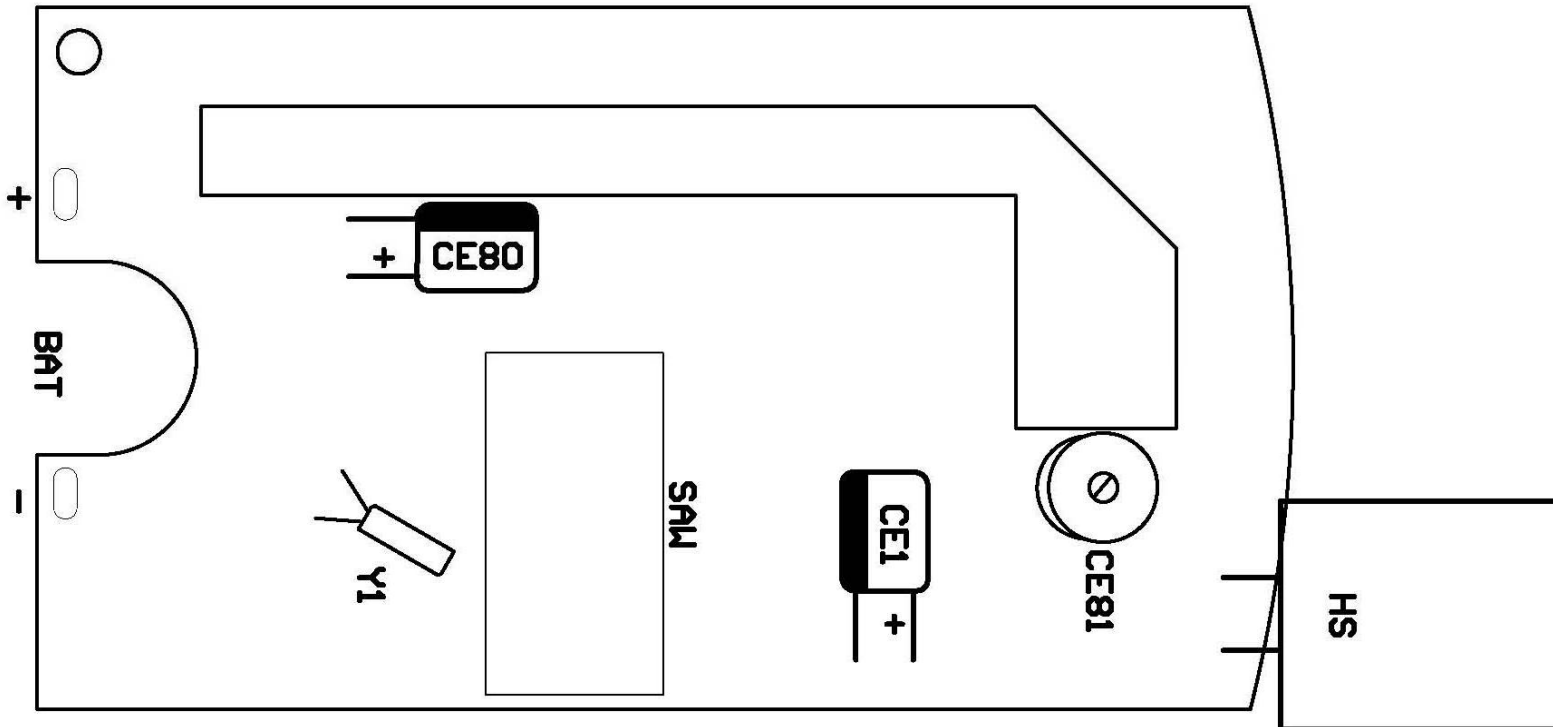
PAGE 4 OF 10 PAGES

MODEL NO.:	WH5
DESCRIPTION:	ASK TRANSMITTER(WHP0035A1V01)

**FINE OFFSET ELECTRONICS
CO.,LTD**

PCB LAYOUT

NOTE:



PCB TYPE	
COMP	✓
MASK	
TRACE	
HOLE	
COMPONENT SIDE	
REVISION	C
ENGINEER	wpm
MANAGER	
DATE	8-06-17
PAGE 5 OF 10 PAGES	

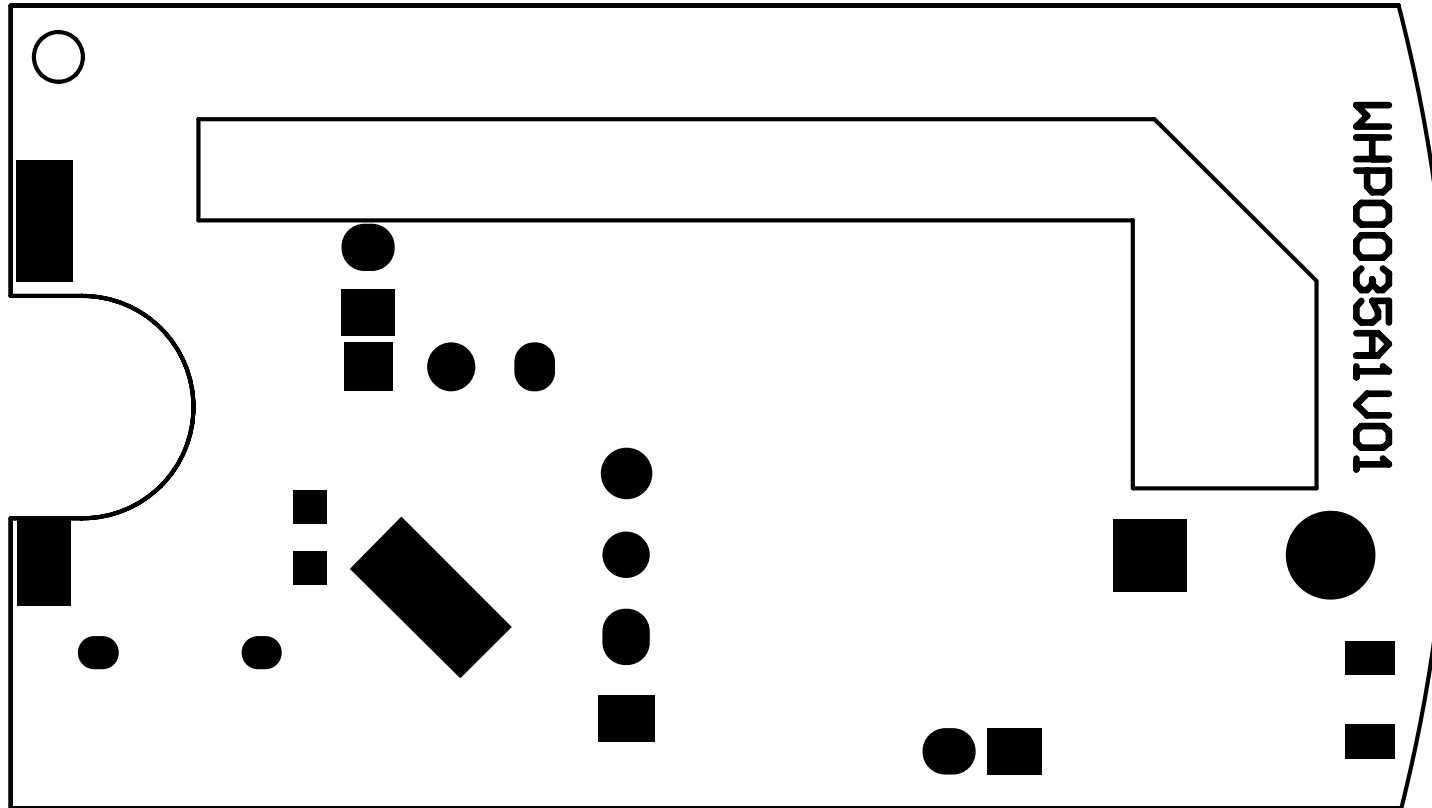
MODEL NO.:
WH5

DESCRIPTION:
ASK TRANSMITTER(WHP0035A1V01)

**FINE OFFSET ELECTRONICS
CO.,LTD**

PCB LAYOUT

NOTE:



PCB TYPE

COMP

MASK

TRACE

HOLE

COMPONENT

SIDE

REVISION

ENGINEER

MANAGER

DATE

✓

C

wpm

8-06-17

PAGE 6 OF 10 PAGES

MODEL NO.:

WH5

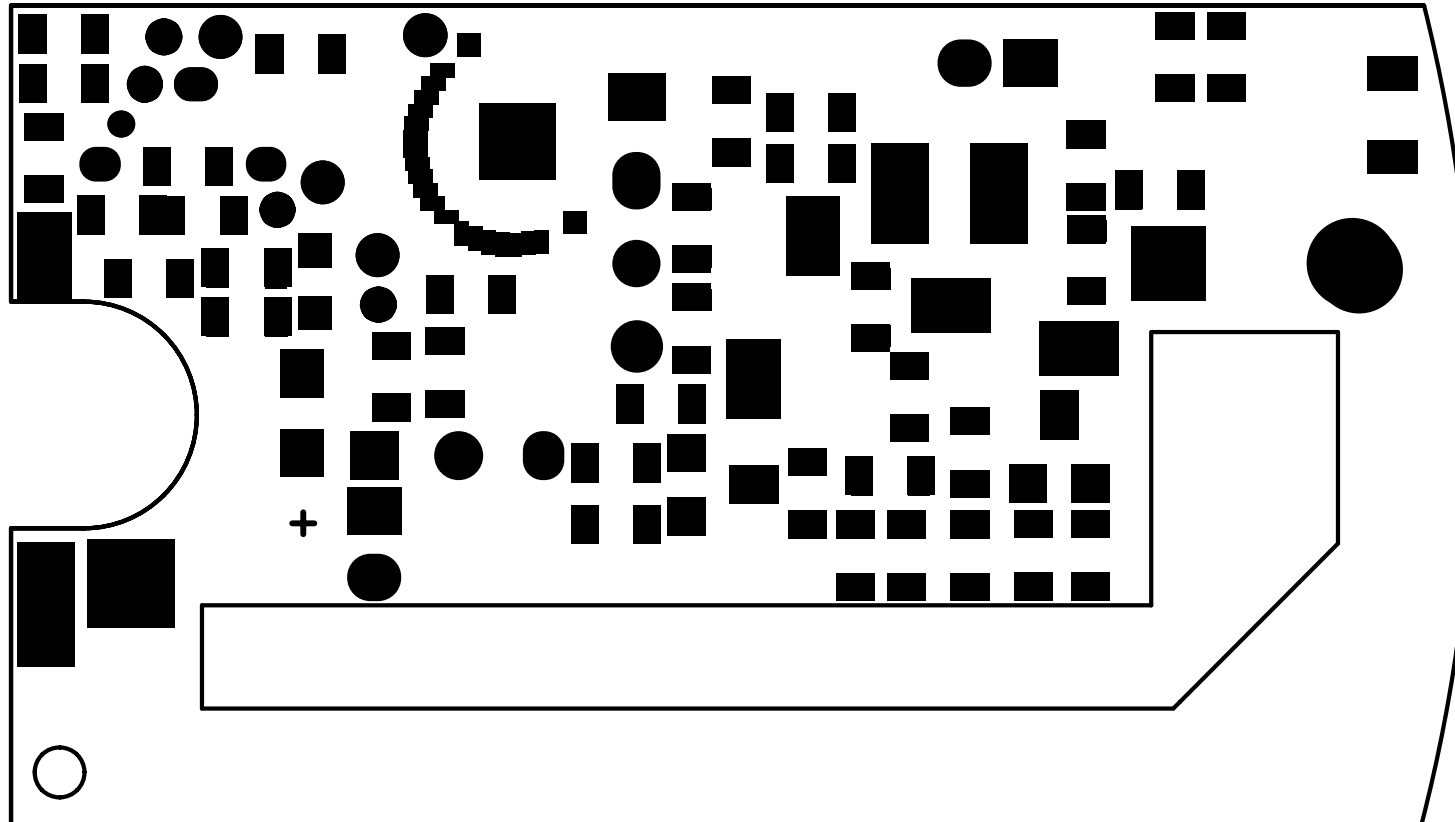
DESCRIPTION:

ASK TRANSMITTER (WHP0035A1V01)

**FINE OFFSET ELECTRONICS
CO.,LTD**

PCB LAYOUT

NOTE:



PCB TYPE	
COMP	
MASK	√
TRACE	
HOLE	
COMPONENT SIDE	
REVISION	C
ENGINEER	wpm
MANAGER	
DATE	8-06-17
PAGE 7 OF 10 PAGES	

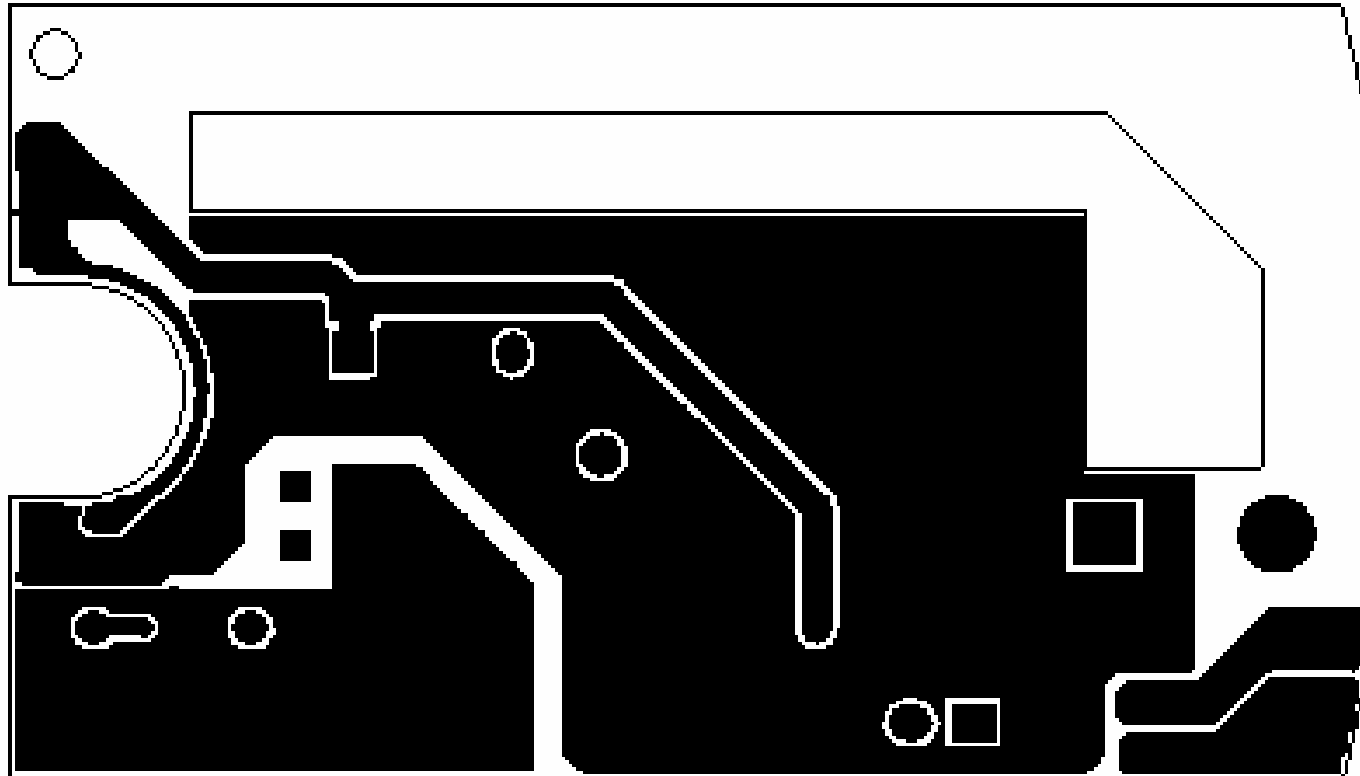
MODEL NO.:
WH5

DESCRIPTION:
ASK TRANSMITTER(WHP0035A1V01)

**FINE OFFSET ELECTRONICS
CO.,LTD**

PCB LAYOUT

NOTE:



PCB TYPE	
COMP	√
MASK	
TRACE	√
HOLE	
COMPONENT SIDE	
REVISION	C
ENGINEER	wpm
MANAGER	
DATE	8-06-17
PAGE 8 OF 10 PAGES	

MODEL NO.:

WH5

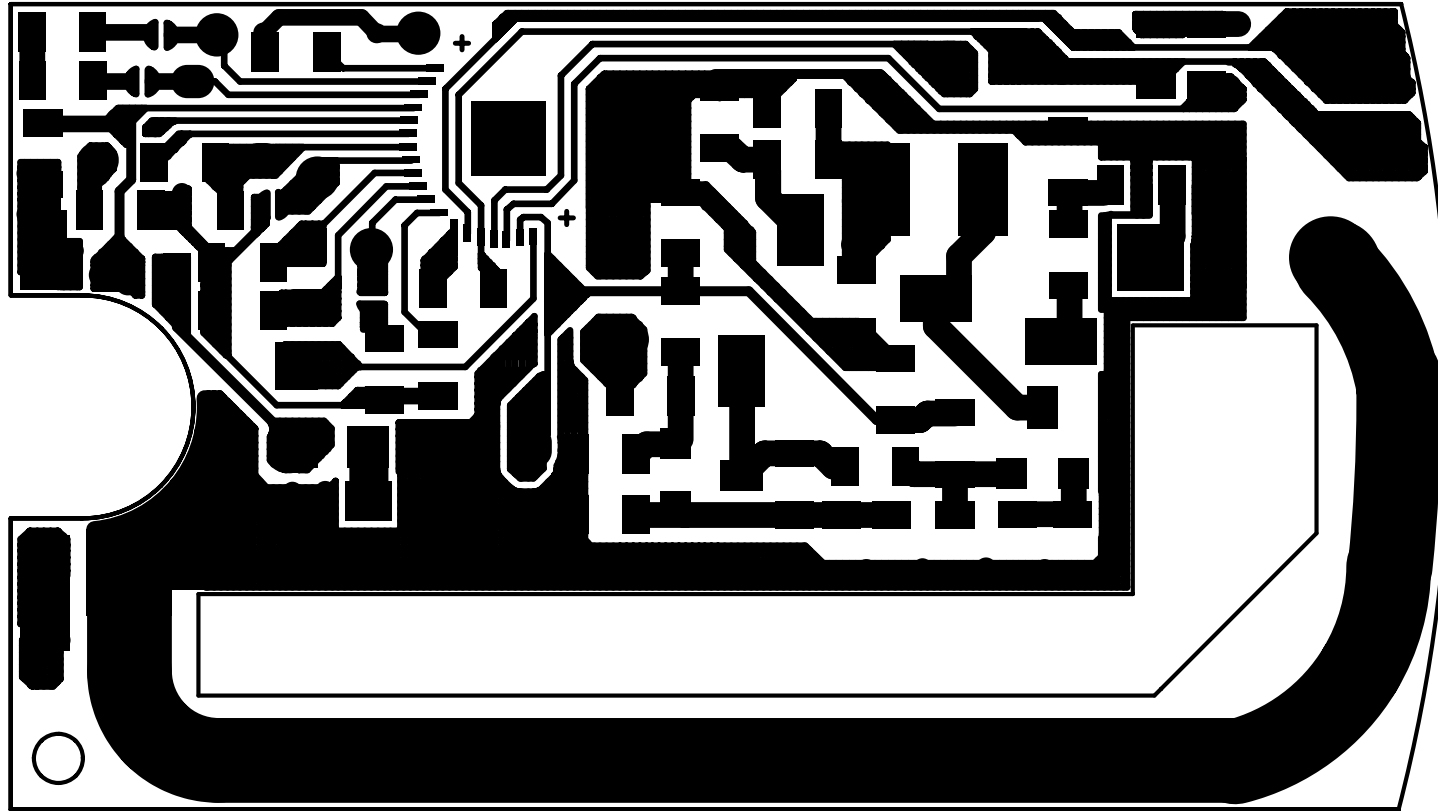
DESCRIPTION:

ASK TRANSMITTER (WHP0035A1V01)

FINE OFFSET ELECTRONICS
CO.,LTD

PCB LAYOUT

NOTE:



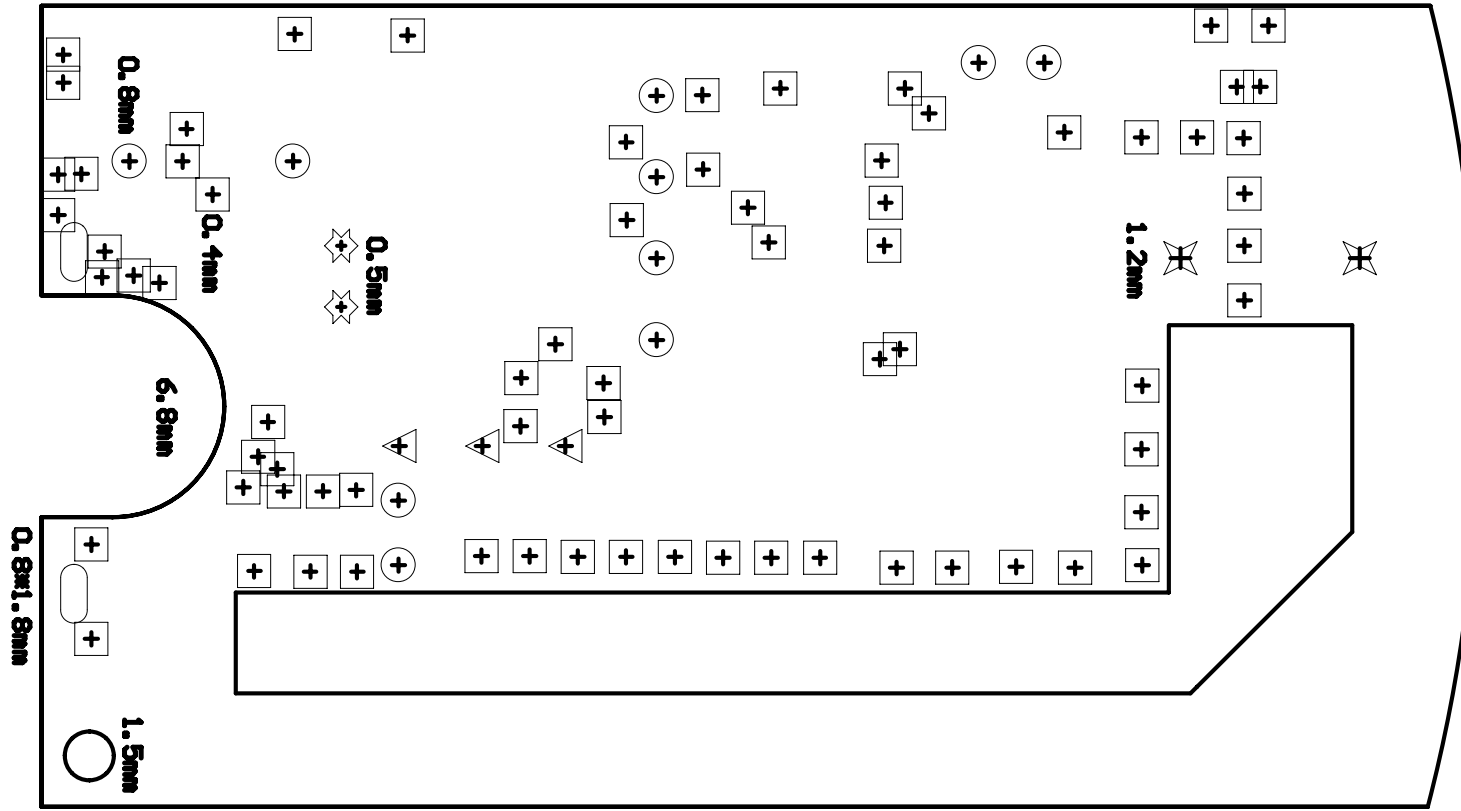
PCB TYPE	
COMP	
MASK	
TRACE	√
HOLE	
COMPONENT SIDE	√
REVISION	C
ENGINEER	wpm
MANAGER	
DATE	8-06-17
PAGE 9 OF 10 PAGES	

MODEL NO.:
WH5
DESCRIPTION:
ASK TRANSMITTER(WHP0035A1V01)

**FINE OFFSET ELECTRONICS
CO.,LTD**

PCB LAYOUT

NOTE:



PCB TYPE

COMP

MASK

TRACE

HOLE

✓

COMPONENT

SIDE

REVISION

C

ENGINEER

wpm

MANAGER

DATE

8-06-17

PAGE 10 OF 10 PAGES

MODEL NO.:

WH5

DESCRIPTION:

ASK TRANSMITTER (WHP0035A1V01)