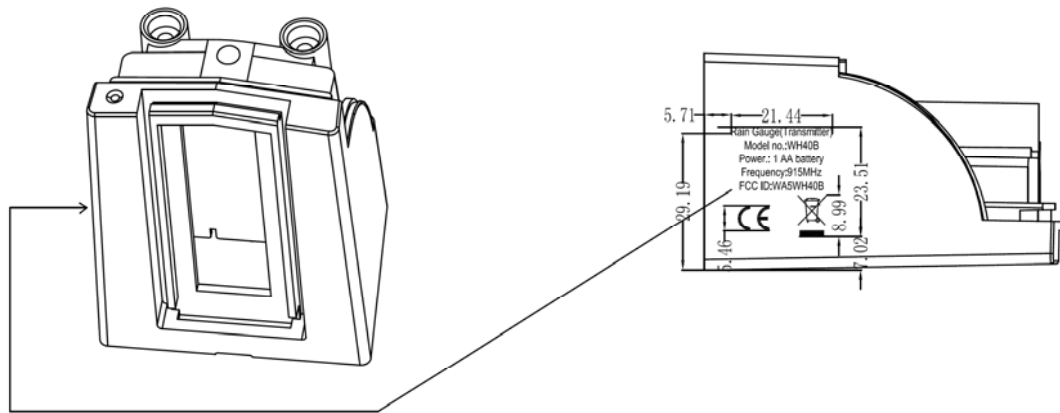
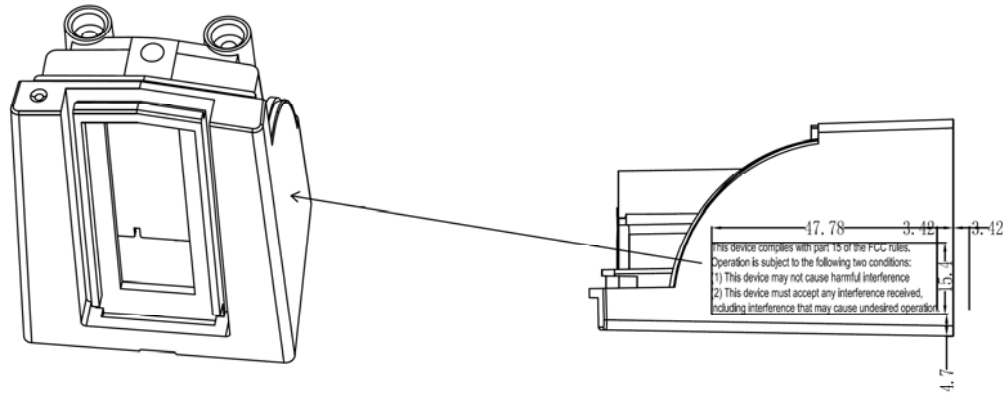
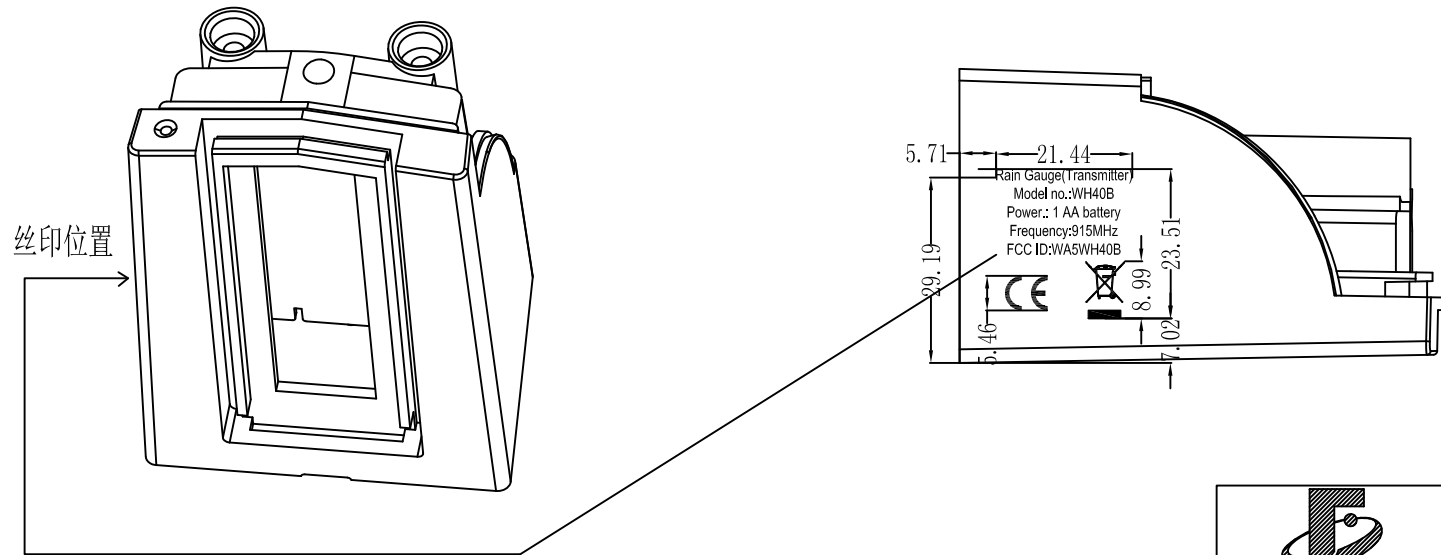
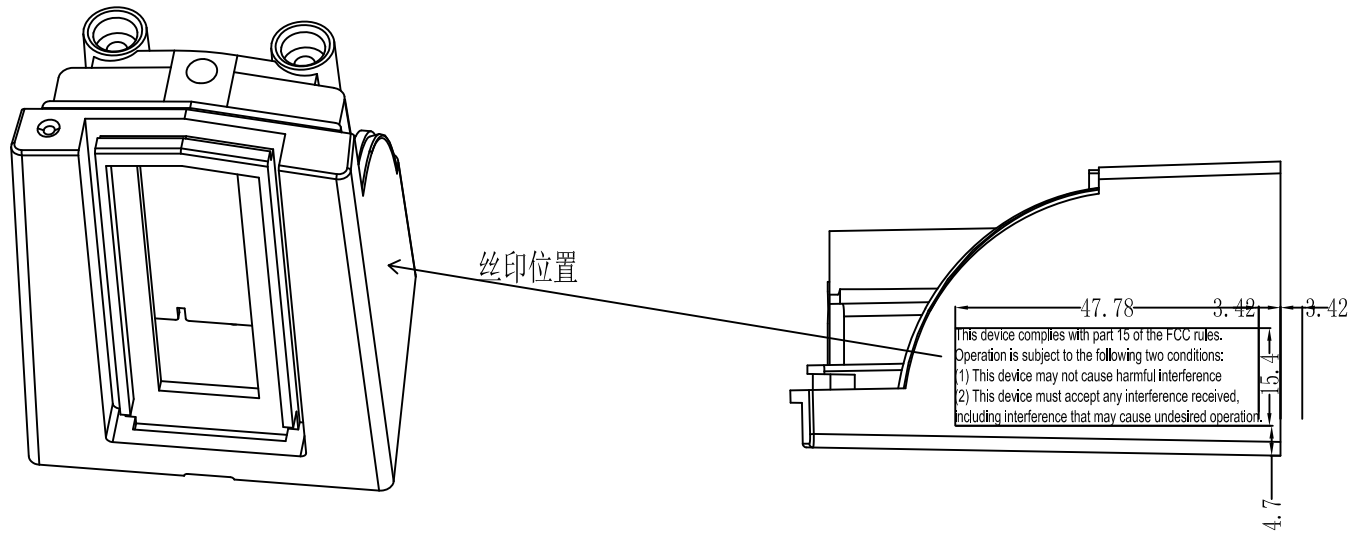


# Label and label location

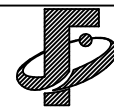


VER.	DESCRIPTION	ITEM	DATE



底座上盖白色，丝印冷灰8C  
 电池门白色，无丝印

产品名称: WH5360B-EC01



欧赛特电子有限公司  
 Fine Offset Electronics Co., Ltd.

Dimensions:	未标公差	Angular:	Projection:	Model:	Part-No:
Tolerance:	±0.2	±0.5°		WH5300	PLWH40B04003
APPROVALS:	NAME	DATE	Size: A4	Title:	WH40B底座上盖丝印图
DRAWING:	马泽娟	18-03-16	QTY: 1 PCS	Material: ABS	Unit: MM
CHECK:			VER: 01	Sheet:	1 OF 1 Scale: 1:1
APPROVE:					

图纸编号: WH5300-003