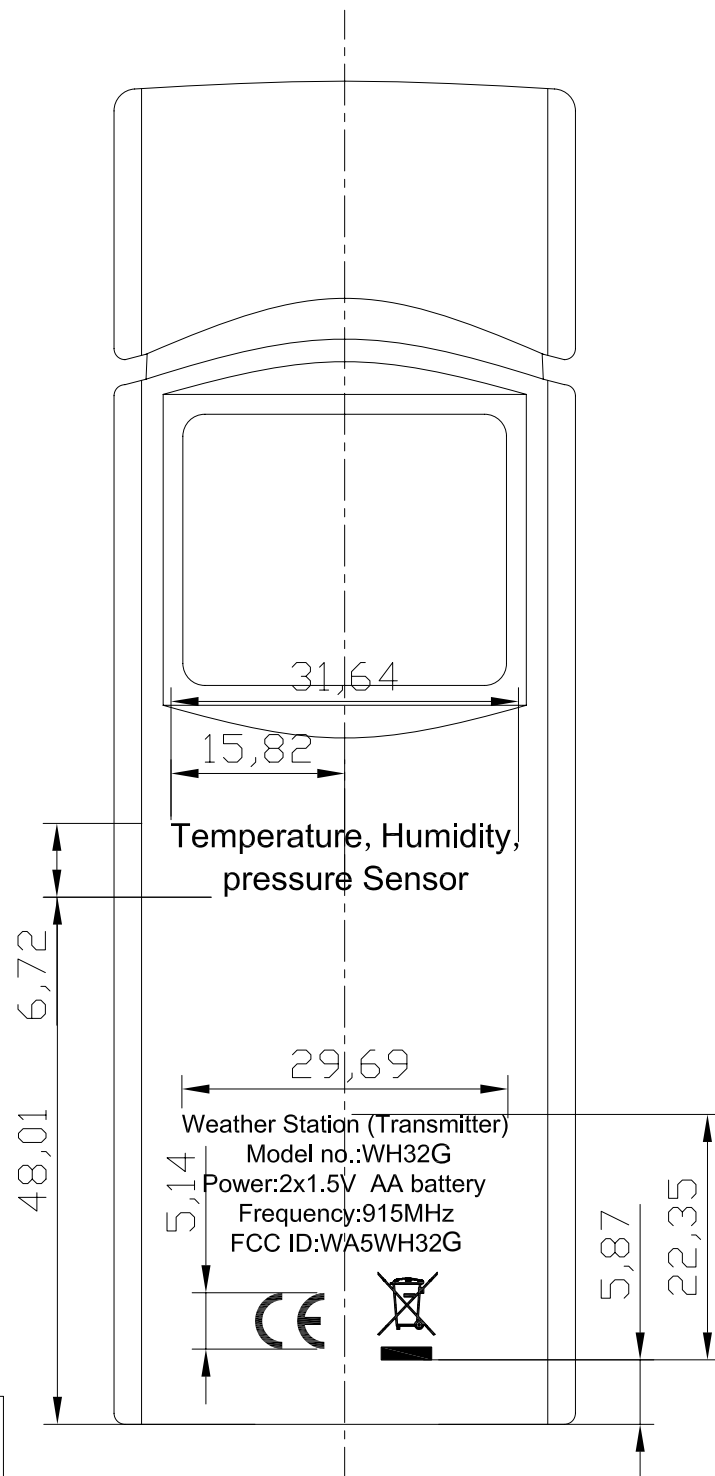
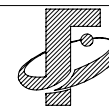


VER.	DESCRIPTION	ITEM	DATE



前壳颜色：白色
 丝印颜色：PANTON 8402C
 电池门白色，无丝印

产品名称：WH2622-AMB1



欧赛特电子有限公司
 Fine Offset Electronics Co., Ltd.

Dimensions:	未标公差	Angular	Projection:	Model:	Part-No:
Tolerance:	± 0.2	± 0.5°		WH30	PLWH32B04003
APPROVALS	NAME	DATE	Size: A4	Title: WH32B前壳丝印图	
DRAWING:	马泽娟	2016-06-07	QTY: 1 PCS	Material: ABS	Unit: MM
CHECK:			VER: 01	Sheet: 1 OF 1	Scale: 1:1
APPROVE:					

图纸编号:WH30-001