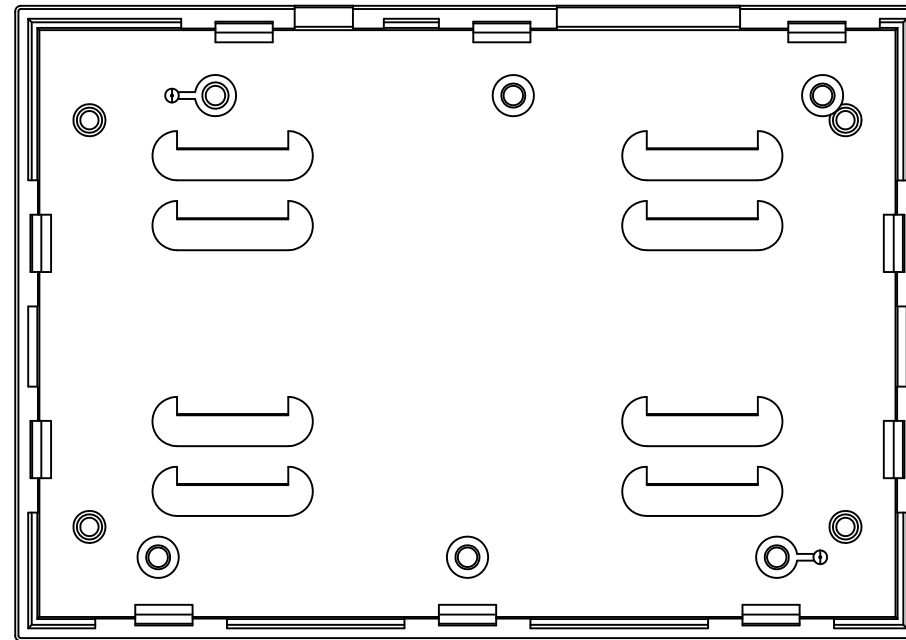
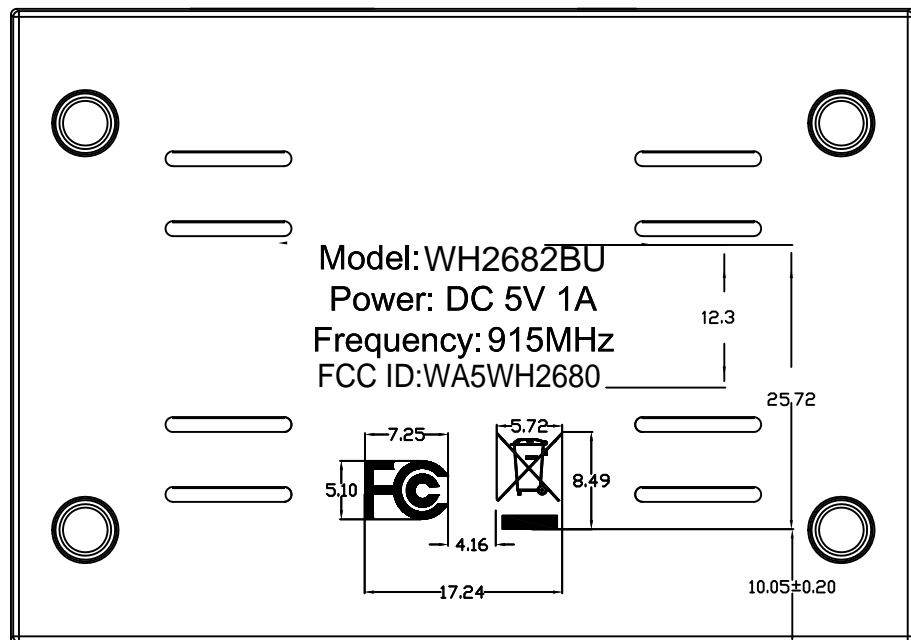


请注意丝印方向



Model: WH2682BU
 Power: DC 5V 1A
 Frequency: 915MHz
 FCC ID: WA5WH2680

产品名称: WH2682BU-AMB1

		欧赛特电子有限公司 Fine Offset Electronics Co., Ltd.		Model:		Part-No:		
				WH2682BU		PLWH2682BU04002		
APPROVALS	NAME	DATE	Projection: 	Title: WH2682BU下盖丝印				
DRAWING:	马泽娟	2021-07-30		Material:		Unit: MM	QTY:	
CHECK:				Paper: A4		VER: 02	Sheet: 1 OF 1	Scale: 1:1
APPROVE:								