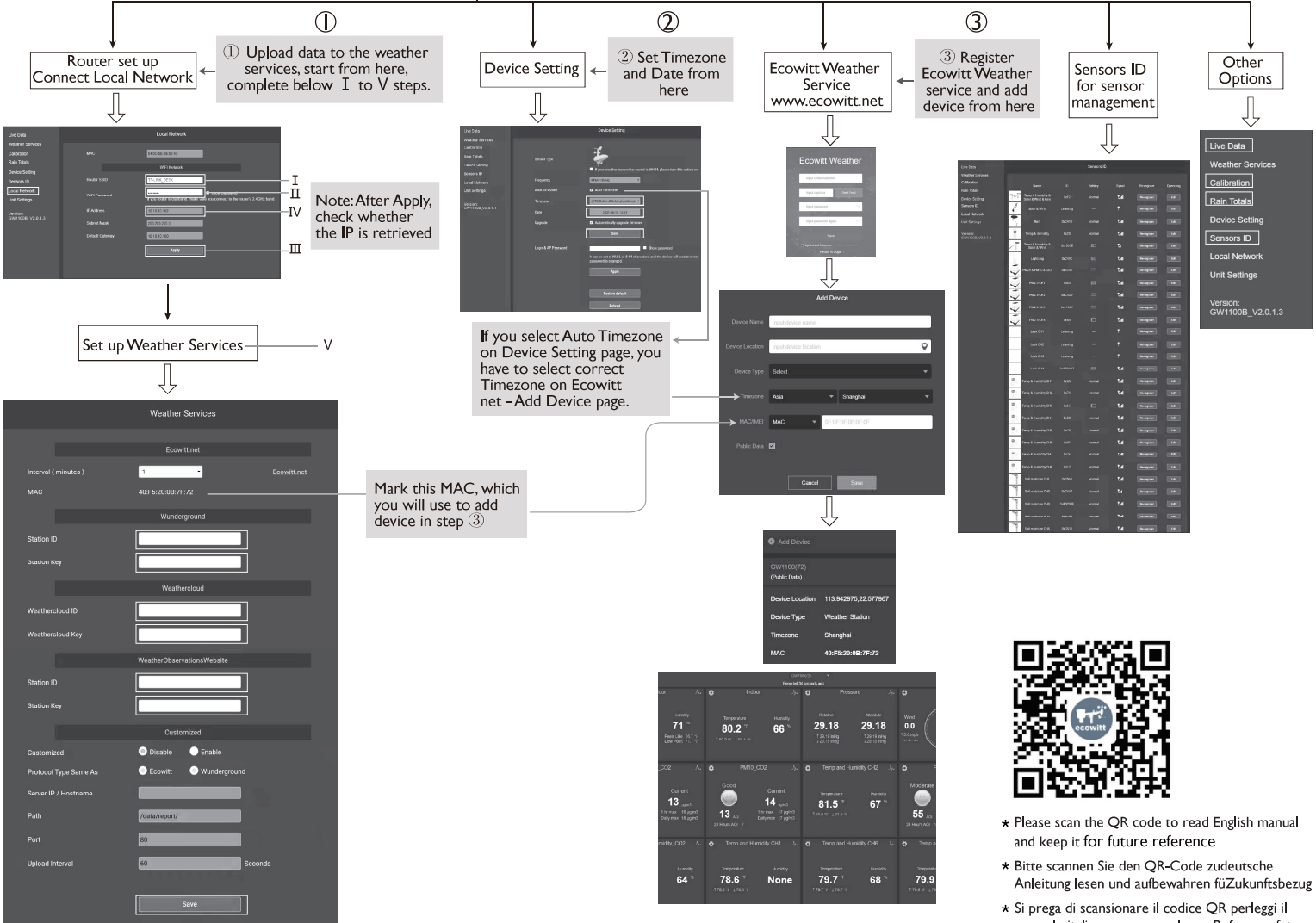
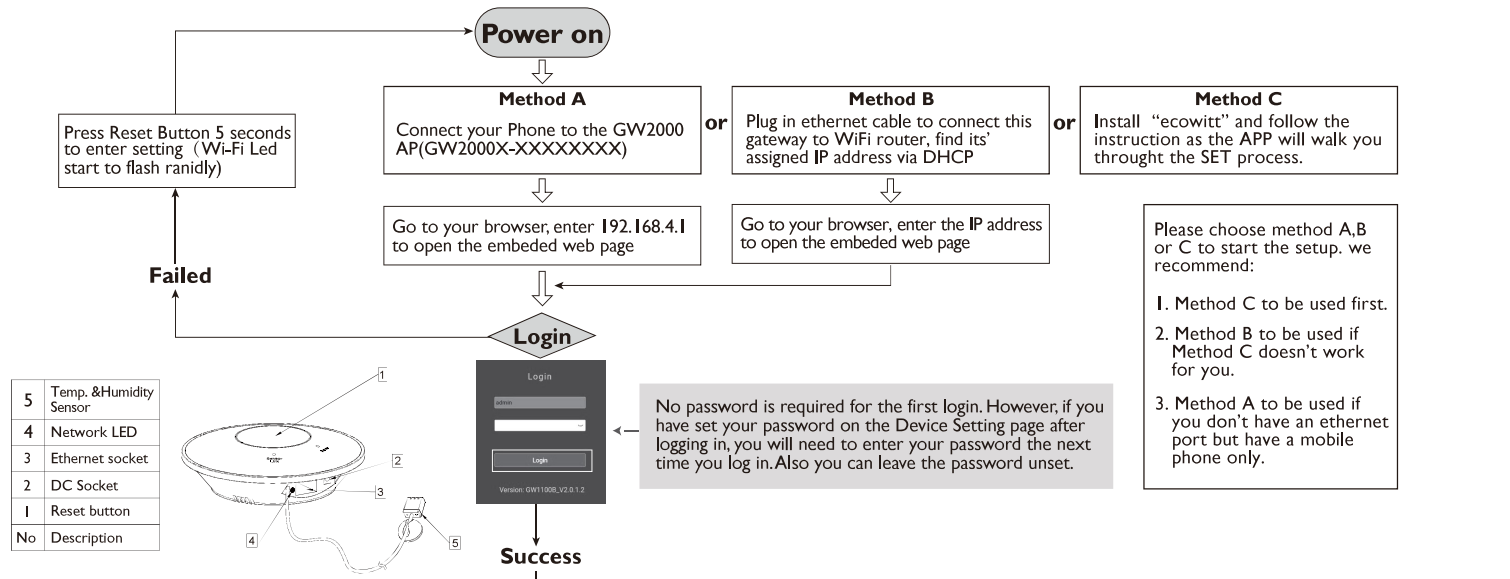


GW2000 Quick Start Guide



- * Please scan the QR code to read English manual and keep it for future reference
- * Bitte scannen Sie den QR-Code zudeutsche Anleitung lesen und aufbewahren fürZukunftsbezug
- * Si prega di scansionare il codice QR perleggi il manuale italiano e conservarlo perReferenza futura

Attention:
Our product is continuously changing and improving, particularly online services and associated applications. To download the latest manual and additional help, please contact us at support@ecowitt.com or support.eu@ecowitt.net (EU/UK).

Manufacturer:
ShenZhenShi OuSaiTeDianZi YouXianGongSi
Add: C Dong 4 Ceng A, Minzhujijugongyecheng AQU, Xihuanlu, Shajingjiedao, Baoanqu Shenzhen, Guangdong 518101, CN
E-mail: support@ecowitt.com support.eu@ecowitt.net (EU/UK)

UK representative
UK AR HUA TENG LIMITED
3 Glass Street, Hanking, Stoke On Trent, ST1 2ET United Kingdom

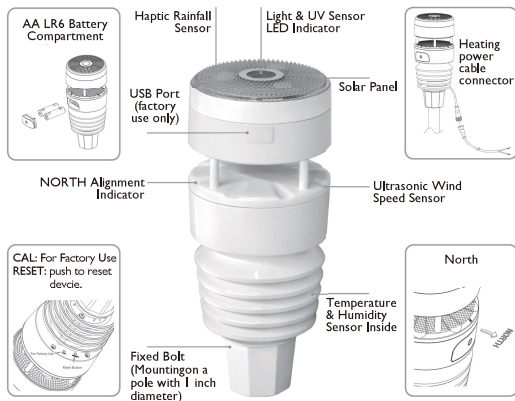
EC representative
EC REP AC WORKS CONSULTING srl
Via Vireddo Pareto 125,47521 Casena(FC) ITALY

Instruction manuals
<https://www.ecowitt.com/support/download/178>



WS90 7-in-1 Weather Station

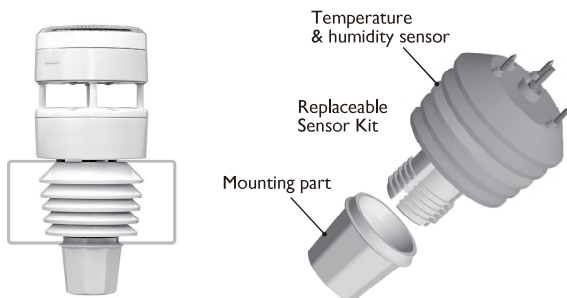
I. Compact and Built to last



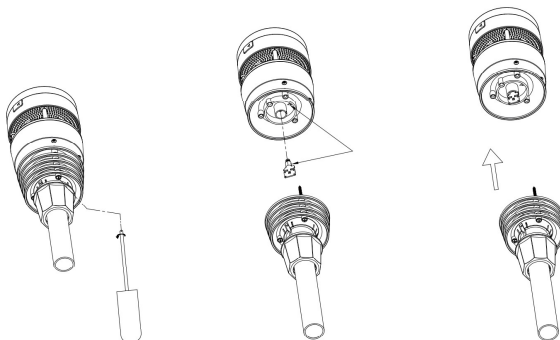
2. Feature

All-in-One Weather Station Temperature, humidity, wind direction and speed, light and UV levels		Near - Zero maintenance All-in-one weather station with no moving parts	
Dual-Power Supply Solar Power Autonomy & Backup Battery	Haptic Rainfall Sensor More accuracy with Anti-vibration design	Get Live data instantly View live data on EcoWitt app or at EcoWitt.net	Get alert emails on your own defined alert condition, mails can be triggered to notify you the alert
Supports a bundle of sensors Those already developed sensors or to be developed future sensors are all supported.	Light, compact yet robust: IPX5 install it outdoors and let it do its weather station magic	Easy integration to 3rd party With its unique data exchange protocol, it can be integrated easily with 3 rd party systems.	Easy integration to 3rd party Data can be picked up & received through Hub GW2000 in 150m range

3. Replaceable Temperature & Humidity Sensor



While compact, the entire structure of WittBoy is built to be robust and designed to withstand the test of time. The Temperature and Humidity Sensor Kit can be replaced whenever required.



1. Use screwdriver to untight the screws of the sensor.

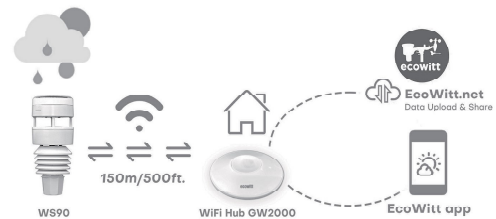
2. unplug the old sensor

3. Replace the old Temp & Humidity sensor with new one

4. Paired with Wi-Fi Hub GW2000



Your private weather station will pick up data of temperature, humidity, wind direction and speed, light and UV levels, as well as rainfall, and report it to you through its APP or the ecowitt.net website.



We Support



or your own defined server



Alert Email

Alert email sent upon customer defined alert condition.

View History Data on

Ecowitt APP/EcoWitt.net website

5. Specification

Measurement specification

Measurement	Range	Accuracy	Resolution
Wind speed	0~40m/s	<10m/s, +/-0.5m/s ≥10m/s, +/-5%	0.1M/S
Wind direction	0~359°	<4m/s, TBA ≥10m/s, ±10°	1°
Temperature	-40~60°C	±0.5°C	0.1°C
Humidity	1~99%	±5%	1%
Light	0~300klux	±15%	10klux
UVI	1~15	±2	1
Rain	0~9999	±10%	0.1mm

Power consumption

Anemometer sensor (main)	Anemometer sensor (backup)
Solar panel (built-in) 6.5V/4mA(integrated)	2 x AA 1.5V battery (not included, recommended to use Lithium none rechargeable batteries)

FCC WARNING

This device complies with part 15 of the FCC Rules. Operation is subject to the following two conditions: (1) this device may not cause harmful interference, and (2) this device must accept any interference received, including interference that may cause undesired operation.

Any changes or modifications not expressly approved by the party responsible for compliance

could void the user's authority to operate the equipment.

NOTE: This equipment has been tested and found to comply with the limits for a Class B digital device, pursuant to Part 15 of the FCC Rules. These limits are designed to provide reasonable protection against harmful interference in a residential installation. This equipment generates, uses and can radiate radio frequency energy and, if not installed and used in accordance with the instructions, may cause harmful interference to radio communications. However, there is no guarantee that interference will not occur in a particular installation.

If this equipment does cause harmful interference to radio or television reception, which can be determined by turning the equipment off and on, the user is encouraged to try to correct the interference by one or more of the following measures:

- Reorient or relocate the receiving antenna.
- Increase the separation between the equipment and receiver.
- Connect the equipment into an outlet on a circuit different from that to which the receiver is connected.
- Consult the dealer or an experienced radio/TV technician for help.

To maintain compliance with FCC's RF Exposure guidelines, This equipment should be installed and operated with minimum distance between 20cm the radiator your body: Use only the supplied antenna.