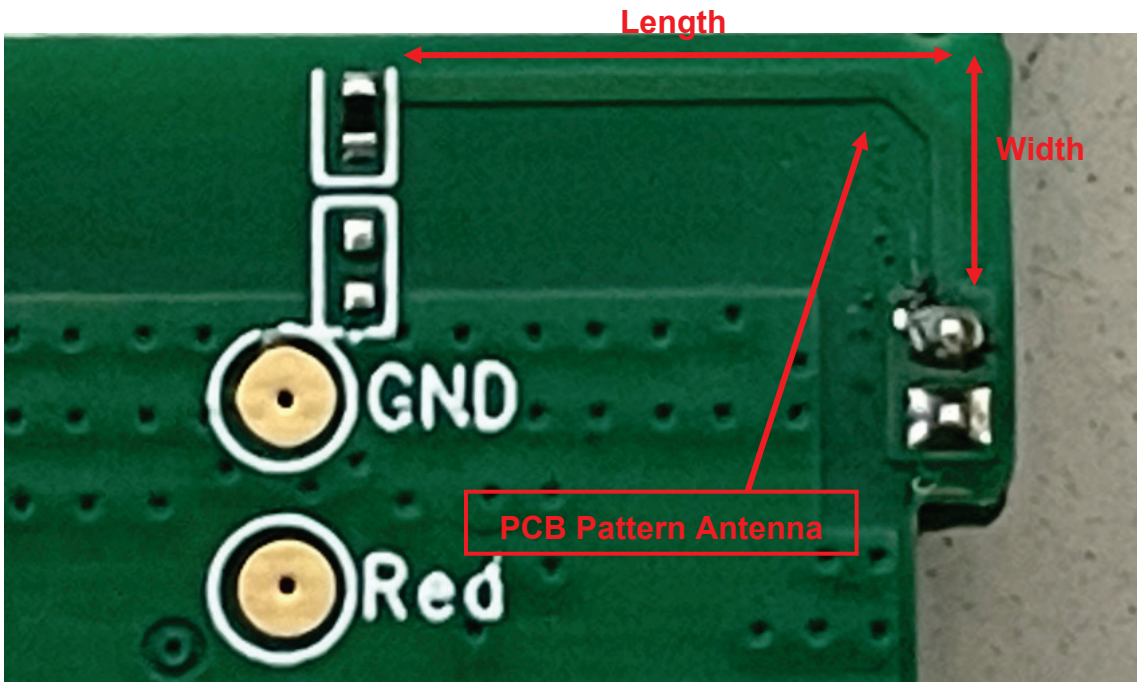


Antenna Information

Item	Contents
Antenna Type	PCB Pattern Antenna
Antenna peak gain	-0.06 dBi
Manufacturer / Model name	Victory Giant Technology / -
Address of manufacturer	Xingcheng Science and Technology Park, Danshui Street, Huiyang District, Huizhou City, Guangdong Province
Test Laboratory	RADINA. Co., LTD
Antenna Length	0.8 cm
Antenna Width	0.3 cm



Model name: ST4505T

APPROVAL SHEET

MODEL : ST4505T
Antenna layout


Review	Consent	Approval



RadiNa Co. ,Ltd

TEL:+82-2-463-0373 FAX:+82-2-463-0374

Table of contents

	PRODUCT APPROVAL SHEET					
	MODEL NAME	ST4505T	REV.		Page	2 / 10

1. Revision History

2. Product Information

2.1 General Features

2.2 Electrical Specifications

3. Pattern Specifications

4. Electrical Characteristics

4.1 VSWR

4.2 Smith Chart

4.3 2D-GAIN

5. Passive Measurement

6. Measurement Process

1. Revision History

RADINA. Co., LTD / CONFIDENTIAL

This Document contains confidential and proprietary information, cannot discourse to third party without the prior written Authorization.



PRODUCT APPROVAL SHEET

MODEL NAME


ST4505T

REV.

Page

3 / 10

NO.	Before		After	Reason	Date
1					
2					
3					
4					
5					
6					
7					
8					
9					
10					
11					
12					
13					

	PRODUCT APPROVAL SHEET				
	MODEL NAME	ST4505T	REV.		Page 4 / 10

2. Product Information

2.1 General Features


PART NUMBER	GradiAnt Antenna
ANTENNA TYPE	PCB Pattern Antenna
APPLICATIONS	Bluetooth

2.2 Electrical Specifications

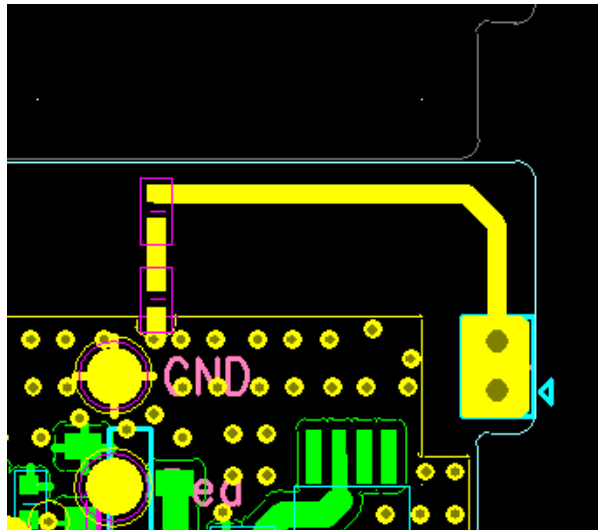
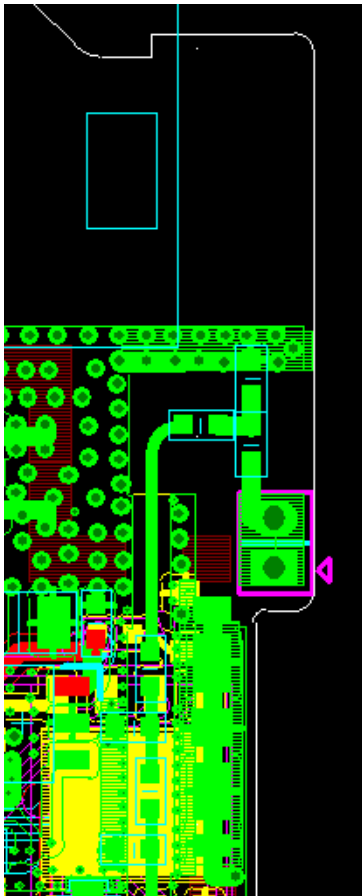
Frequency Range1 (TX)		2400MHz~2498MHz	
Frequency Range1 (RX)		2400MHz~2498MHz	
IMPEDANCE		50 Ω	
V.S.W.R	TX	2400MHz	2498MHz
		5 ↓	5 ↓
	RX	2400MHz	2498MHz
		5 ↓	5 ↓
RADIATION PATTERN		Omni-directional	
POLARIZATION		Linear	

RADINA. Co., LTD / CONFIDENTIAL

This Document contains confidential and proprietary information, cannot discourse to third party without the prior written Authorization.

	PRODUCT APPROVAL SHEET				
	MODEL NAME	ST4505T	REV.		Page 5 / 10

3. Pattern Specifications





PRODUCT APPROVAL SHEET

MODEL NAME

ST4505T

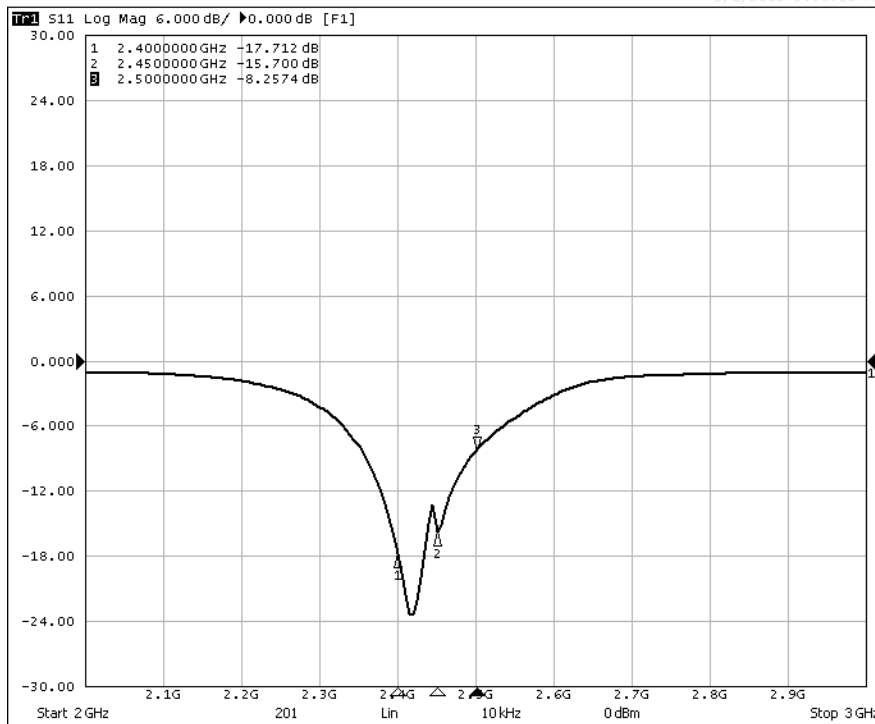
REV.

Page

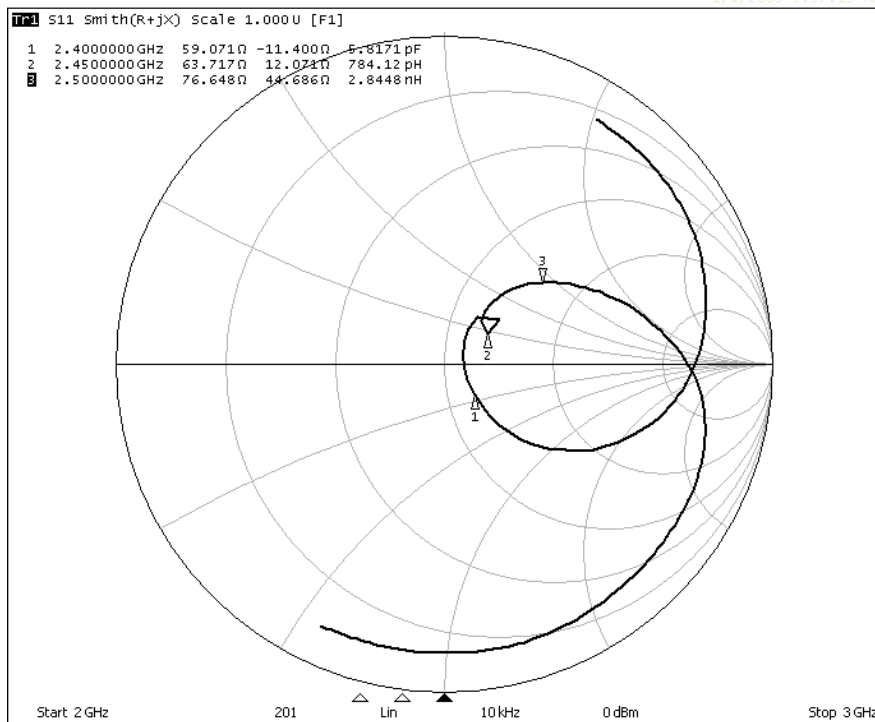
6 / 10

4. Electrical Characteristics

5.1 VSWR



5.2 SMITH CHART



RADINA. Co., LTD / CONFIDENTIAL

This Document contains confidential and proprietary information, cannot discourse to third party without the prior written Authorization.



PRODUCT APPROVAL SHEET

MODEL NAME

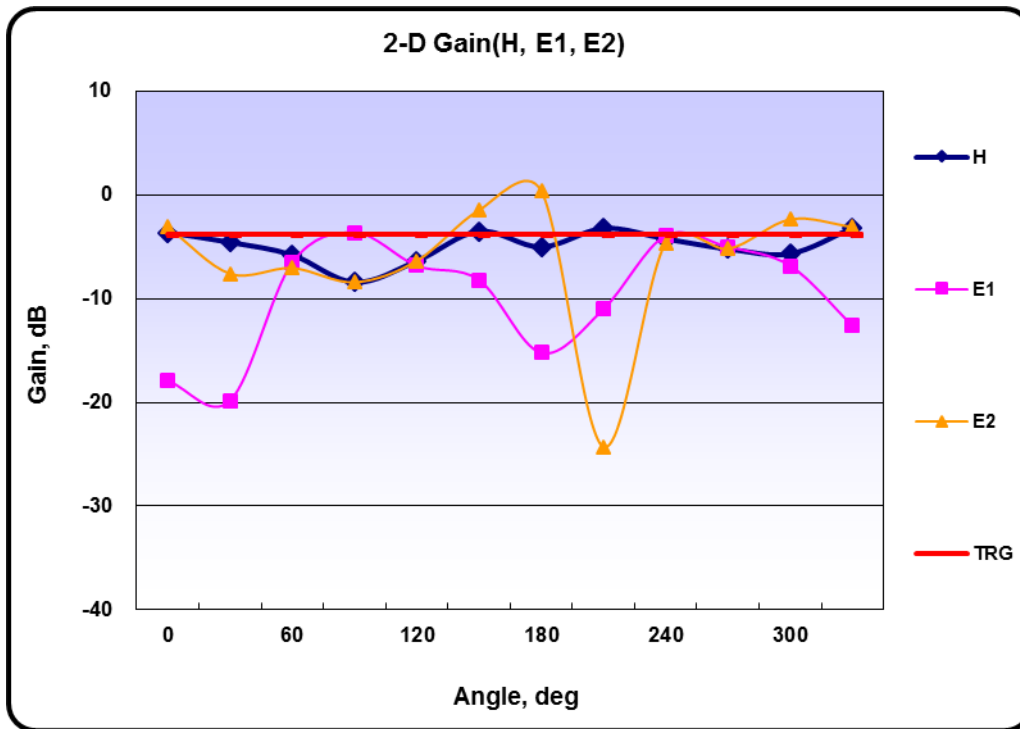
ST4505T

REV.

Page

7 / 10

5.3 2D-GAIN



5. Passive Measurement

	1	2	3	4	5	6	7	8	9	10
Frequency(MHz)	2400	2405	2410	2415	2420	2425	2430	2435	2440	2445
Efficiency(dB)	-4.25	-4.17	-4.05	-3.89	-3.95	-3.96	-3.84	-3.82	-3.95	-4.52
Efficiency(%)	37.58	38.28	39.31	40.82	40.23	40.21	41.34	41.45	40.29	35.31
TRG(dB)	-4.25	-4.17	-4.05	-3.89	-3.95	-3.96	-3.84	-3.82	-3.95	-4.52
TRG _{Theta} (dB)	-6.31	-6.27	-6.04	-5.88	-5.98	-6.00	-5.72	-5.61	-5.57	-6.44
TRG _{Phi} (dB)	-8.48	-8.34	-8.41	-8.24	-8.24	-8.22	-8.37	-8.54	-9.01	-9.00
UHRG(dB)	-7.40	-7.29	-7.19	-6.95	-7.03	-7.02	-6.92	-6.99	-7.11	-7.23
UHRG/TRG(%)	48.43	48.76	48.53	49.40	49.26	49.45	49.11	48.21	48.22	53.64
H-Plane	-5.06	-4.98	-4.88	-4.68	-4.80	-4.97	-4.68	-4.58	-4.44	-5.39
E1-Plane, AVG(dB)	-7.33	-7.54	-7.22	-7.28	-7.56	-7.66	-7.51	-7.56	-7.48	-8.69
E2-Plane, AVG(dB)	-5.04	-4.92	-4.57	-4.32	-4.29	-4.31	-4.03	-3.62	-3.90	-4.17
Peak Gain(dB)	-0.66	-0.68	-0.42	-0.64	-0.52	-0.34	-0.23	-0.37	-0.64	-0.96
Directivity(dB)	3.59	3.49	3.64	3.25	3.44	3.61	3.60	3.45	3.30	3.56
Minimum Gain(dB)	-10.52	-9.68	-8.77	-9.15	-8.96	-8.20	-8.35	-8.09	-8.46	-9.39

RADINA. Co., LTD / CONFIDENTIAL

This Document contains confidential and proprietary information, cannot discourse to third party without the prior written Authorization.



PRODUCT APPROVAL SHEET

MODEL NAME

ST4505T

REV.

Page

8 / 10

	11	12	13	14	15	16	17	18	19	20
Frequency(MHz)	2450	2455	2460	2465	2470	2475	2480	2485	2490	2497
Efficiency(dB)	-4.46	-4.15	-4.09	-4.22	-4.33	-4.26	-4.40	-4.72	-4.70	-4.92
Efficiency(%)	35.80	38.46	38.98	37.84	36.86	37.48	36.27	33.73	33.85	32.20
TRG(dB)	-4.46	-4.15	-4.09	-4.22	-4.33	-4.26	-4.40	-4.72	-4.70	-4.92
TRG_{Theta}(dB)	-7.08	-6.53	-6.52	-6.58	-6.61	-6.57	-6.72	-7.04	-7.09	-7.30
TRG_{Phi}(dB)	-7.90	-7.89	-7.78	-8.00	-8.23	-8.11	-8.24	-8.55	-8.44	-8.66
UHRG(dB)	-7.05	-6.87	-6.93	-7.09	-7.28	-7.16	-7.40	-7.76	-7.76	-8.06
UHRG/TRG(%)	55.09	53.49	52.04	51.67	50.76	51.25	50.14	49.68	49.48	48.55
H-Plane	-7.12	-6.59	-6.55	-6.53	-6.56	-6.76	-6.94	-7.35	-7.74	-8.38
E1-Plane, AVG(dB)	-9.59	-8.83	-8.70	-9.08	-8.98	-9.21	-9.14	-9.52	-9.84	-10.01
E2-Plane, AVG(dB)	-3.92	-3.58	-3.49	-3.63	-3.61	-3.33	-3.63	-3.67	-3.57	-3.78
Peak Gain(dB)	-0.38	-0.06	-0.08	-0.31	-0.36	-0.48	-0.24	-0.44	-0.62	-0.26
Directivity(dB)	4.09	4.09	4.01	3.91	3.97	3.78	4.16	4.28	4.09	4.66
Minimum Gain(dB)	-11.80	-12.46	-12.42	-12.35	-12.01	-12.49	-13.19	-13.51	-14.77	-14.08


Average Efficiency

-4.22dB

37.82%


RADINA. Co., LTD / CONFIDENTIAL

This Document contains confidential and proprietary information, cannot discourse to third party without the prior written Authorization.

	PRODUCT APPROVAL SHEET					
	MODEL NAME	ST4505T	REV.		Page	9 / 10

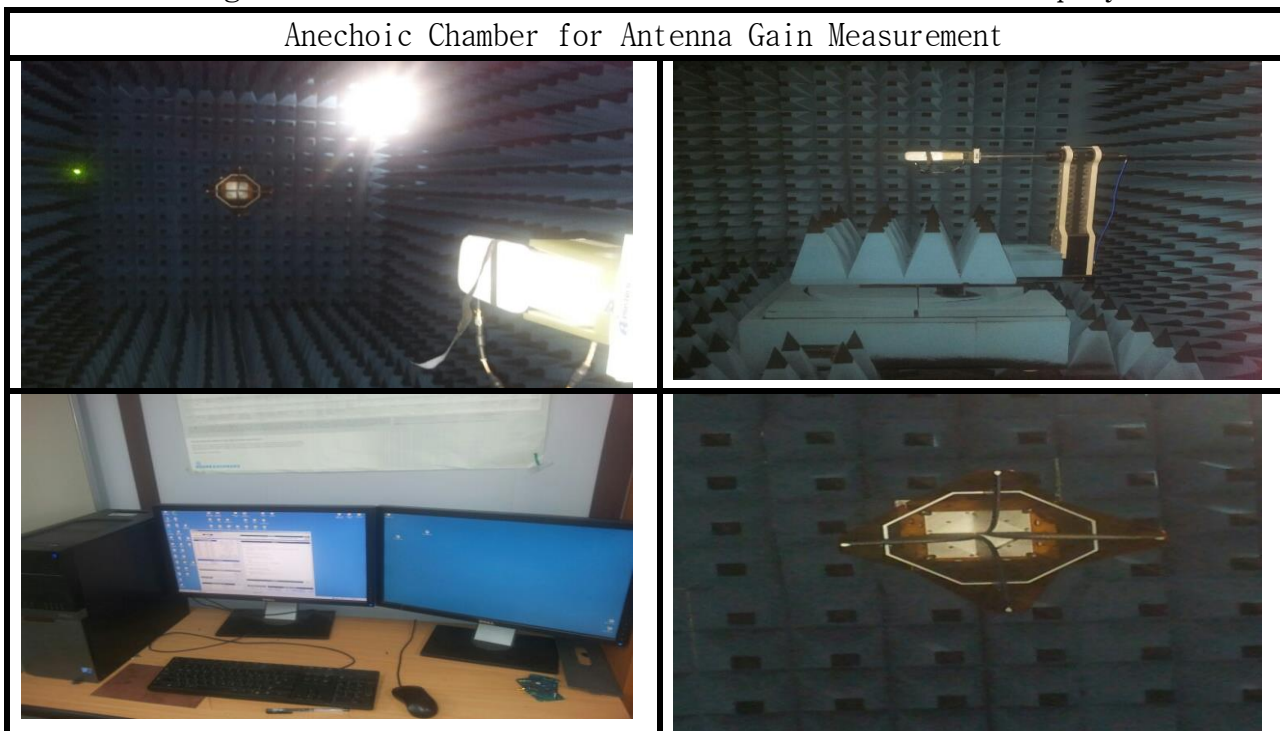
6. Measurement Process

6.1 SWR / Return loss

	Set Condition
Network Analyzer	Agilent 8753ES
Cable	Semi-rigid (40mm, 60mm)
Test condition	

6.2 Gain

Antenna gain is measured in the anechoic chamber of this company.



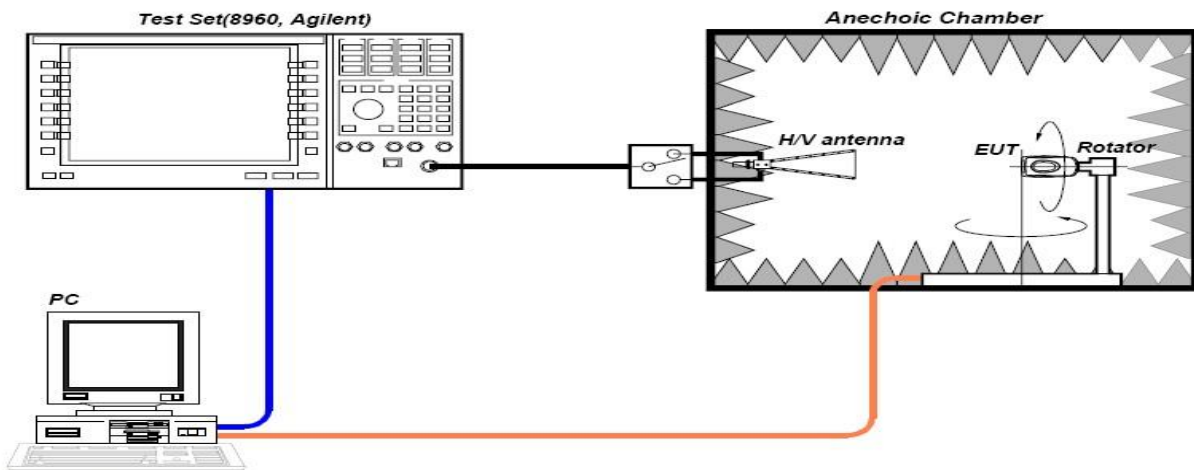
RADINA. Co., LTD / CONFIDENTIAL

This Document contains confidential and proprietary information, cannot discourse to third party without the prior written Authorization.

6.3 Gain test block diagram

Active test System

- TRP, NHPRP, UHRP
- TIS, NHPIS, UHIS
- Relative Sensitivity



Passiver test System

- Efficiency
- Peak Gain, Avg, Gain
- Min, Max PWR

