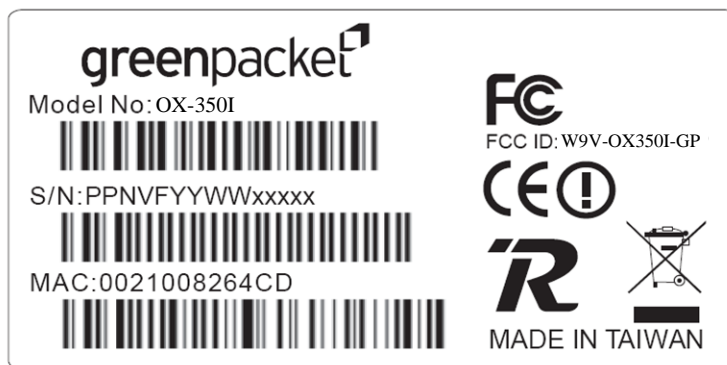
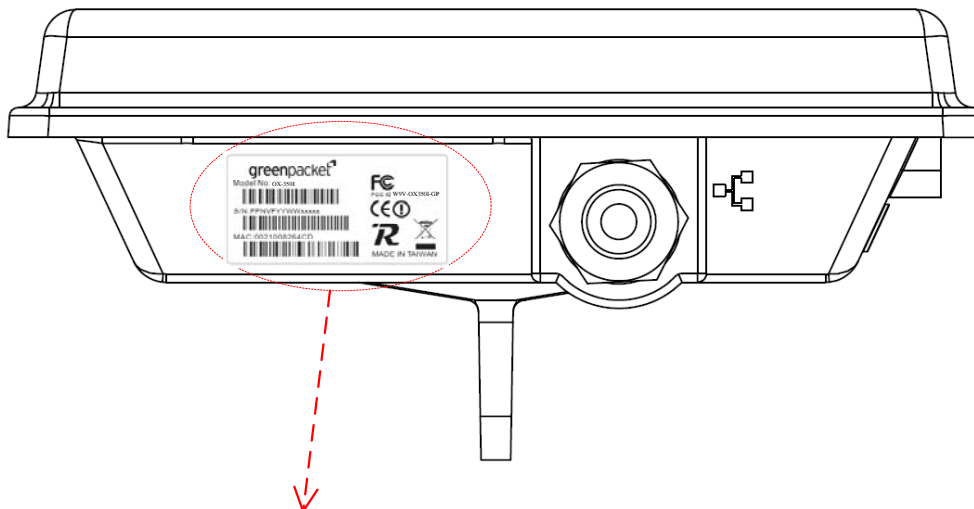



MTI Group Proprietary Information
 Any unauthorized use, duplication, reproduction, or disclosure of
 this document may be considered as infringement of MTI Group's
 intellectual property rights. The infringer may be accused and liable
 for applicable legal penalties.

OX-350I Series Label Drawing

Rev.A03
 Date: 21-Sep.-2011

Frequency Range : FCC 3650~3700MHz, CE 3300~3800MHz



 MTI Group			
CODE	DWG TITLE		
	WIMAX 3.5GHz Outdoor CPE Label Drawing		
SIZE	DWG NO.	OX-350I Label Drawing	REV
A3			A03
SCALE	1:1	SHEET	1 OF 1