

UE Unrestricted Protocol testing with BS(eNB)

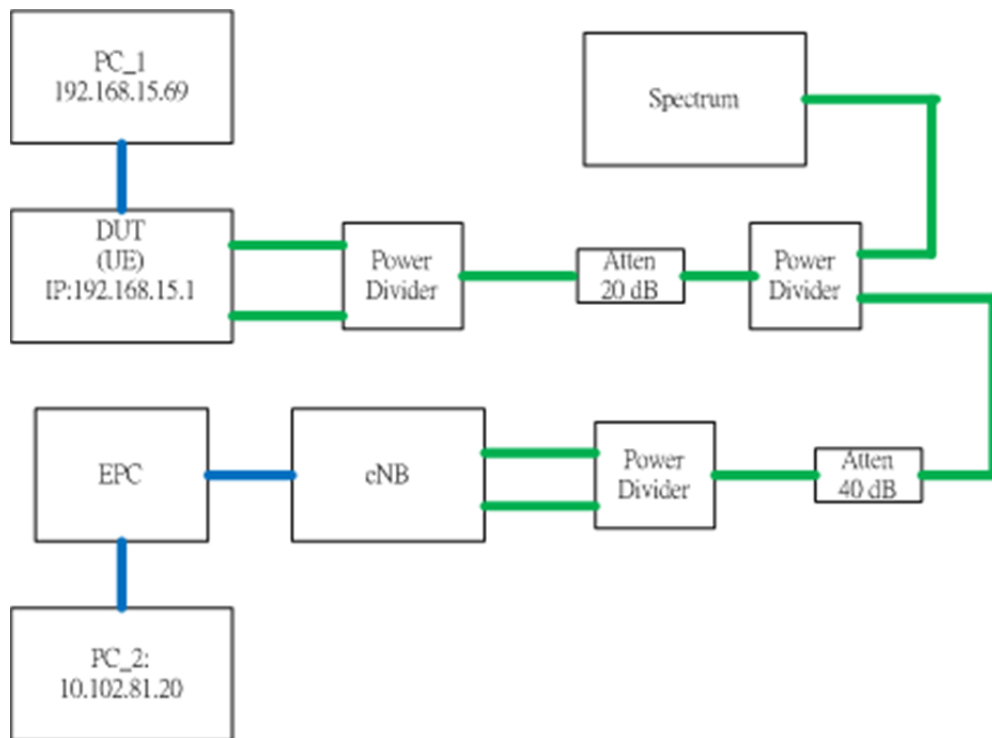
MODEL NAME OH-335
OEM GreenPacket
TEST LOCATION No.15-1 Zhonghua Road, Hsinchu
Industrial Park, Hukou, Hsinchu, Taiwan

Date	Report Revision	Description
2017/01/09	1.0	First Revision

Contents

1. Test Lab Setup & Environment -----	2
2. Detail Test Setup -----	2
3. Test result -----	3
3.1 BS DL slot spectrum information-----	3
3.2 BS + UE UL/DL slot spectrum information -----	4
3.3 Busy channel is confirmed, and raised alarm to operator. System is in listening mode-----	5
3.4 -----	
4. Test conclusion -----	6

1. Lab Test configuration & Environment



2. Detail Test Setup

1. Setup spectrum

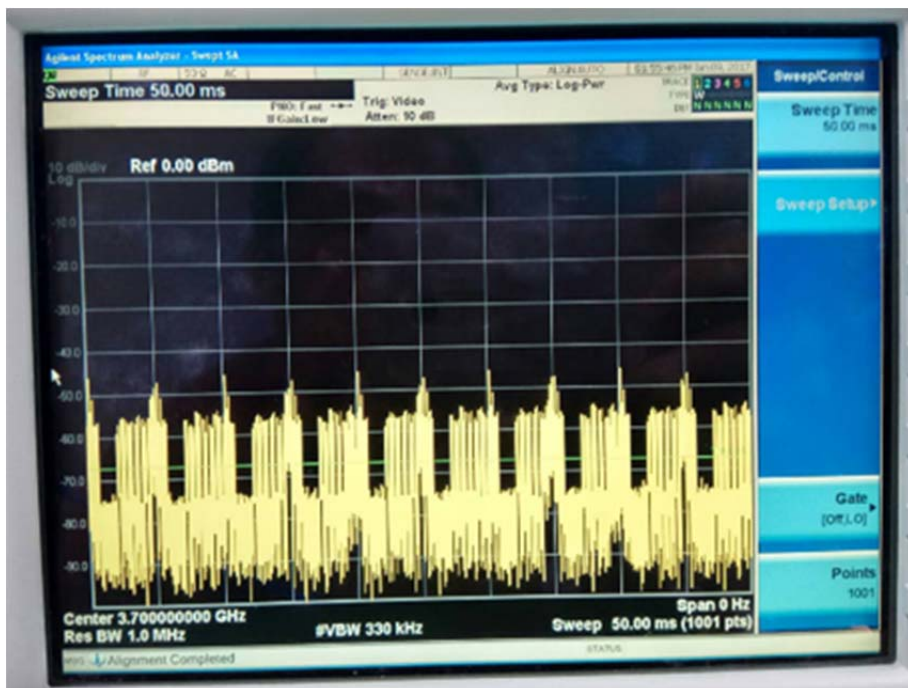
Zero span, Sweep time = 50 ms, Frequency = 3.7GHz, Video BW = 330kHz,
Res BW = 1MHz

2. BS(eNB) turn on
3. Measure BS(eNB) Signal at Spectrum
4. UE turn on
5. Check UE connected with BS(eNB)
6. Measure BS(eNB) and UE Signal at Spectrum
7. Use Ping 10.102.81.20 -I 65500 at PC 1

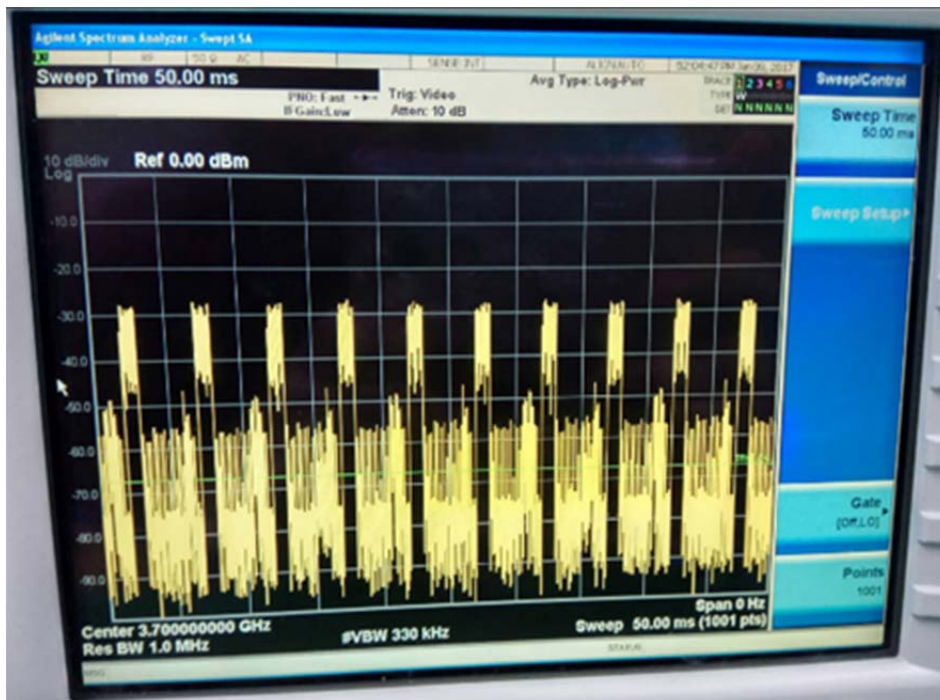
8. Measure BS(eNB) and UE Signal at Spectrum
9. Set eNB received noisy channel (co-channel use) alarm, and stop transmitting & schedule UE uplink data
10. Measure eNB and UE Signal at Spectrum

3. Testing Result

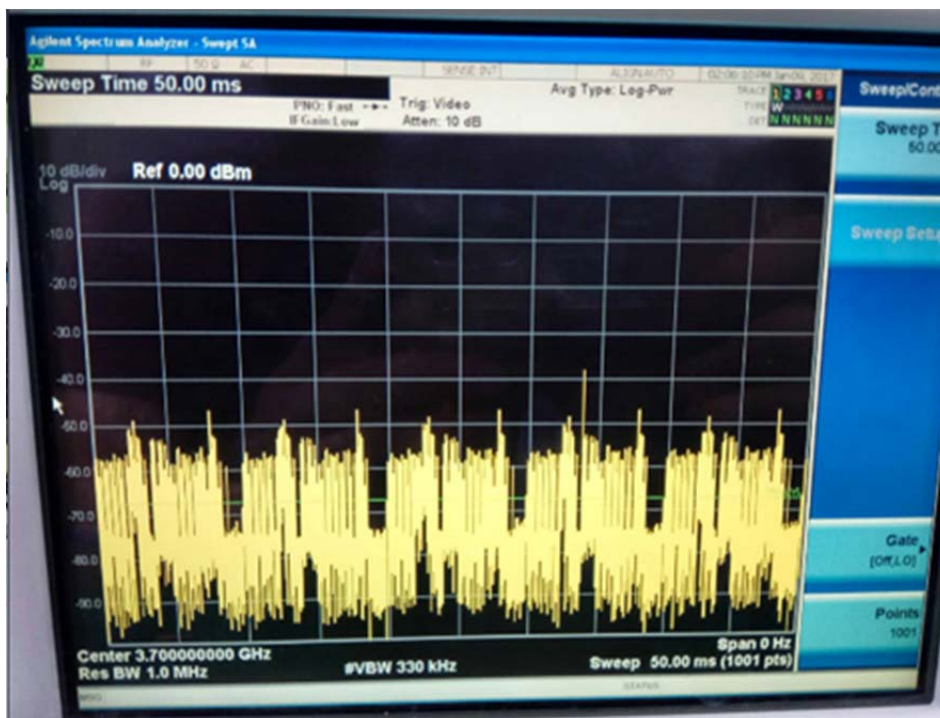
3.1 BS(eNB) DL slot spectrum information



3.2 BS(eNB)+ UE UL/DL slot spectrum information

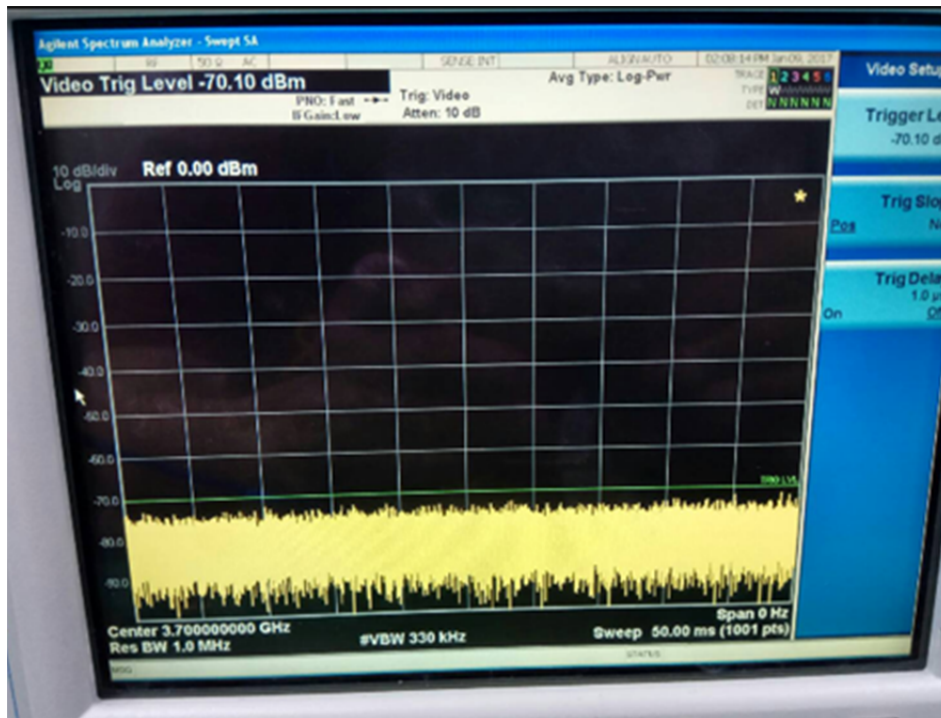


Heavy Traffic (BS+CPE)



Light Traffic (BS+CPE)

3.3 Busy channel is confirmed, and raised alarm to operator. System is in listening mode



4. Testing Result

With this test setup, the Remote Station(CPE) and the system stop transmitting on both side after Alarm condition is active on BS.