

**Hisense**<sup>®</sup>

- Innovation for Life -

HOSPITALITY LCD TELEVISION

MODEL NO.:  
LTDN26W60HS

# USER'S MANUAL

---

Before using the TV, Please read this manual thoroughly, and retain it for future reference.

English

## Important to user

---

▶ FCC Statement

**NOTE:**

**The manufacturer is not responsible for any radio or TV interference caused by unauthorized modifications to this equipment. Such modifications could void the user's authority.**



NOTE:



This equipment has been tested and found to comply with the limits for a class B digital Device, pursuant to part 15 of the FCC Rules. These limits are designed to provide reasonable protection against harmful interference in a residential installation. This equipment generates, uses and can radiate radio frequency energy and, if not installed and used in accordance with the instructions, may cause harmful interference to radio Communications. However, there is no guarantee that interference will not occur in a particular installation. If this equipment does cause harmful interference to radio or television reception, which can be determined by turning the equipment off and on, the user is encouraged to try to correct the interference by one or more of the following measures:

- 1.Reorient or relocate the receiving antenna.
- 2.Increase the separation between the equipment and the receiver.
- 3.Connect the equipment into an outlet on a circuit different from that to which the receiver is connected.
- 4.Consult the dealer or an experienced radio/TV technician for help.

# Important safety precautions

## Safeguards

	The lightning flash with arrowhead symbol, within an equilateral triangle, is intended to alert the user to the presence of un-insulated "dangerous voltage" within the product's enclosure that may be of sufficient magnitude to constitute a risk of electric to persons.
	The exclamation point within an equilateral triangle is intended to alert the user to the presence of important operating and maintenance (servicing) instructions in the literature accompanying the appliance.

	<b>CAUTION</b> RISK OF ELECTRIC SHOCK DO NOT OPEN!	
TO REDUCE THE RISK OF AN ELECTRIC SHOCK, DO NOT REMOVE THE COVER (OR BACK). THERE ARE NO USER SERVICEABLE PARTS INSIDE. FOR ANY REQUIRED SERVICING, PLEASE CONTACT QUALIFIED SERVICE PERSONNEL.		

### Important safety instructions

**CAUTION:**

USE OF ANY CONTROLS, ADJUSTMENTS, OR PROCEDURES OTHER THAN THOSE SPECIFIED HEREIN MAY RESULT IN HAZARDOUS RADIATION EXPOSURE.

**CAUTION:**

These servicing instructions are for use by qualified service personnel only. To reduce the risk of electric shock, do not perform any servicing other than that contained in the operating instructions unless you are qualified to do so. Refer to service manual for servicing instructions.

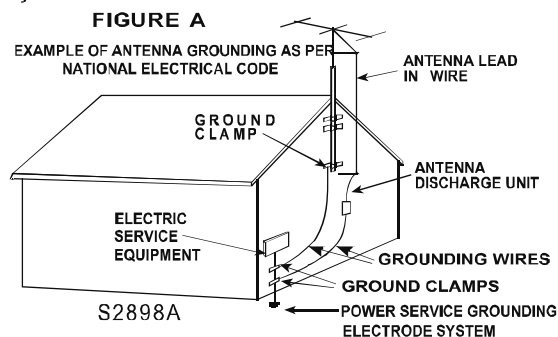
### Important safety instructions

1. Read these instructions
2. Keep these instructions
3. Heed all warnings
4. Follow all instructions
5. Do not use this apparatus near water
6. Clean only with dry cloth
7. Do not block any ventilation openings
8. Do not install near any heat sources
9. Do not defeat the safety purpose of the polarized or grounding-type plug. A polarized plug has two blades with one wider than the other. A grounding type plug has two blades and a third grounding prong. The wide blade or the third prong are provided for your safety. If the provided plug does not fit into your outlet, consult an electrician for replacement of the obsolete outlet.
10. Protect the power cord from being damaged particularly at plugs, convenience receptacles, and at points in which they exit from the apparatus.
11. Only use attachments/accessories specified by the manufacturer.
12. Use only with cart, stand, tripod, bracket, or table specified by the manufacturer or sold with the apparatus. When a cart is used, use caution when moving the cart/apparatus combination to avoid injury from tip-over.
13. Unplug this apparatus during lightning storms or when unused for long periods of time.

## Important safety precautions

### Safeguards

14. Refer all servicing to qualified service personnel. Servicing is required when the apparatus has been damaged in any way, such as when the power-supply cord or plug is damaged, when liquid has been spilled or when objects have fallen into the apparatus, or when the apparatus has been exposed to rain or moisture, does not operate normally, or has been dropped.
15. **POWER SOURCE:** This TV should be operated only from the type of power source indicated on the marking label. If you are not sure of the type of power supply to your home, consult your appliance dealer or local power company. For TVs intended to operate from battery power, or other sources, refer to the operating instructions.
16. **POWER CORD PROTECTION:** Power-supply cords should be routed so that they are not likely to be walked on or pinched by items placed upon or against them, paying particular attention to cords at plugs, convenience receptacles, and the point where they exit from the appliance.
17. **OUTDOOR ANTENNA GROUNDING :** If an outside antenna or cable system is connected to the TV, be sure the antenna or cable system is grounded to provide some protection against voltage surges and built-up static charges. Section 810 of the National Electrical Code, ANSI/NFPA NO.70, provides information with respect to proper grounding of the mast and supporting structure, grounding of the lead-in wire to an antenna discharge unit, size of grounding conductors, location of antenna discharge unit, connection to grounding electrodes, and requirements for the grounding electrode. (Fig.A)
18. **LIGHTNING:** For added protection for this TV receiver during a lightning storm, or when it is left unattended and unused for long periods of time, unplug it from the wall outlet and disconnect the antenna or cable system. This will prevent damage to the TV due to lightning and power line surges.
19. **POWER LINES:** An outside antenna system should not be located in the vicinity of overhead power lines, or other electric light or power circuits, or where it can fall into such power lines or circuits. When installing an outside antenna system, extreme care should be taken to keep from touching such power lines or circuits as contact with them might be fatal.
20. **OVERLOADING:** Do not overload wall outlets and extension cords as this can result in a risk of fire or electric shock.
21. **OUTDOOR USE:** Do not install this TV outdoor. If the TV is exposed to rain, it may result in a fire or an electric shock. If the TV is exposed to direct sunlight, the TV may heat up and cause damage to the TV.
22. **VEHICLE:** Do not install the TV in a vehicle. Bumping of the vehicle may cause the TV to fall down and cause injury.
23. **SHIP AND VESSEL:** Do not install this TV in a ship or vessel. If the TV is exposed to seawater, it may cause a fire or damage the TV.
24. **OBJECT AND LIQUID ENTRY:** Never push objects of any kind into this TV through openings as they may touch dangerous voltage points or short out parts that could result in fire or electric shock. Never spill liquid of any kind into the TV.
25. **SERVICING:** Do not attempt to service this TV yourself as opening or removing covers may expose you to dangerous voltage or other hazards. Refer all servicing to qualified service personnel.



# Important safety precautions

## Safeguards

26. **REPLACEMENT PARTS:** When replacement parts are required, be sure that the service technician uses replacement parts with the same characteristics as the original parts specified by the manufacturer. Unauthorized substitutions may result in fire, electric shock, injury to persons or other hazards.
27. **SAFETY CHECK:** Upon completion of any service or repairs to this TV, ask the service technician to perform routine safety checks to determine that the TV is in proper operating condition.
28. The apparatus should not be exposed to any dripping or splashing, and no objects filled with liquids (such as a vase) should be placed on the apparatus.
29. **WARNING:** Plug the power cord into a power outlet where access to the power cord connector is readily accessible, in case if the power needs to be immediately disconnected.
30. **ATTENTION:** This device complies with Part 15 of the FCC Rules. Operation is subject to the following two conditions: (1) this device may not cause harmful interference, and (2) this device must accept any interference received, including interference that may cause undesired operation.
  - a). **Disposal of packaging:** The packaging of this product is intended to be recycled. Apply to the local authorities for correct disposal.
  - b). **Disposal of batteries:** The batteries supplied do not contain the heavy metals mercury and cadmium. Please check on how to dispose exhausted batteries according to local regulations.
  - c). **Note Specifications and information are subject to change without notice. If you need further assistance, please call the customer support service in your country.**
31. For use only with UL Listed Wall Mount Bracket with minimum weight/load 9kg
32. The product failure, only professional maintenance staff maintenance, not for opening the back cover.

**MAINTENANCE** (Recommended for three months)  
Early malfunctions can be prevented. Careful and regular cleaning can extend the amount of time you can enjoy your new TV.  
Caution: Be sure to turn the power off and unplug the power cord before you begin any cleaning.
33. **CLEANING AND DISINFECTION**
34. Clean the exterior of this television by removing dust with a lint-free cloth. **CAUTION:** To avoid damage to the surface of the television, do not use abrasive or chemical cleaning agents. Spot test a new disinfectant by applying a test cleaning a non-obvious small spot on the TV's back cabinet, keypad. Allow the disinfectant to soak per its instructions and then wipe clean. Do not use the disinfectant if the TV's surfaces show any sign of discoloration or softening.
35. **Disinfection:** Disinfection usually involves ultraviolet light.
36. The apparatus can not be located near bed.
37. This equipment can only be used for wall mounting  
Clean the TV and frame with a soft, damp cloth. Never use substances such as alcohol, chemicals or household cleaners on the TV. Risk of damage to the TV screen! Never touch, push, rub or strike the screen with any object. To avoid deformations and color fading, wipe off water drops as soon as possible.  
"WARNING" To reduce the risk of fire or electric shock, do not expose this apparatus to rain or moisture. A warning that an apparatus with CLASS I construction shall be connected to a MAINS socket outlet with a protective earthing connection.  
an appliance coupler is used as the disconnect device, the disconnect device shall remain readily operable;  
**To obtain Warranty Service and Troubleshooting information:**  
**Call our Electronics Consumer Care Center at 1-888-935-8880**  
**or Email [CSR@hisense-USA.com](mailto:CSR@hisense-USA.com) in the United States and Canada.**

# Table of Contents

1.Important to user.....	1
2.Important safety precautions.....	2
Safeguards.....	2
3.Table of Contents.....	5
4.Setting Up.....	6
Wall mount specifications.....	6
TV Front.....	8
TV Rear.....	9
Connect to other devices.....	10
5.Using the Remote Control.....	13
Installing the remote control batteries.....	13
Remote control range.....	13
Learning about the Remote Control Panel.....	14
Quick starts.....	15
6.Changing the TV Settings.....	17
Using the Channel Menu.....	17
Using the Video Menu.....	18
Using the Audio Menu.....	19
Using the Setup menu.....	20
Using the Parental menu.....	21
7.Hotel Menu Description.....	23
8.Appendix.....	28
Trouble shooting.....	28
Specifications.....	29

### Wall mount specifications

Install your wall mount on a solid wall perpendicular to the floor. When attaching to other building materials, please contact your nearest dealer. If installed on a ceiling or slanted wall, it may fall and result in severe personal injury.

- Dimensions for wall mount kits and wall-mount screws pattern please refer specifications table.
- Do not use screws longer than the standard dimension, as they may cause damage to the inside of the TV set.
- For wall mounts that do not comply with the VESA standard screw specifications, the length of the screws may differ depending on their specifications.
- Do not use screws that do not comply with the VESA standard screw specifications.
- Do not fasten the screws too strongly, this may damage the product or cause the product to fall, leading to personal injury.
- Manufacturer is not liable for product damage or personal injury when a non-VESA or non-specified wall mount is used or the consumer fails to follow the product installation instructions.
- Do not exceed 15 degrees tilt when mounting this TV.

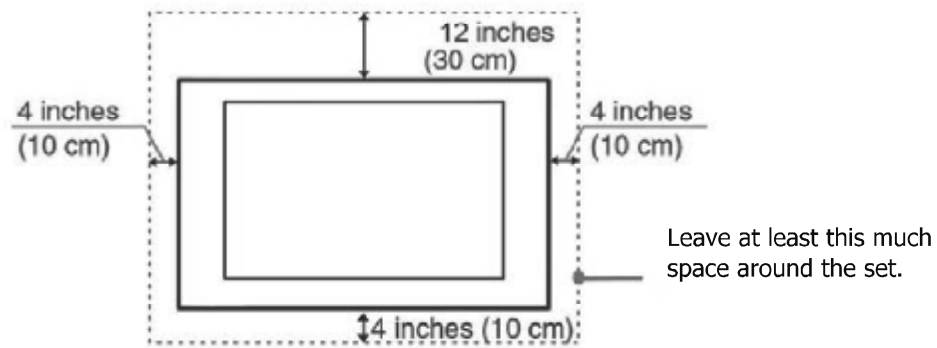
## Setting Up

Wall mount

### When Installing the TV Against a Wall or Enclosed Area

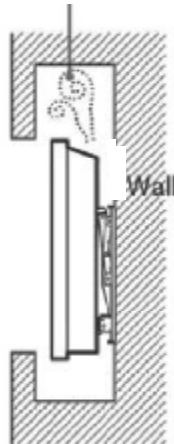
Make sure that your TV has adequate air circulation. Allow enough space around the TV as shown below. Avoid operating the TV at temperatures below Inadequate air 45° F (5 °C)

#### Installed on the wall



Never install the TV set as follows:

Air circulation is blocked.



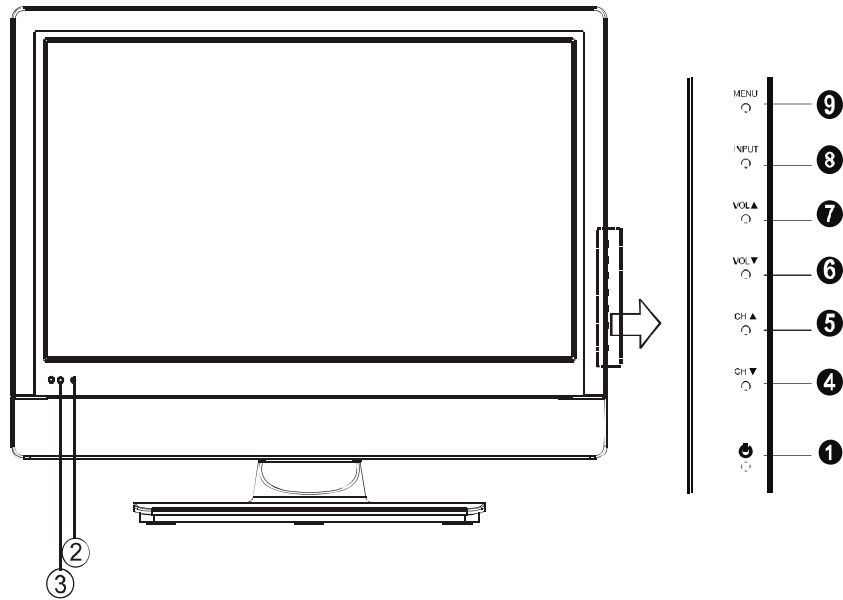
Inadequate air circulation can lead to overheating of the TV and may cause damage to your TV or cause a fire.



# Setting Up

## TV Front

### TV Front

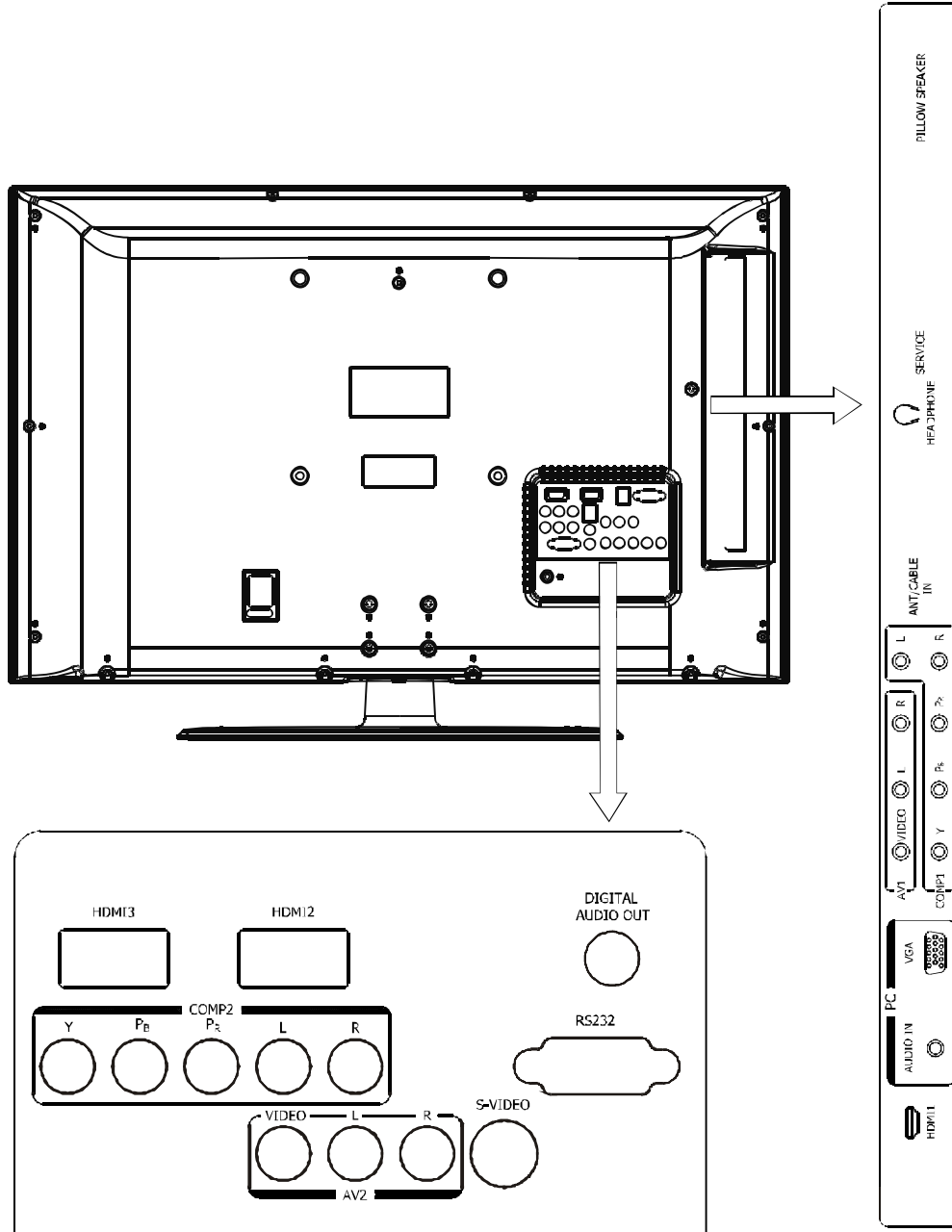


No.	Component	Component Description
1	Standby button	Press to turn on your TV. Press again to put your TV in standby mode.
2	POWER Indicator	Red light indicates standby mode. Flashing led shows the unit is powering on.
3	Remote sensor	Receives signals from the remote control. Do not block.
4	CH▼	Press to go to the previous channel.
5	CH▲	Press to go to the next channel.
6	VOL▼	Press to decrease the volume.
7	VOL▲	Press to increase the volume.
8	INPUT	Press to select the video input source.
9	MENU	Press to activate the on-screen display (OSD).

# Setting Up

## TV Rear

### TV Rear



# Setting Up

## Connect to other devices

**Warning:** Before connecting the TV to any other electronic device, unplug the TV and electronic device AC cords from the AC input.

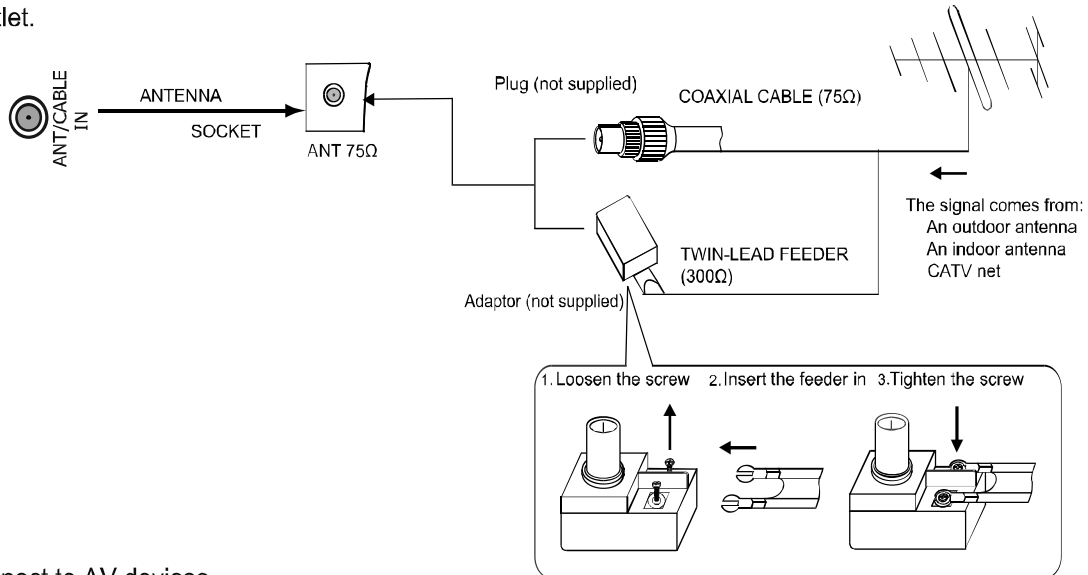
**Note:** Not all following terminals are included on your TV. The actual one refer to "TV Rear".

### 1. Connect to broadcast antenna or the cable TV

To have an optimal picture quality, it is strongly recommended to have an external antenna or a cable TV.

Note:

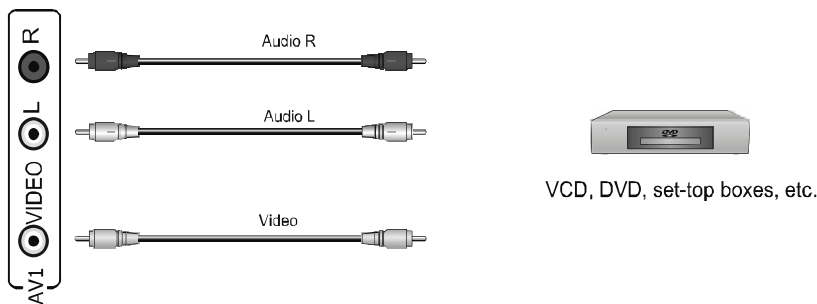
- It is recommended that coaxial cable (75Ω) be used to eliminate the interference caused by the mismatched impedance.
- The antenna cable should not be bound together with the power cord.
- When using the cable TV, please insert the plug of the coaxial cable (75 Ω) directly into the antenna outlet.



### 2. Connect to AV devices

- Connect a Video RCA or S-VIDEO cable to an appropriate external A/V device such as a VCR, DVD or Camcorder.
- Connect RCA audio cables to "R -AUDIO - L" and Video/S-Video on your set and the other ends to corresponding audio and Video/S-Video out connectors on the A/V device.

Note: For some sets the audio of S-Video share with AV.

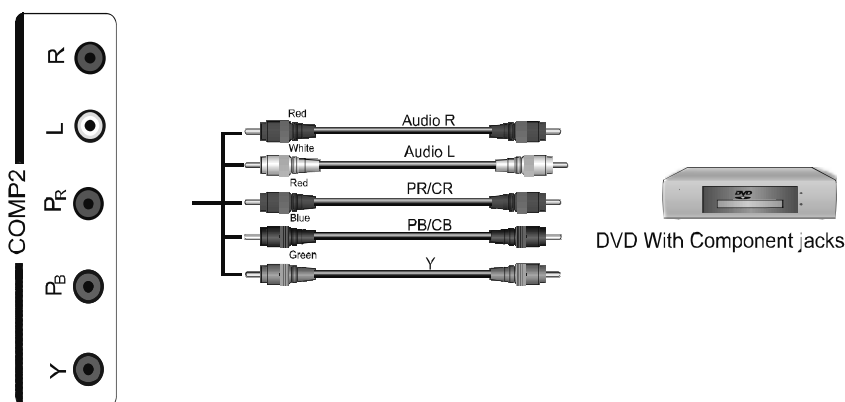


## Setting Up

### Connect to other devices

3. Connecting Component Devices (DVD, DVR (digital video recorder), Blu-Ray) Component video(Y, Pb, Pr)transmits video as separate Y, Pb, Pr signals. Use this connection for high-definition video signals from a DVD or other equipment.

- Connect Component video and audio cables to Component inputs ("PR/CR", "PB/CB", "Y") of your set and the other ends to corresponding component video out connectors on the PVR or DVD.
- The "Y, PB/CB and PR/CR" connectors on your component devices ((DVD, DVR (digital video recorder), Blu-Ray) are sometimes labeled Y, B-Y and R-Y or Y, CB and CR. (Colors for inputs and cables must correspond on both devices.)



#### 4. Connect to devices with HDMI interface

HDMI: High Definition Multimedia Interface

HDMI transmits an all-digital signal and is the recommended choice for playback from a digital DVD or DVR. No sound connection is needed for HDMI to HDMI connection.

- HDMI cable connected to the HDMI connector on the TV.



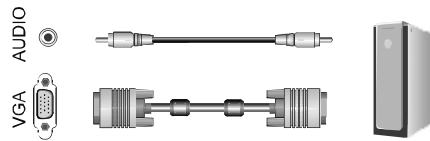
# Setting Up

## ▶ Connect to other devices

### 5. Connect to PC

- Connect the D-Sub cable to "VGA" on the rear of your set and the other end to the Video Card of your computer.
- Connect the stereo audio cable to "PC AUDIO" on the rear of your set and the other end to "Audio Out" of the sound card on your computer.

Note: For some sets "PC AUDIO" share with component.



Computer

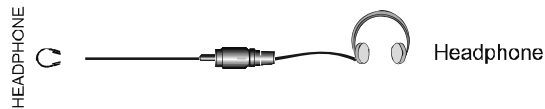
The D-Sub cable will not supplied with the product.

We strongly recommend to use D-Sub cable with 2 cores as shown in the figure.

### 6. Connect to headphone

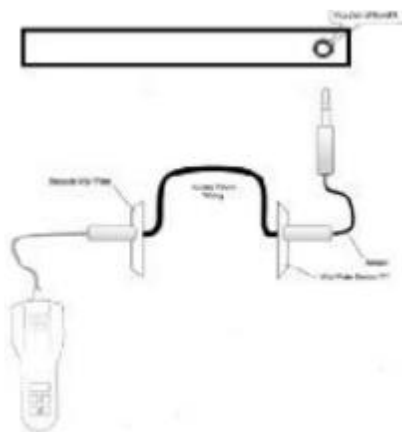
- Connect the headphone jack of the TV set.

The volume of the headphone is automatically adjusted with the main volume of the TV set.



### 7. Connect to Pillow Speaker

Connect the PILLOW SPEAKER output jack to the connector on the TV.

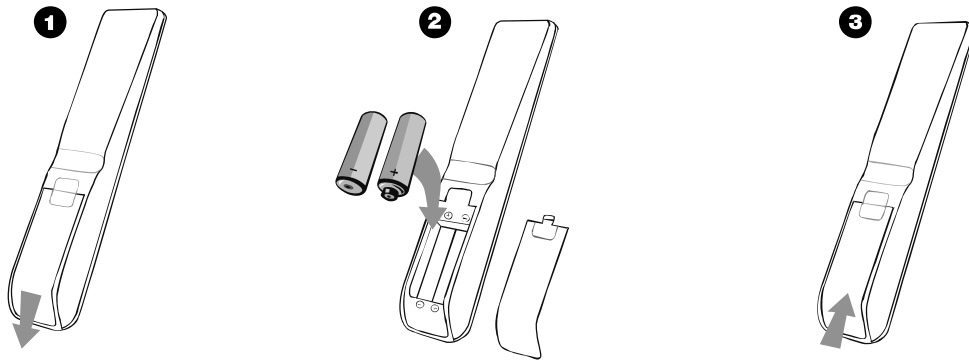


# Using the remote Control

## Installing batteries

### Installing the remote control batteries

1. Open the battery cover on the back of the remote control.
2. Install two AAA size(1.5V) batteries. Match the "+" and "-" signs on the batteries to the signs on the battery compartment.
3. Close the battery cover.

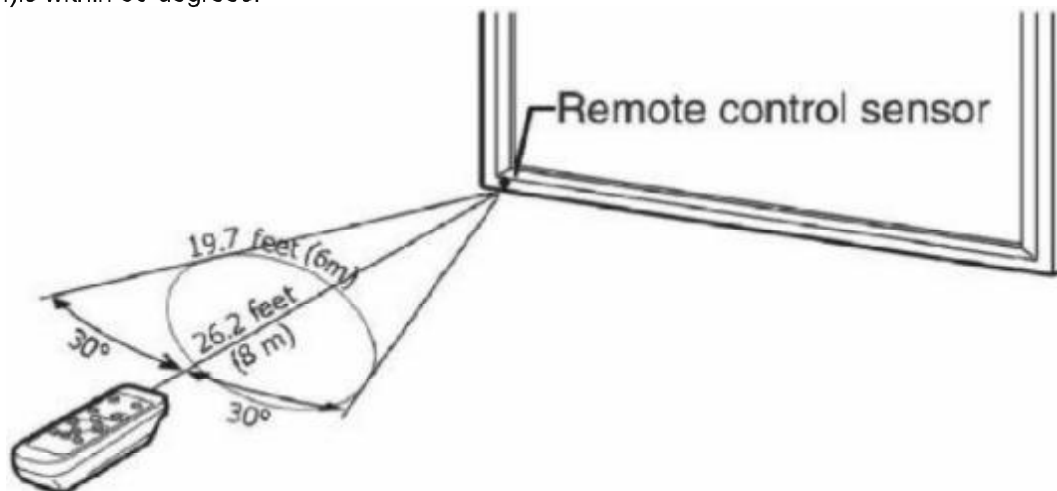


#### Note:

1. Dispose of your batteries in a designated disposal area. Do not throw the batteries into fire.
2. Do not mix battery types or combine used batteries with new ones.
3. Remove depleted batteries immediately to prevent battery acid from leaking into the battery compartment.
4. If you do not intend to use the remote control for a long time, remove the batteries.
5. The effective range of remote control is suggested below.

#### Remote control range

1. The remote control distance: 8 meters(26.2 feet) in front of the TV set.
2. The remote control angle: taking the television infrared light receiver window as an apex, 6 meters (19.7 feet) away, its controlled angle (left to right) is within 30 degrees, while the vertical angle (up to down)is within 30 degrees.



# Using the Remote Control

## Learning about the remote control panel □

Remote Control Panel	Buttons instructions
	<ol style="list-style-type: none"> <li>(1) Power indicator.</li> <li>(2) Power On/Off.</li> <li>(3) INPUT: Switch among TV, Video, S-Video, Component, HDMI and VGA.</li> <li>(4) 1,2,... numbers: For direct channel access.</li> <li>(5) Last: Return to previous channel.</li> <li>(6) 0 : Select digital channels.</li> <li>(7) PICTURE: Picture Mode selecting.</li> <li>(8) SOUND: Sound Mode selecting.</li> <li>(9) DISPLAY: Display current status information.</li> <li>(10) MUTE: Mute the sound.</li> <li>(11) VOL▲/▼: Volume increase/Volume decrease.</li> <li>(12) CH▲/▼: Next channel/Previous channel.</li> <li>(13) MENU: Display the main menu/Back menu display.</li> <li>(14) EXIT: On screen display (OSD) menu exit.</li> <li>(15) ENTER: Enter or confirm the operation/return to the previous menu. ▲/▼/◀/▶ : Up/Down/Left/Right operation.</li> <li>(16) MTS/SAP: Multi-channel television sound selection.</li> <li>(17) ASPECT: Select screen mode.</li> <li>(18) CCD: Closed caption decoder function.</li> <li>(19) GUIDE: ATSC tuners feature the Electronic Program Guide (EPG) function.</li> <li>(20) Sleep: Set the sleep timer.</li> <li>(21) TIME: Display the current timer.</li> <li>(22) Electronic Program Guide(EPG) function: After pressing the "GUIDE" button in the digital TV channel option, the 4 same color buttons will appear with explanations in the OSD. Follow the steps illustrated in the OSD.</li> <li>(23) NOT supported in this TV.</li> </ol> <p>Note:The design of the remote control is subject to change and may be different from the actual one. Those buttons without comment have no relations with this TV.</p>