



TCL多媒体科技控股有限公司

PRODUCTION FORM

版本号: R0

物料编号: 58-QE50MP-JKL1K

内容: RATING LABEL

型号: LE50UHDE5692G/MS69KL

时间: 2013-06-20

备注: 此物料如是环保物料, 则在BOM中体现。

牌子名称(BRAND NAME): NA-TCL

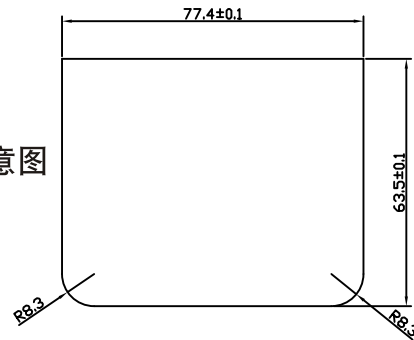
B.O.M.编号: H3-50E56V7-USAAWAA

往(TO): 采购部 塑胶厂 IQC PMC部 QA部 PE部

种类(TYPE OF JOB.): 丝印 Silk Screen Printing 水墨印刷 Wash Printing 四色印刷 Four-Colour Printing 喷油 Spraying Paint 塑胶颜色 Plastic Colour 其它 Others

- 内容: i) 稿件比例(SCALE) : 1:1
- ii) 尺寸(SIZE) : 77.4X63.5(MM)
- iii) 结构号 : 58-893110-JKL/OUI
- iv) 材质 : 不干胶贴纸
- iv) 颜色(COLOUR) : 黑底白字, 高光膜

结构示意图



CONFORMS TO
ANSI/UL STD.
60065
CERTIFIED TO
CAN/CSA STD.
C22.2 NO. 60065

TTE Technology, Inc.
555 S. Promenade Ave., Suite 103,
Corona, CA 92879

CAUTION/ATTENTION
RISK OF ELECTRIC SHOCK. DO NOT OPEN
RISQUE DE CHOC ELECTRIQUE. NE PAS OUVRIR

Model: LE50UHDE5692G
Manufactured in China
Rating: 120V-60Hz 150W

FCC ID: W8ULE50UHDE5692G
Contain FCC ID:
W8UWAE22. W8URC650D

This device complies with Part 15 of the
FCC Rules. Operation is subject to the
following two conditions:
(1) This device may not cause harmful
interference, and
(2) This device must accept any
interference received, including
interference that may cause undesired
operation.

Manufactured under license from Dolby
Laboratories.
Dolby and the double-D symbol are
trademarks of Dolby Laboratories.

TruSurround HD, SRS and the
symbol are trademarks of SRS Labs, Inc.

58-QE50MP-JKL1K

TCL提供 客户提供
TCL CUSTOMER

生效ODF和时间 ODF & DATE: 试产机 磁盘: 样稿: 1

制作人 PREPARED BY: 平面/审核 CHECKED BY: 项目工程师 CHECKED BY: 海外市场部审批 REVIEWED BY: