



TCL多媒体科技控股有限公司

PRODUCTION FORM

版本号: R0

物料编号: 58-L39F16-0UI1A

内容: RATING LABEL (后警告)

型号: 39S3600/MS39SR

时间: 2013-12-18

备注: 此物料如是环保物料, 则在BOM中体现。

牌子名称(BRAND NAME): NA-TCL

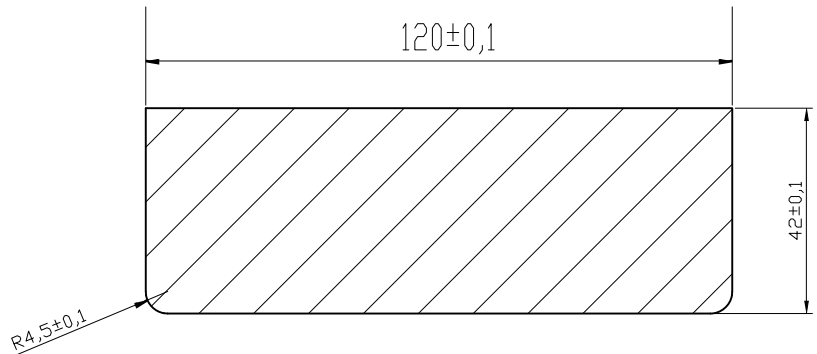
B.O.M.编号: H3-39S36W9-USAAWAA

往(TO): 采购部 塑胶厂 IQC PMC部 QA部 PE部

种类(TYPE OF JOB.): 丝印 Silk Screen Printing 水墨印刷 Wash Printing 四色印刷 Four-colour Printing 喷油 Spraying Paint 塑胶颜色 Plastic Colour 其它 Others

- 内容: i) 稿件比例(SCALE) : 1:1
- ii) 尺寸(SIZE) : 120X42(MM)
- iii) 结构号 : 58-977330-0UI
- iv) 材质 : 黑底白字, PVC材质
- iv) 颜色(COLOUR) :

结构示意图



 CONFORMS TO ANSI/UL STD. 60065 CERTIFIED TO CAN/CSA STD. C22.2 NO. 60065 Intertek 3092540 Model: 39S3600 Manufactured in China Rating: 120V~60Hz 60W Manufactured under license from Dolby Laboratories. Dolby and the double-D symbol are trademarks of Dolby Laboratories.	 TCL	TTE Technology, Inc. 555 S. Promenade Ave., Suite 103, Corona, CA 92879
	<p style="text-align: center;">CAUTION/ATTENTION</p> <p style="text-align: center;">⚠ RISK OF ELECTRIC SHOCK. DO NOT OPEN ⚠ ⚠ RISQUE DE CHOC ELECTRIQUE. NE PAS OUVRIR ⚠</p> <p>This Class B Digital Apparatus complies with Canadian ICES-003.</p>	<p>FCC ID: W8U39S3600 This device complies with Part 15 of the FCC Rules. Operation is subject to the following two conditions: (1) This device may not cause harmful interference, and (2) this device must accept any interference received, including interference that may cause undesired operation.</p>

TCL提供 客户提供
TCL CUSTOMER

生效ODF和时间 ODF & DATE: 试产机 磁盘: 1 样稿: 1

制作人 PREPARED BY: 平面/审核 CHECKED BY: 项目工程师 CHECKED BY: 海外市场部审批 REVIEWED BY:



Lable