


Label Location Information

DCS Digital Control Solution 3 Channel Digital Controller

STEINEL[®]
PROFESSIONAL

Power input: 120 / 277 Vac , 50 / 60 Hz 

Data Line Output: 12-22.5 Vdc / 250 mA (class 2)

Relay rating:

3 x 120/277 Vac, 20 A Tungsten, ELV

3 x 120/277 Vac, 20 A Standard Ballast, MLV

3 x 120/277 Vac, 16 A Electronic Ballast, LED, CFL

3 x 120 Vac, 20 FLA, 120 LRA, 1 Hp

3 x 120 Vac, 20 A Receptacle-Load Plug

Dimming Output: 3 x 0-10 V, 100 mA

max. 50 compatible drivers

Demand Response: 1 x 12-24 V, 1 mA

External Time Clock: 1 x 12-24 V, 1 mA

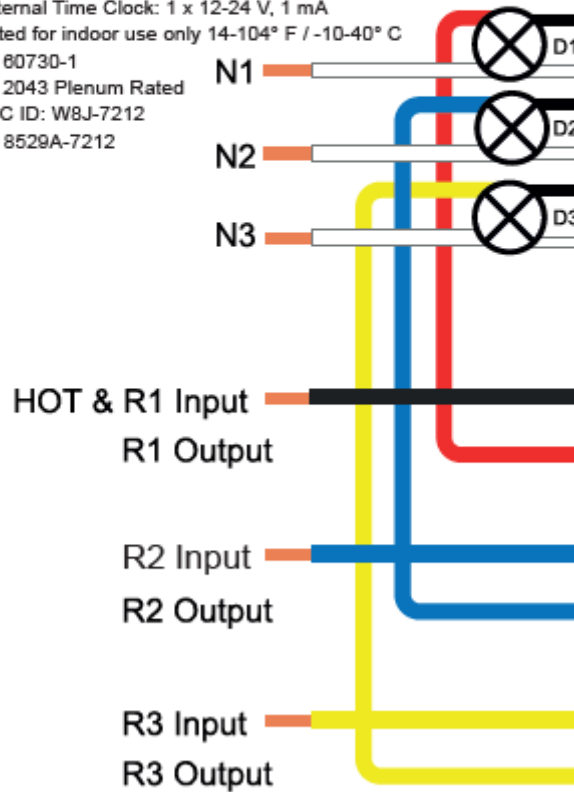
Rated for indoor use only 14-104° F / -10-40° C

UL 60730-1

UL 2043 Plenum Rated

FCC ID: W8J-7212

IC: 8529A-7212



Made in Switzerland
www.steinell.net



EUT (Inner layer-Upper cover)

