

OkIt

FM transmitter

User Manual



MODEL: F11A

Introduction

Thank you for purchasing Okit FM transmitter. This product can transmit your favourite music from your portable devices to your car, you can enjoying the music with full stereo sound. Please carefully read this instruction and make sure you have a better understanding before using this product.

This product can support various audio signal transmissions from iPod, iPhone, MP3, MP4, PDA as well as other audio players.

01

Features

- LCD frequency display with blue backlight.
- Adjustable arch design.
- High quality silicone fixer prevents the Okit from rotating, and keeps your device securely in place.
- High quality silicone protectors.
- The cigar lighter and detachable can replace freely, and the body can rotate with 360 degree.
- To add the cigar lighter socket
- Built-in remote control with IRS function.

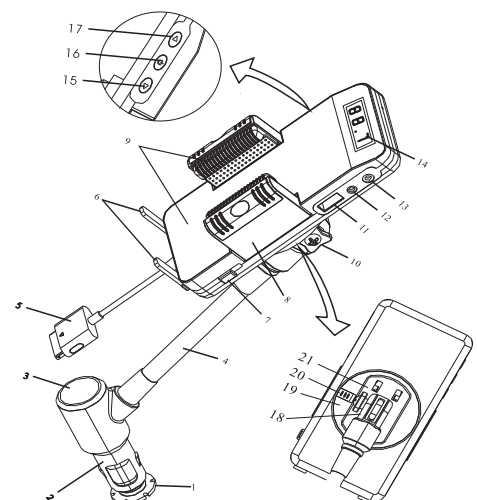
02

Features

- Built-in remote control with IRS function.
- The USB can read music in U-disk, and support WMA & Mp3 format.
- Built-in Bluetooth hands-free function and music player
- Multicolor display function.
- Supports dial function with remote control.
- Built-in 9 EQ format.
- Supports caller ID display and phone number report.

03

Device appearance



04

Device appearance

- Silicone fixer : Prevents the Okit from Rotating
- Cigarette power adapter : Insert into the cigarette lighter hole
- Cigar lighter connector : To add the external cigar lighter connector, it is convenient to use.
- Flexible goose-pipe : For easy positioning
- iPod 30 Pin connector : For use with iPhone / iPod
- Adjustable feet : Keeps your devices down
- Release button : Releases your holder
- Adjustable holder : To hold your devices
- Silicone protector : Protects your devices from being scratched
- Screw : Adjust tightness.
- USB port : Output voltage DC 5V 1A

05

Device appearance

- Power plugs : External input socket, DC12V-24V.
- 3.5 audio input hole : External audio input
- LCD panel : Display FM frequency
- "▼" : Frequency decreases
- Power button : You can press the button for 0.5 seconds to turn on or turn off the unit. When a call coming you can press the power button to have a conversation.
- "▲" : Frequency increases
- Angle adjusting : You can adjust the body up and down.
- Turn-table : You can adjust the unit for 360 degree.
- Turn-table button : You can fix the best angle shot you like.
- Connect device : The cigar lighter and detachable can replace freely.

06

Operation steps

- OkIt can support iPhone 3G. iPhone hands-free function, you need to use supplied 3.5mm audio cable or bluetooth connector to connect your device with Okit. When you receive a call while you are listening to the music, just press the "ANSWER" button, the music will pause and you will hear the conversation through your car speaker. After ending the call, the music will play automatically.
- Press and hold the power button for a few seconds, the backlight will turn on with LCD display. When you need to connect with the cupule, and be sure to use external car charger.

07

Operation steps

- Tune on your car radio and tune to an unused FM station, you can use "▲" or "▼" button to adjust the frequency to your car radio frequency, or you can turn on your radio to search automatic.
- To put your iPod or iPhone into the middle of the cradle, and keeps your devices securely in place. You can use the release button to choose the best position.
- When you need to take out of your device you can press the release button.

08

Operation steps

- Please connect to the iPod's 30-pin connector with iPod or iPhone, you can also use 3.5mm audio cable to connect iPod, iPhone with Okit.
- Adjustable feet keeps your devices down
- OkIt can rotate with 360 degree and you can adjust the body up and down freely.

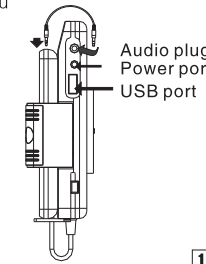
09

Operation steps

OkIt can support iPhone 3G. iPhone hands-free function, you need to use supplied 3.5mm audio cable or use Bluetooth connector to connect you device with Okit. When you receive a call while you are listening to the music, just press the "ANSWER" button, the music will pause and you will hear the conversation through your car speaker. After ending the call, the music will automatically resume.

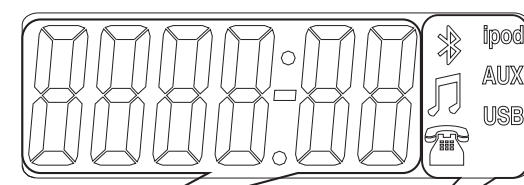
10. OKIT USB port

- You can charge other USB enabled devices such as mobile phones, and Bluetooth. You should use the specialized charger that came with your devices. You can also use the supplied USB cable. If your devices will accept a mini USB. Put the USB cable into the USB port, the unit will begin to charge mode.
- Supports U-disk ROM function (can read MP3 or WMA Format)



10

Display area instruction



- To display with phone number & frequency
- Audio input display area

1. Turn on your OKIT power button, you can see clearest double color on OKIT by turns. When you see a back ground of flashlight, and the "▲" Bluetooth is under the condition of search mode. After 1 minute the backlight will turn to one color automatically.

2. When the sign "▲" is stop to display the flashlight will be light, you can see the OKIT has already search the Bluetooth device. When the light continue to flashing, the OKIT can not search the Bluetooth device. (Bluetooth code: 0000)

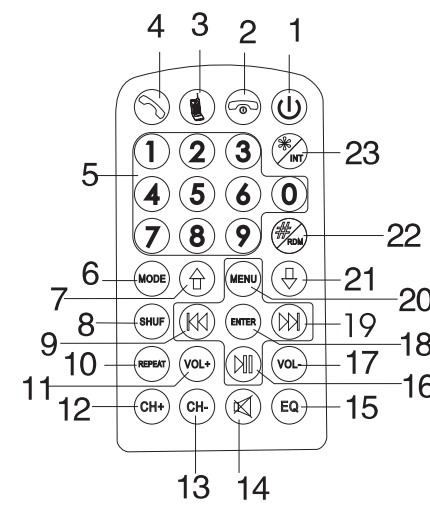
11

Display area instruction

- On area of "▲" "▼" When the light is on, the OKIT is start to play music, and "1" display frequency
- On area of "▲" "▼" When the light is on, it is under conversation mode. You can see the double color & phone number display on OKIT by turns while you have a conversation.
- On area of "iPod" When the light is on, the play mode is on iPod status.
- On area of "▲" "▼" When the light is on, the play mode is on AUX status.
- On area of "▲" "▼" When the light is on, the play mode is on U-disk status, "1" display area will show the list and the time.

12

Remote control instruction



13

Accessory and Remote control instruction

- Power button
- Call off button
- Private button
- Call dial button
- Digital button
- Select button of play mode
- Up button of iPod menu
- RDM button of iPod mode
- Prev
- Repeat button of iPod Mode
- Volume up
- Frequency increases
- Frequency decreases
- Mute
- EQ switch button (you can find it on U-disk play mode)
- Eq: NORMAL → Eq: ROCK → Eq: POP → Eq: SOFT → Eq: CLASSIC → Eq: BALLS → Eq: BLUE → Eq: JAZZ
- Pause/Play
- Volume down
- Enter button/Next
- iPod menu button
- Up button of iPod menu
- U-disk mode button & "*" button
- Browse button of U-disk mode & "*" button

14

Remote control function

- Call make : When you have a call to make you can dial the number. If you dialed the wrong number you can press the button "call off"
- Digital selected : you can press the number, and then press "CH+" or "CH-"
- Digital music selected : you can select the number to enjoying the music you have chosen, and press the button "OK", the music will start to play or you do not press the button "OK", the music will play automatically after 3 seconds (Only support U-disk)
- INT button : To help you quickly skim 10 minutes (Only supports U-disk)
- Language transfer—you can select the number "2", and then press button "CH+" or "CH-"

15

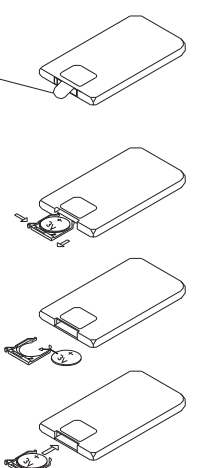
Remote control function

- Voice dial (your mobile phone must have this function itself)—if you want to use voice dialing function you can press number "3", then press "CH+" or "CH-".
- Bluetooth Code: you can press number "4", then press the button "CH+" or "CH-".
- Last number redial— you can press the button "dial" directly.
- Power button function: you can press the button for a short time when the phone call on/off. If you press the power button for a few minutes the transmitter will be turn off.

16

Remote control operation

- Insulator please take off the insulator before using the remote.
- battery when the range of the operation of the card remote control becomes short or no functions while operating. Replace the battery with a new button cell. Make sure the battery polarity before replace.
- 1) pull out the battery holder while pressing the stopper.
- 2) put the button-type battery(+) mark upward into the battery holder.
- 3) insert the Battery Holder into the Remote Control.



17

Note : Some models are not equipped with Remote Control, you should ignore the contents about remote control.

Technical data

- Band : FM frequency
- Quality : Hi-Fi stereo
- Range : 87.5 ~ 108.0MHz
- Interval : 0.1MHz
- Stability : ± 10ppm(-10°C ~ + 55°C)
- Clutter & Harmonic : ≤ -60dB
- Effective range : ≥ 5m
- Working voltage : DC 12V-24V
- USB output voltage : DC 5V 1A max
- Stereo separation : 40dB
- Frequency response : 20Hz ~ 16KHz
- Audio distortion ≤ 0.1% (F=75 KHz, f=1 KHz)
- SNR : ≥ 45dB (1KHz 100%)

18

Caution: the user that changes or modifications not expressly approved by the party responsible for compliance could void the user's authority to operate the equipment.

This device complies with Part 15 of the FCC Rules. Operation is subject to the following two conditions: (1) this device may not cause harmful interference, and (2) this device must accept any interference received, including interference that may cause undesired operation