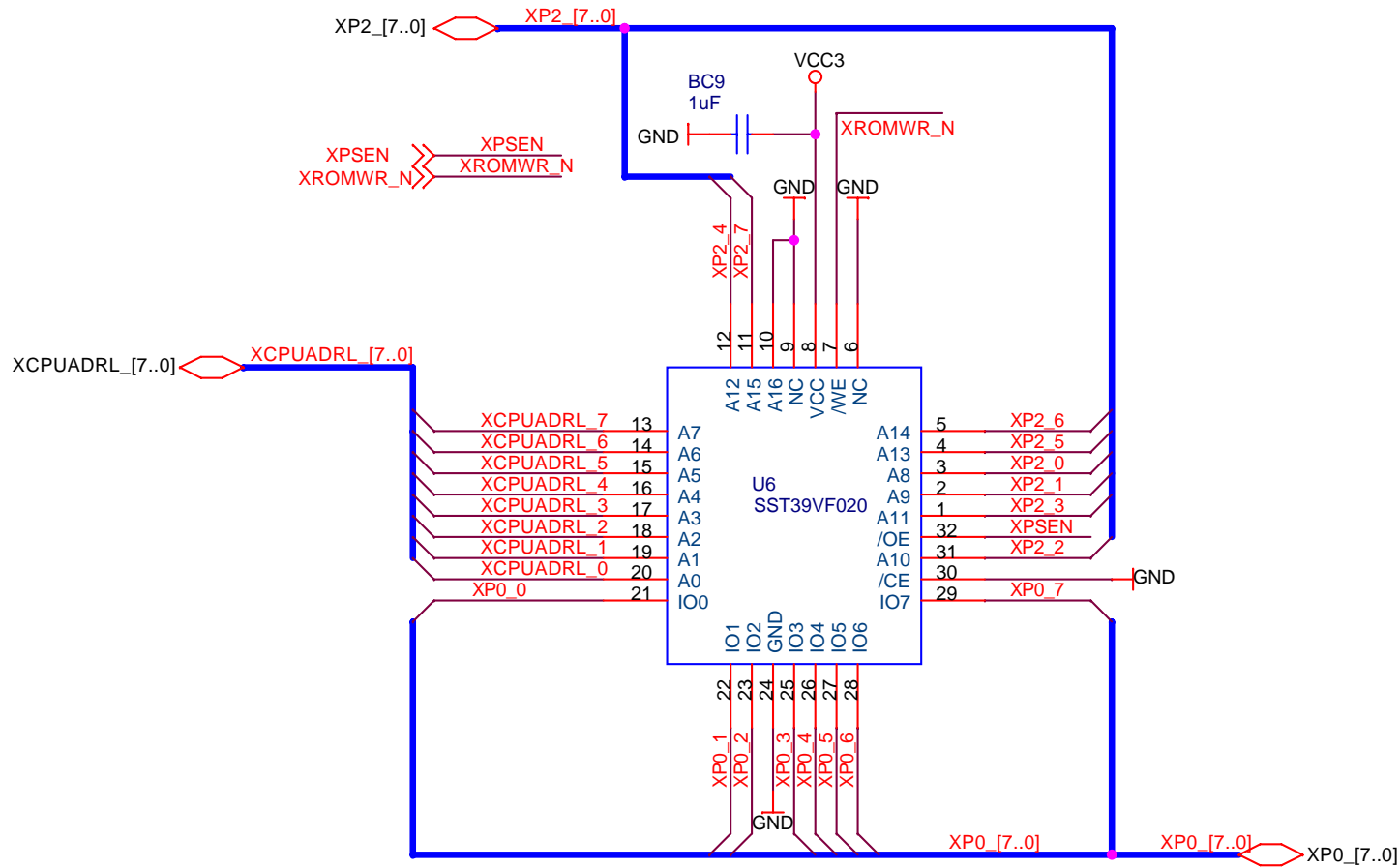
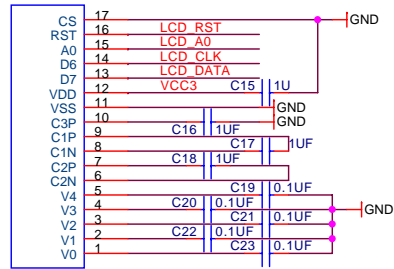


| | | |
|----------------------|------------------------------|--------------|
| S1 | | |
| Title | | |
| SPDA1000/2000 EVB4.0 | | |
| Size | Document Number | Rev |
| B | SPDA1K/2K EV Chip | 4.01 |
| Date: | Wednesday, December 26, 2007 | Sheet 1 of 6 |

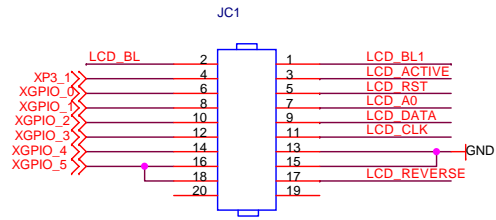
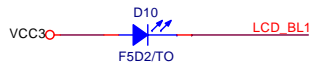


| | | |
|-------------------------------|-------------------------------------|--------------|
| S1 | | |
| Title SPDA1000/2000 EVB4.0 | | |
| Size A | Document Number USB & ROM & TEST | Rev 4.01 |
| Date: | Wednesday, December 26, 2007 | Sheet 2 of 5 |

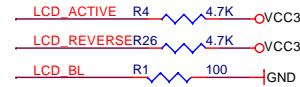
LCD96*32



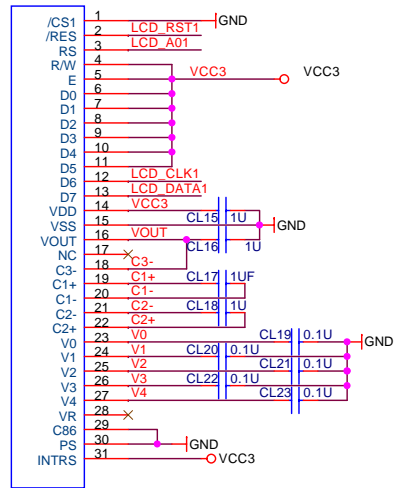
J1



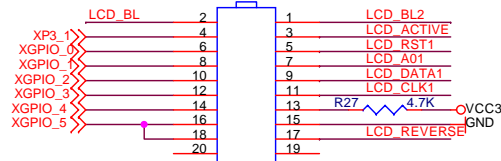
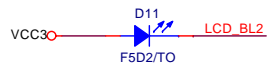
HEADER 10X2 2.54mm



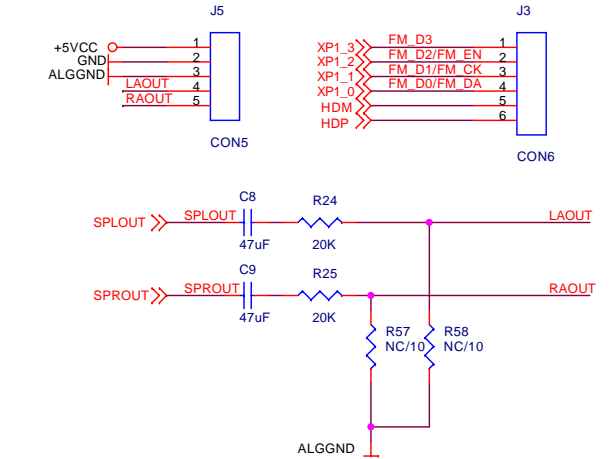
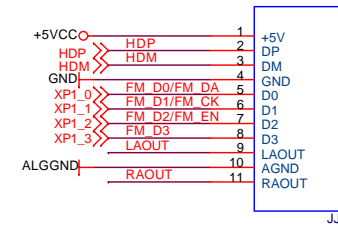
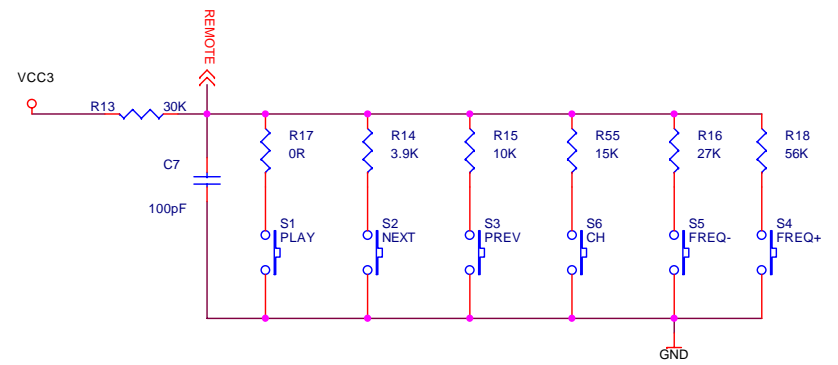
JJ1



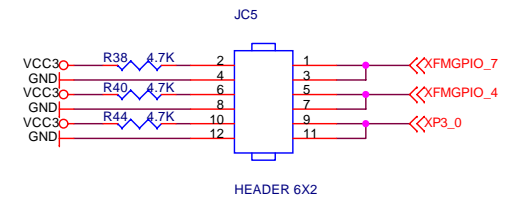
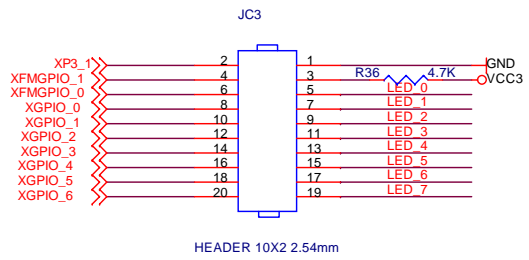
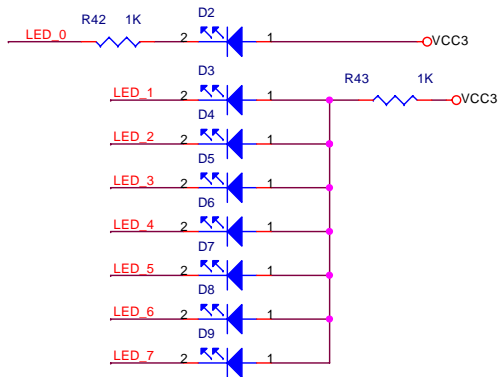
LCD128x32



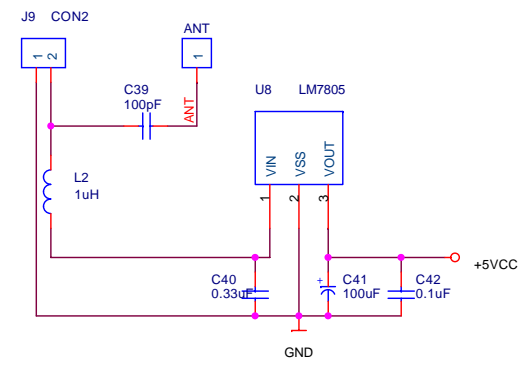
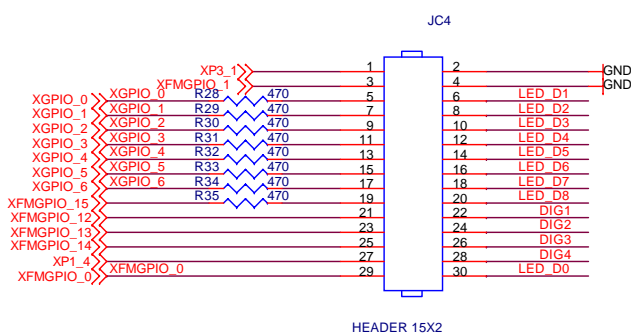
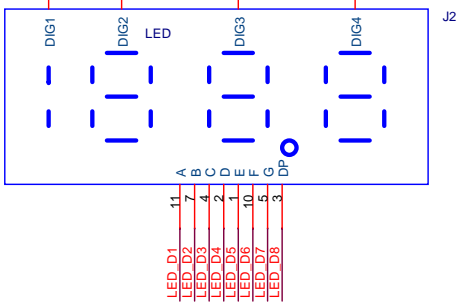
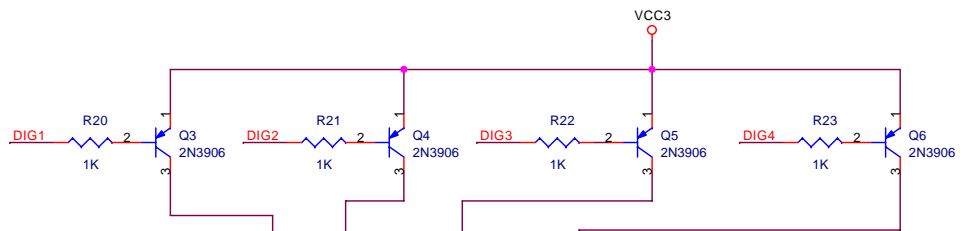
HEADER 10X2 2.54mm



| | | |
|-------------------------------|--|--------------|
| S1 | | |
| Title SPDA1000/2000 EVB4.0 | | |
| Size B | Document Number MIC & PHONE & LED & RESET | Rev 4.01 |
| Date: | Thursday, December 27, 2007 | Sheet 3 of 6 |



| 1/2 | 3/4 | 5/6 | 7/8 | FM发射型号 |
|-----|-----|-----|-----|---------------|
| OFF | ON | OFF | ON | HY1418/AS6001 |
| OFF | ON | ON | OFF | FMT80110C |
| ON | OFF | OFF | ON | HY1417/AS6002 |
| ON | OFF | ON | OFF | ZI2020 |



| | | |
|-------|---------------------------|--------------|
| Title | | <Title> |
| Size | Document Number | Rev |
| B | <Doc> | V1 |
| Date: | Friday, December 28, 2007 | Sheet 4 of 6 |