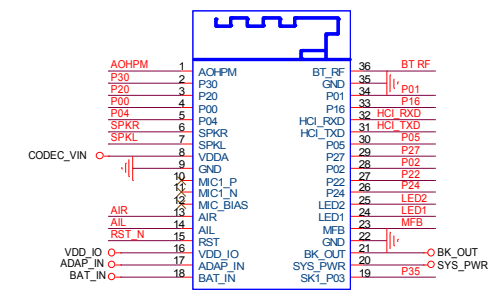


### PIN DEFINITION

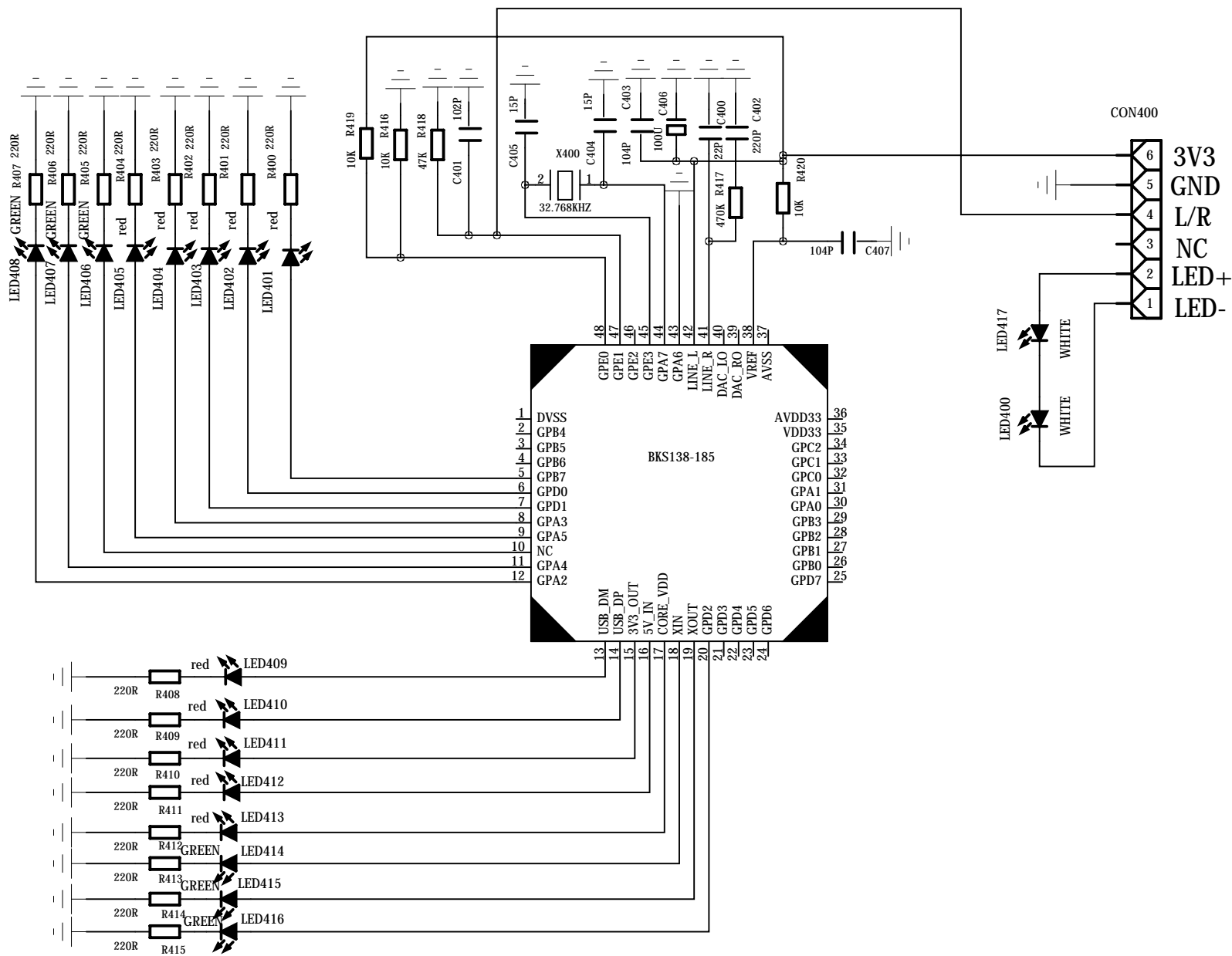


### GPIO Description

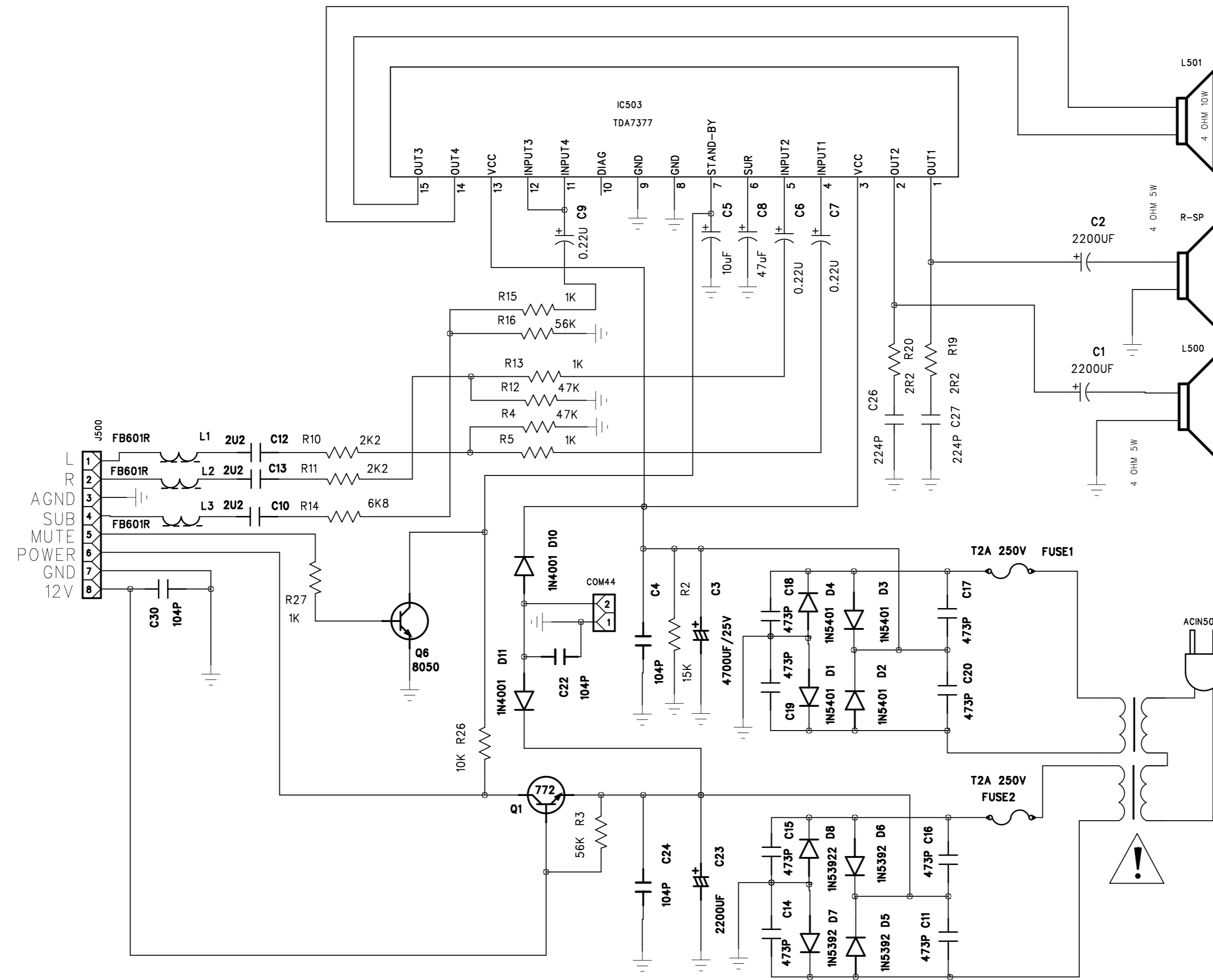
P00	Slide Switch Detect/TX_IND
P01	Volume up
P02	Play/Pause
P03	RX_IND
P04	Audio AMP Enable
P05	REV
P16	Volume down
P20	System Configuration
P22	Keep alive for external LDO
P24	System Configuration
P27	FWD

**ISSC** ISSC Technologies Corp.  
 ADD: 4F, No.8, Dusing Rd., Hsinchu Science Park,  
 Hsinchu City 30078, Taiwan  
 TEL: 886-3-5778385

Board Name		BM84SPK01	P/N
Size	Title	BM84SPK01	Rev
B			
Date:	Wednesday, July 25, 2012	Sheet	1 of 1



REVISION RECORD			
LTR	ECO NO:	APPROVED:	DATE:



COMPANY:			
TITLE: VP-168 AMP.PCB			
CODE:	SIZE:	DRAWING NO:	REV:
SCALE:			SHEET: 1 OF 1

DRAWN: Liang	DATED: 2010-6-30
CHECKED: Liang	DATED: 2010-6-30
QUALITY CONTROL:	DATED:
RELEASED:	DATED:

D

C

B

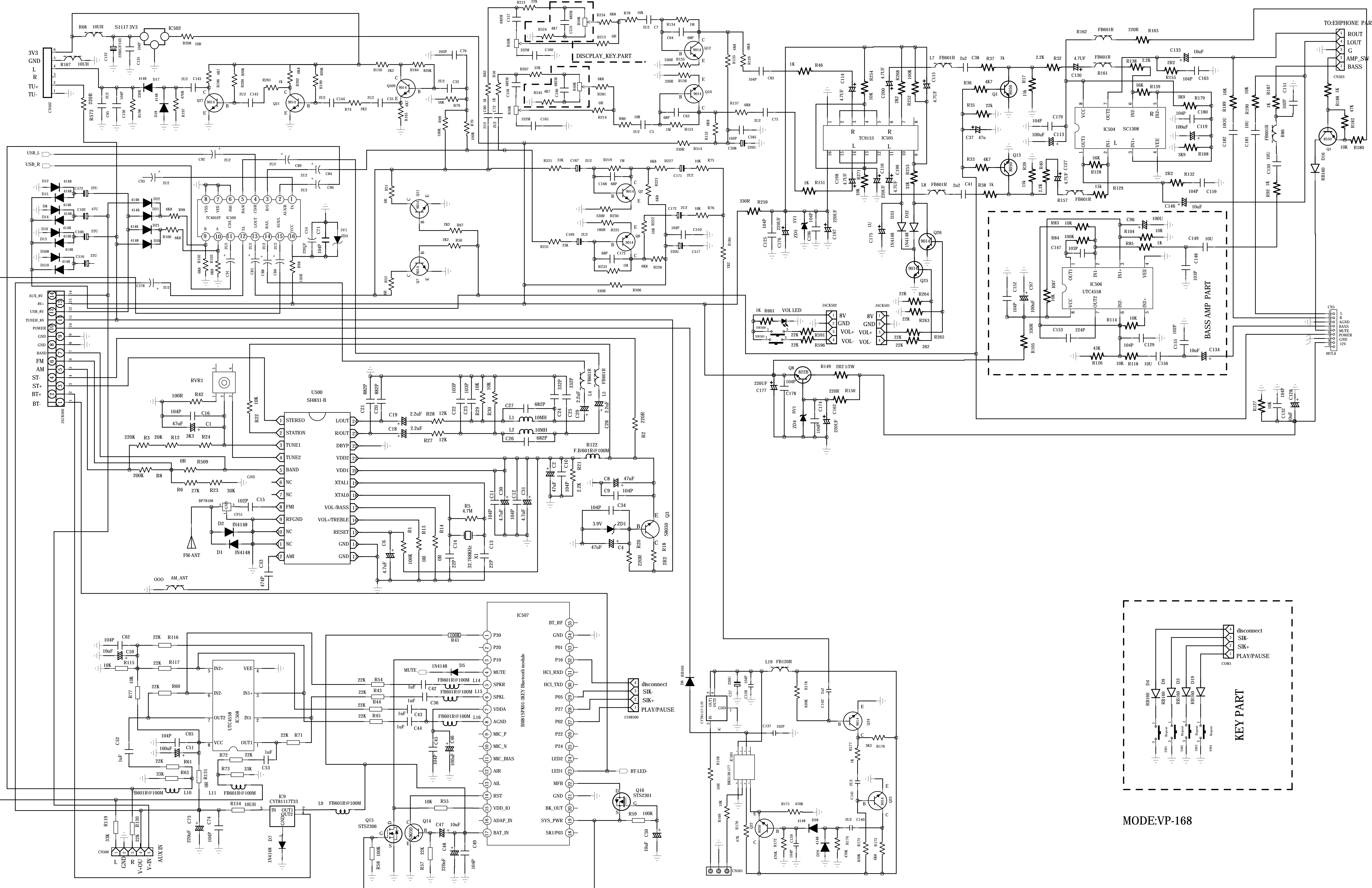
A

D

C

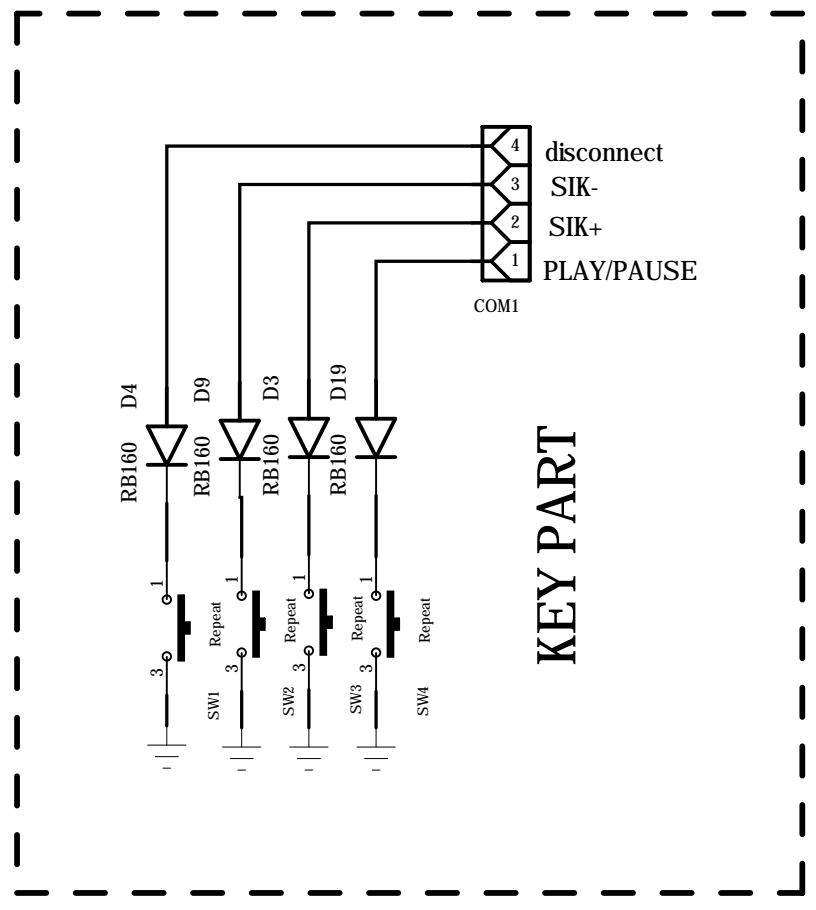
B

A



DISCPLAY\_KEY.PART

BASS AMP PART



MODE:VP-168