



APPLE TOYS DEVELOPMENT CO., LTD.

Rm818, 8/F., Tower A, Peninsula Centre, 67 Mody Road, TsimShaTsui East, Kowloon, Hong Kong

E-mail: apple@netvigator.com Website: http://www.appletoys.com.hk

TEL: (852)23676128 FAX: (852)27604861

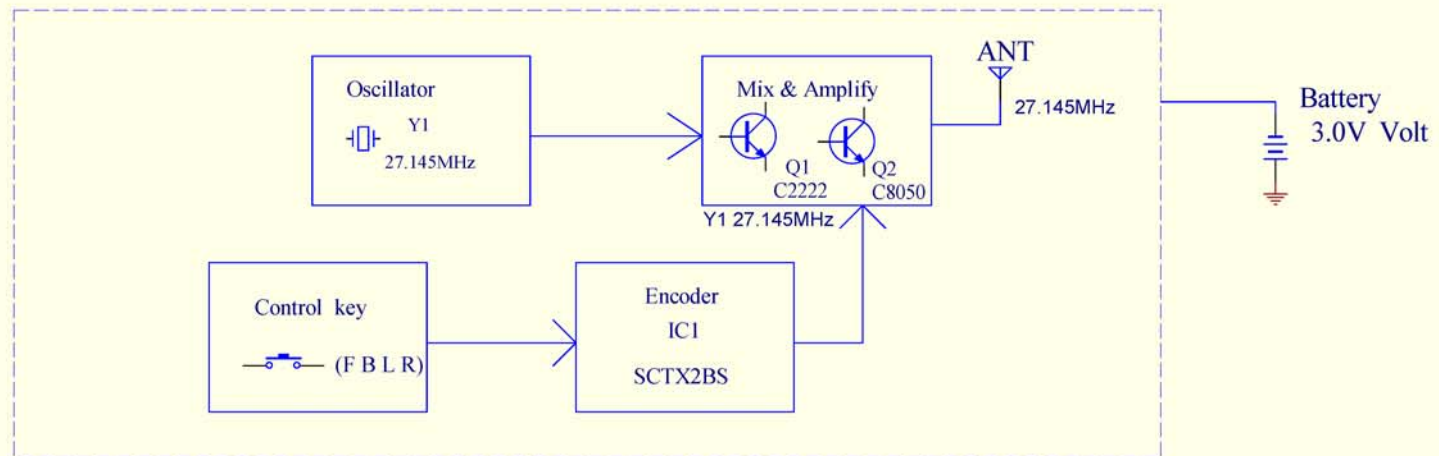
Item No. 8801 - 27MHz Transmitter block diagram

Project Name :8801 TX

Date: Mar-28-13

Version:1

Transmit frequency: 27.145MHz



Technical description:

- Encoding signal will be generated by IC1 when control key pressed, and it will be mixed & amplified with carrier frequency by Q1,
- Modulating signal will be transmitted through antenna network.

Title	8801-27MHz (TX) block diagram	
Site	Number	Revision
B	27.145MHz	
Date:	17-Apr-2013	Sheet of
File:	E:\source\8801\2013\8801-27MHz\8801-27MHz.dwg	