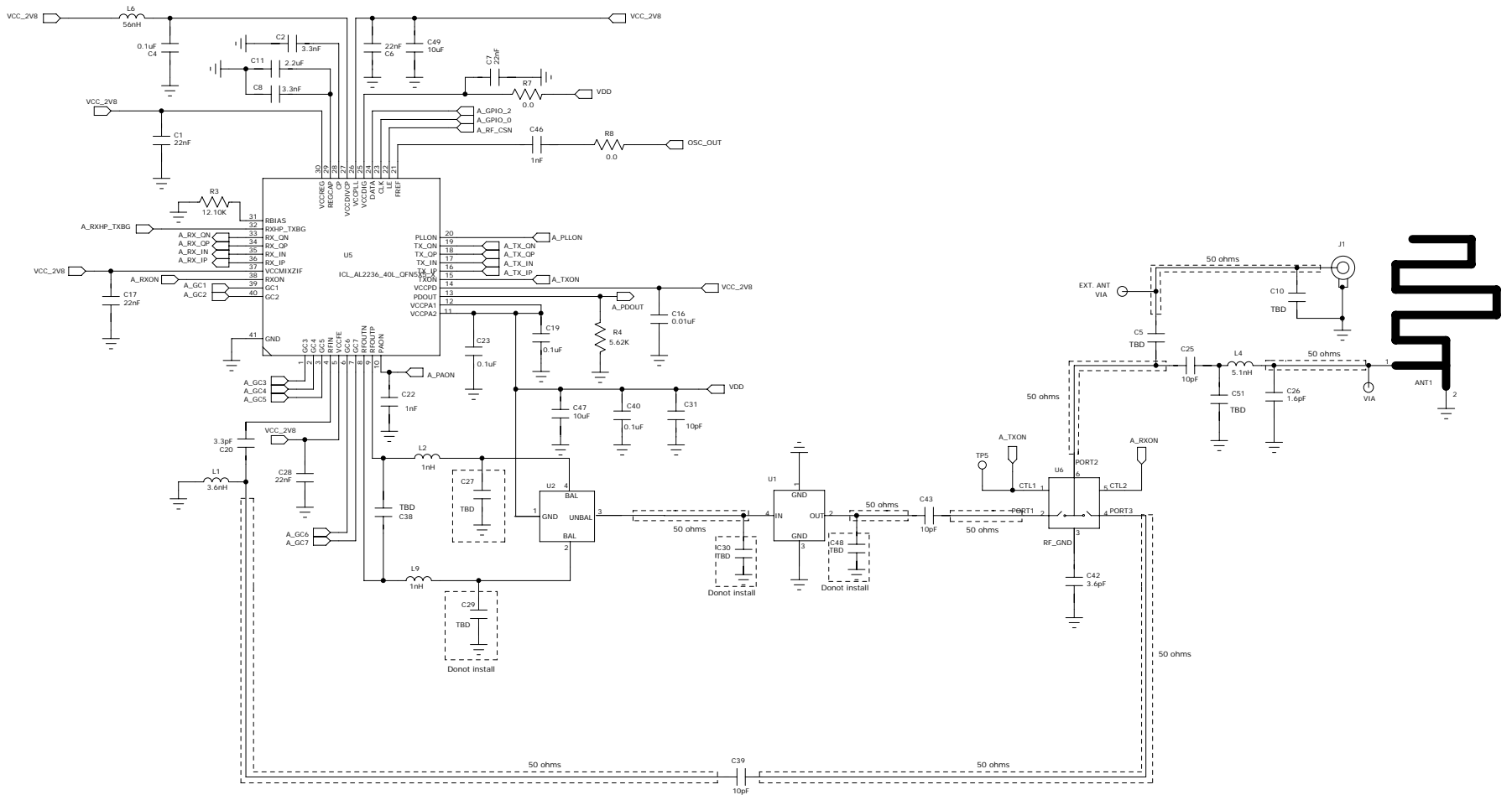


TITLE:				
MRF24WGOMA/MB/MC				
DRAWN:		DATE:		SPEC #:
ROBEFE DEL ROSARIO		03/05/2012		14-A5147
RELEASED:		DATE:		DRAWING #:
ROBEFE DEL ROSARIO		03/10/2012		MCHP11-0094-B
FILE NAME:		SIZE:	SHEET:	
14-A5147 -03.SCH		C	2 OF 3	
				REV:
				B

The information contained in this file is considered confidential and proprietary to Microchip Technology, Inc.
 as covered in our Non Disclosure Agreement. This information shall not be shared with any other party.



TITLE:				
MRF24WGOMA/MB/MC				
DRAWN:	DATE:	SPEC #:	DRAWING #:	
ROBEFE DEL ROSARIO	03/05/2012	14-A5147	MCHP11-0094-B	
RELEASED:	DATE:	FILE NAME:	SIZE:	REV:
ROBEFE DEL ROSARIO	03/10/2012	14-A5147 -03.SCH	C	B
SHEET: 3 OF 3				