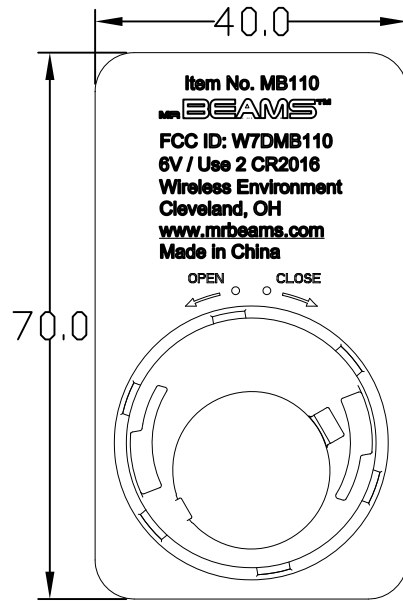


Revision:	Description:	By:	Date:



技术要求:

1. 本图为移印定位图,
2. 字体为黑色。
3. 不可有印花, 脱油现象。

				Aw. NO:	M1100110-A		
				Dwg. NO:	WE-0110-WH-W1-201		
Title:	Project:	Model:	Drawn by:	Scale:	Date:	Size:	Page:
Bottom Cover Marking	110	110	songtao	1:1	09/03/12	A4	1/1
E&D PLASTIC ELECTRONIC MANUFACTORY							

Item No. MB110
MR BEAMS™
FCC ID: W7DMB110
6V / Use 2 CR2016
Wireless Environment
Cleveland, OH
www.mrbeams.com
Made in China

Color : Black
M1100110-A