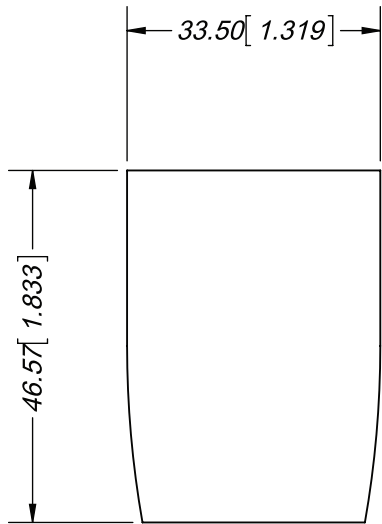
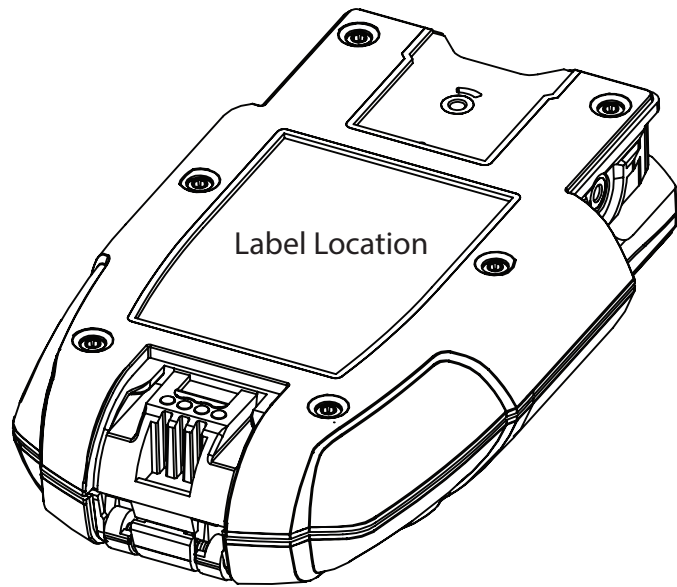


ECO №	DESCRIPTION	DWN	CHKD	CHKD DATE	REV
	1st Release G7c			June 9, 2017	Rev 1
	Add "Contains" to Industry Canada note			Jun 13, 2017	Rev 2
	Add additional FCC and IC identification numbers			Oct 23, 2018	Rev 3



Label



The label will be printed with the following information:

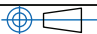
FCC ID: W77G7C
IC: 8255A-G7C

Contains FCC ID: XPY1CGM5NNN
Contains IC: 8595A-1CGM5NNN

Model G7C-xx*
Unit ID - [unique number]

Notes:
* xx indicates the product marketing region

PROPRIETARY AND CONFIDENTIAL:
The information contained in this drawing is the sole property of Blackline GPS Inc. Any reproduction in part or as a whole without the written permission of Blackline GPS Inc. is prohibited.

UNLESS OTHERWISE STATED:
All dimensions are in millimeters.
TOLERANCES ON DECIMALS:
1 Place ± 0.30 2 Place ± 0.15 Angles ± 0.5
THIRD ANGLE: 
DRAWING STANDARDS: CAN3-B78-1-M83
CAN/CSA-B78.2-M91

G7c label FCC requirement
Drawing № / File Name: G7c_label_FCCr3.ai
SCALE: 1:1 SIZE: A DO NOT SCALE DRAWING

DWN: Barry Moore 9-June-2017
Item №:
Rev: 3
SHEET: 1 of 1