



4, Songjuro236Beon-gil, Yangji-myeon, Cheoin-gu Yong-in-si,  
Gyeonggi-do, Korea 17159  
Tel: +82-31-323-6008 Fax: +82-31-323-6010  
<http://www.ltalab.com>

Dates of Tests: May 25,2022 ~ June 10, 2022  
Test Report S/N: LR500112206F  
Test Site : LTA CO., LTD.

## CERTIFICATION OF COMPLIANCE

FCC ID.	<b>W6YHP400</b>
APPLICANT	<b>PASSTECH CO., LTD.</b>

<b>Manufacturing Description</b>	:	<b>HOTEL DOOR LOCK</b>
<b>Manufacturer</b>	:	<b>PASSTECH CO., LTD.</b>
<b>Model name</b>	:	<b>HP400</b>
<b>Variant Model name</b>	:	<b>HP400N, HP400N-01,HP400N-02,HP400N-03 HP400-01,HP400-02,HP400-03</b>
<b>Test Device Serial No.:</b>	:	<b>Identical prototype</b>
<b>Rule Part(s)</b>	:	<b>FCC Part 15 Subpart C ; ANSI C63.10 - 2013</b>
<b>Frequency Range</b>	:	<b>13.56 MHz</b>
<b>Data of issue</b>	:	<b>June 13, 2022</b>

This test report is issued under the authority of:

*JaBeom.Koo*

Ja-Beom Koo, Manager

The test was supervised by:

*Eun-Hwan Jung*

Eun-Hwan Jung, Test Engineer

**This test result only responds to the tested sample. It is not allowed to copy this report even partly without the allowance of the test laboratory. The report must not be used by the client to claim product certification, approval, or endorsement by NVLAP, NIST, or any agency of the Federal Government.**



NVLAP LAB Code.: 200723-0

---

## TABLE OF CONTENTS

1. GENERAL INFORMATION	-----	3
2. INFORMATION ABOUT TEST ITEM	-----	4
3. TEST REPORT	-----	5
3.1 SUMMARY OF TESTS	-----	5
3.2 TECHNICAL CHARACTERISTICS TEST	-----	6
3.2.1 Radiated Emission	-----	6
3.2.2 Frequency Tolerance	-----	11
3.2.3 20dB Bandwidth	-----	12
3.2.4 AC Conducted Emissions	-----	14
<b>APPENDIX</b>		
APPENDIX TEST EQUIPMENT USED FOR TESTS	-----	15

## 1. General information

### 1-1 Test Performed

Company name : LTA Co., Ltd.  
 Address : 243, Jubug-ri, Yangji-Myeon, Youngin-Si, Kyunggi-Do, Korea. 17159  
 Web site : <http://www.ltalab.com>  
 E-mail : [chahn@ltalab.com](mailto:chahn@ltalab.com)  
 Telephone : +82-31-323-6008  
 Facsimile : +82-31-323-6010

Quality control in the testing laboratory is implemented as per ISO/IEC 17025 which is the “General requirements for the competents of calibration and testing laboratory”.

### 1-2 Accredited agencies

LTA Co., Ltd. is approved to perform EMC testing by the following agencies:

Agency	Country	Accreditation No.	Validity	Reference
NVLAP	U.S.A	200723-0	2022-09-28	ECT accredited Lab.
RRA	KOREA	KR0049	-	EMC accredited Lab.
FCC	U.S.A	649054	2023-01-25	FCC CAB
VCCI	JAPAN	C-4948,	2023-09-10	VCCI registration
VCCI	JAPAN	T-2416,	2023-09-10	VCCI registration
VCCI	JAPAN	R-4483(10 m),	2023-08-15	VCCI registration
VCCI	JAPAN	G-847	2022-12-13	VCCI registration
IC	CANADA	5799A-1	2022-10-18	IC filing

## 2. Information about test item

### 2-1 Client & Manufacturer

Client Company name : PASSTECH CO., LTD  
 Address : B-402, 215 Galmachi-ro, Jungwon-gu, Seongnam-si, Gyeonggi-do,  
 South Korea 13217  
 Tel / Fax : +82-31-743-7277 / +82-31-743-7276  
 Manufacturer PASSTECH CO., LTD  
 Address B-402, 215 Galmachi-ro, Jungwon-gu, Seongnam-si, Gyeonggi-do,  
 South Korea 13217  
 Tel / Fax +82-31-743-7277 / +82-31-743-7276

### 2-2 Equipment Under Test (EUT)

Model name : HP400  
 Variant Model name : HP400N, HP400N-01,HP400N-02,HP400N-03  
 HP400-01,HP400-02,HP400-03  
 Serial number : Identical prototype  
 Date of receipt : May 25 ,2022  
 EUT condition : Pre-production, not damaged  
 Antenna type : Pattern Antenna  
 Frequency Range : 13.56 MHz  
 Type of Modulation : FSK  
 Power Source : DC 6 V

### 2-3 Tested frequency

	LOW	MID	HIGH
Frequency (MHz) BLE		13.56	

### 2-4 Ancillary Equipment

Equipment	Model No.	Serial No.	Manufacturer
-	-	-	-

### 3. Test Report

#### 3.1 Summary of tests

FCC Part Section(s)	Parameter	Test Condition	Status (note 1)
15.209 15.225(a)(b)(c)(d)	Radiated Emission	Radiated	C
15.225(e)	Frequency Tolerance		C
15.215(c)	20dB Bandwidth		C
15.207	AC Conducted Emissions	Conducted	N/A
15.203	Antenna requirement	-	C

N/A : This product is battery-enabled and excludes the test.

The above equipment was tested by LTA Co., Ltd. The test data, data evaluation, test procedures, and equipment configurations shown in this report were made in accordance with the procedures given in ANSI C63.10-2013 and the energy emitted by the sample EUT tested as described in this report is in compliance with the requirements of FCC Rules Part 2 and Part 15.247 The test results of this report relate only to the tested sample identified in this report.

The tests were performed according to the method of measurements prescribed in KDB No.558074.

→ Antenna Requirement

PASSTECH CO., LTD FCC ID: W6YHP400 unit complies with the requirement of §15.203.

The antenna type is Pattern Antenna

## 3.2 Technical Characteristics Test

### 3.2.1 Radiated Spurious Emissions

#### Procedure:

Radiated emissions from 30 MHz to 25 GHz were measured according to the methods defines in ANSI C63.10-2013.

The EUT is a placed on as turn table. For emissions testing at or below 1 GHz, the table height shall be 0.8 m above the reference ground plane. For emission measurements above 1 GHz, the table height shall be 1.5 m. The turn table shall rotate 360 degrees to determine the position of maximum emission level. EUT is set 3m away from the receiving antenna which varied from 1m to 4m to find out the highest emission. And also, each emission was to be maximized by changing the polarization of receiving antenna both horizontal and vertical. In order to find out the max. emission, the relative positions of this hand-held transmitter (EUT) was rotated through three orthogonal axes and measurement procedures for electric field radiated emissions above 1 GHz the EUT measurement is to be made “while keeping the antenna in the ‘cone of radiation’ from that area and pointed at the area both in azimuth and elevation, with polarization oriented for maximum response.” is still within the 3dB illumination BW of the measurement antenna.

The spectrum analyzer is set to:

Center frequency = the worst channel

Frequency Range = 9 kHz ~ 10<sup>th</sup> harmonic.

RBW = 120 kHz ( 30 MHz ~ 1 GHz)

= 1 MHz ( 1 GHz ~ 10<sup>th</sup> harmonic )

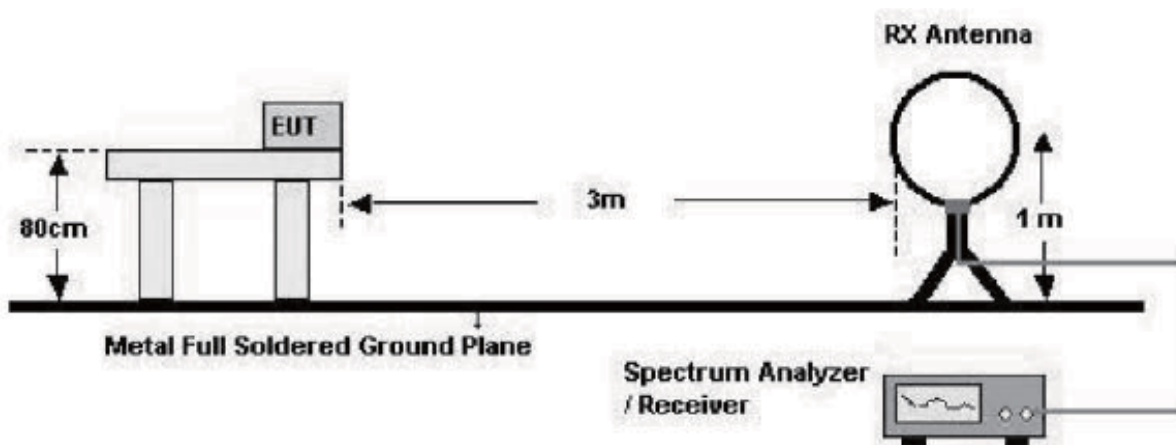
Trace = max hold

Sweep = auto

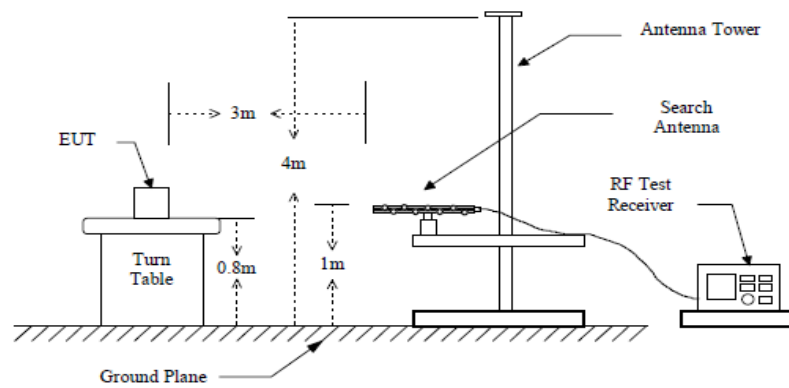
VBW  $\geq$  RBW

Detector function = peak

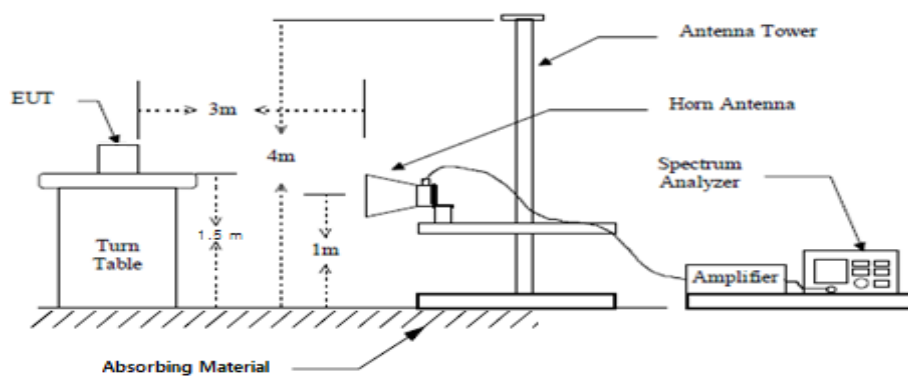
below 30 MHz



below 1 GHz (30 MHz to 1 GHz)



above 1 GHz



**Measurement Data: Complies**

- See next pages for actual measured data.
- No other emissions were detected at a level greater than 20 dB below limit include from 9 kHz to 30MHz.
- The test results for the worst of the various operating modes are presented in accordance with 6.3.4 of ANSI C63.10.
- Checked with a red circle is the fundamental frequency.

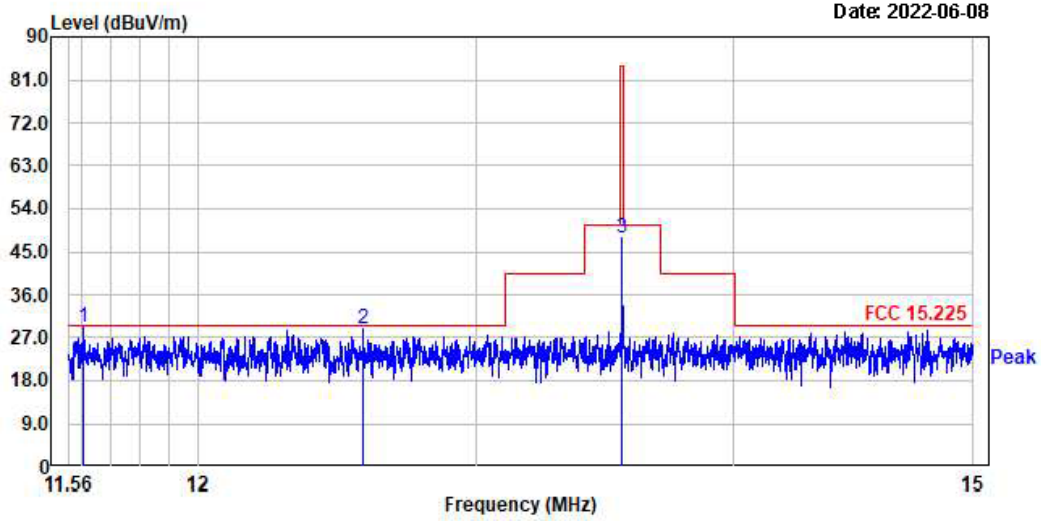
**Minimum Standard: FCC Part 15.209(a)**

<b>Frequency (MHz)</b>	<b>Limit (uV/m) @ 3 m</b>
0.009 ~ 0.490	2400/F(kHz) (@ 30 m)
0.490 ~ 1.705	24000/F(kHz) (@ 30 m)
1.705 ~ 30	30(@ 30 m)
30 ~ 88	100 **
88 ~ 216	150 **
216 ~ 960	200 **
Above 960	500

\*\* Except as provided in 15.209(g), fundamental emissions from intentional radiators operating under this Section shall not be located in the frequency bands 54-72 MHz, 76-88 MHz, 174-216 MHz or 470-806 MHz. However, operation within these frequency bands is permitted under other sections of this Part, e.g. 15.231 and 15.241.

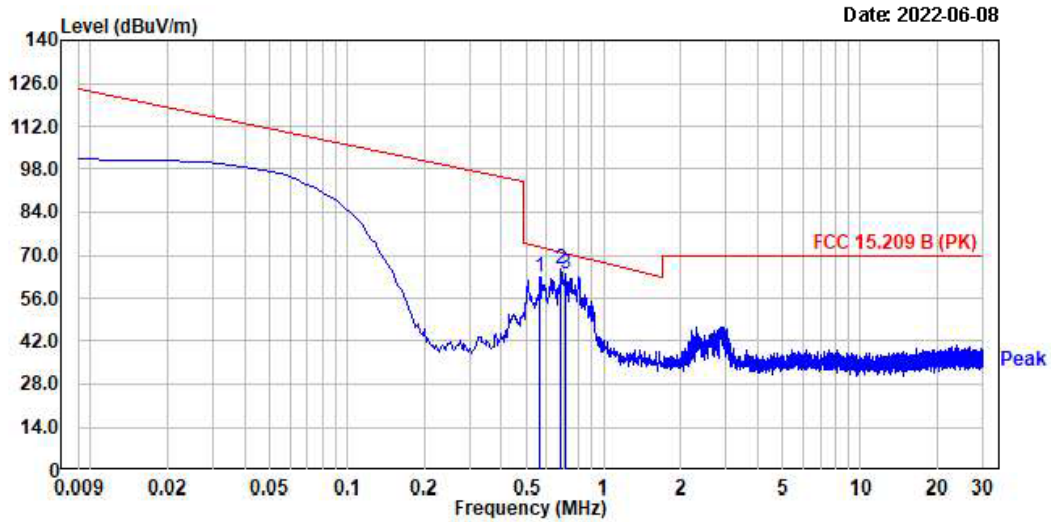


**Radiated Emissions**



No.	Freq MHz	Reading dBµV	C.F dB	Result QP dBµV/m	Limit dBµV/m	Margin dB	Height cm	Angle deg	Polarity
1.	11.61	8.27	20.89	29.16	29.54	0.38	0	0	horizontal
2.	12.58	7.87	21.08	28.95	29.54	0.59	0	0	horizontal
3.	13.56	26.59	21.28	47.87	84.00	36.13	0	0	horizontal

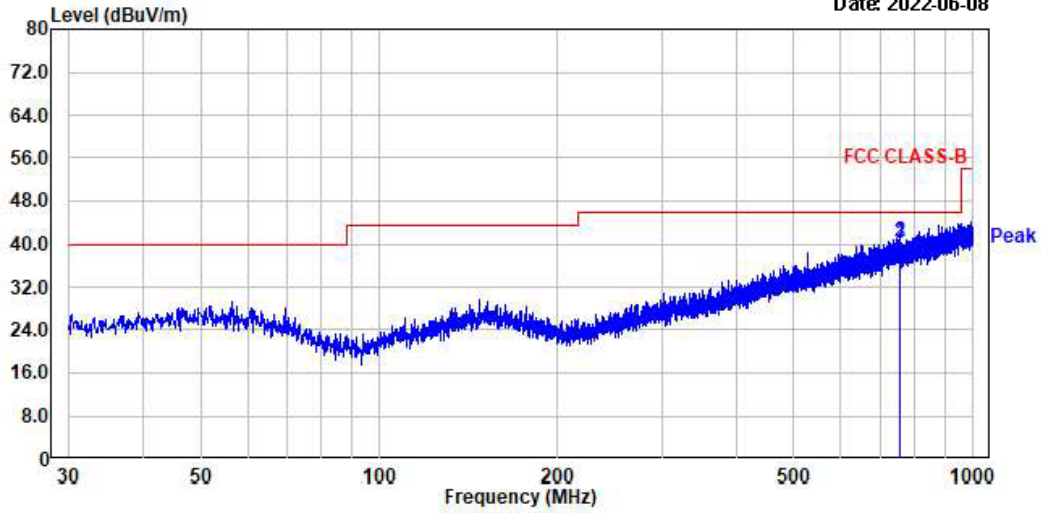
Remarks: C.F (Correction Factor) = Antenna factor + Cable loss - Preamp gain



No.	Freq MHz	Reading dBµV	C.F dB	Result QP dBµV/m	Limit dBµV/m	Margin dB	Height cm	Angle deg	Polarity
1.	0.56	42.64	20.23	62.87	72.76	9.89	0	360	horizontal
2.	0.68	45.11	20.30	65.41	71.06	5.65	0	360	horizontal
3.	0.71	43.47	20.31	63.78	70.73	6.95	0	188	horizontal

Remarks: C.F (Correction Factor) = Antenna factor + Cable loss - Preamp gain

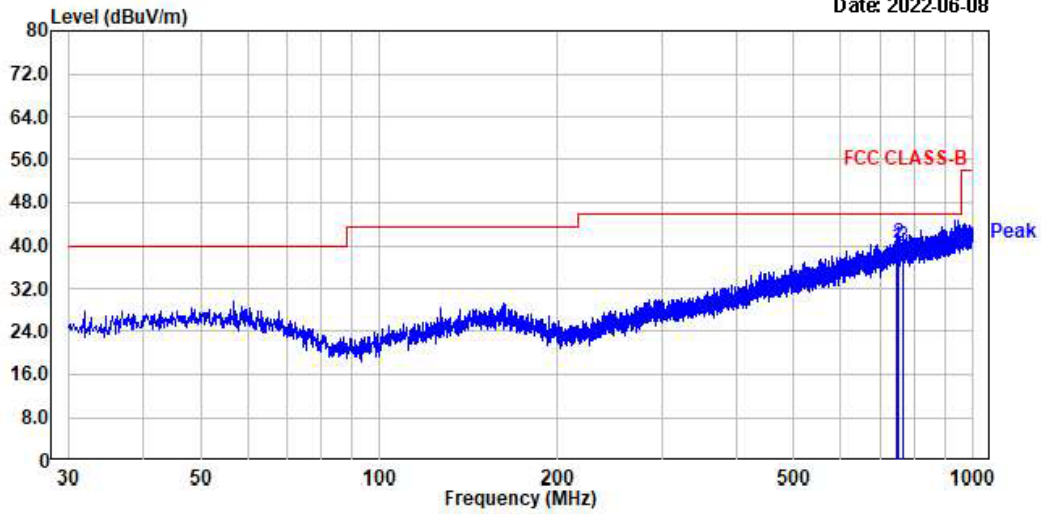
Date: 2022-06-08



No.	Freq MHz	Reading dB $\mu$ V	C.F dB	Result QP dB $\mu$ V/m	Limit dB $\mu$ V/m	Margin dB	Height cm	Angle deg	Polarity
1.	752.65	12.22	27.90	40.12	46.00	5.88	100	256	horizontal
2.	753.98	12.45	27.90	40.35	46.00	5.65	100	135	horizontal
3.	755.32	12.17	27.91	40.08	46.00	5.92	100	86	horizontal

Remarks: C.F (Correction Factor) = Antenna factor + Cable loss - Preamp gain

Date: 2022-06-08



No.	Freq MHz	Reading dB $\mu$ V	C.F dB	Result QP dB $\mu$ V/m	Limit dB $\mu$ V/m	Margin dB	Height cm	Angle deg	Polarity
1.	743.56	12.14	27.82	39.96	46.00	6.04	100	360	vertical
2.	748.16	12.48	27.88	40.36	46.00	5.64	100	360	vertical
3.	764.65	12.02	27.95	39.97	46.00	6.03	100	106	vertical

Remarks: C.F (Correction Factor) = Antenna factor + Cable loss - Preamp gain

### 3.2.2 Frequency Tolerance

#### Procedure:

According to FCC section 15.225, the devices operating in the 13.553~13.567 MHz shall maintain the carrier frequency within 0.01% of the operating frequency over the temperature variation of

-20°C to +50°C using an environmental chamber. The primary supply voltage is varied from 85% to 115% of the voltage normally at the input to the device or at the power supply terminals if cables are not normally supplied.

Measurement Data : **Complies**

VOLTAGE (%)	Test Conditions		Fre. Dev. (Hz)	Deviation (%)	Verdict
	Power (VDC)	Temperature (°C)			
100	6	-20	175	0.0013	PASS
100		-10	206	0.0015	
100		0	157	0.0012	
100		50	101	0.0007	
85	5.1	20	220	0.0016	
115	6.9	50	223	0.0016	

#### Minimum Standard:

±0.01%

#### Measurement Setup

The EUT, which is powered by the DC Power Supply directly, is located in the Temperature Chamber. The EUT was measured by transmitter mode continuously.

### 3.2.3 20 dB Bandwidth

**Procedure:**

According to FCC section 15.215(c), the 20dB bandwidth should be contained within the frequency band designated in the rule section under which the EUT is operated, it was measured with a spectrum analyzer connected the EUT while the EUT is operating in transmission mode.

The spectrum analyzer is set to:

Center frequency = the highest, middle and the lowest channels

RBW = 1 kHz

VBW = 3 X RBW

Trace = max hold

Sweep = auto

Detector function = peak

**Measurement Data : Complies**

**BLE Mode**

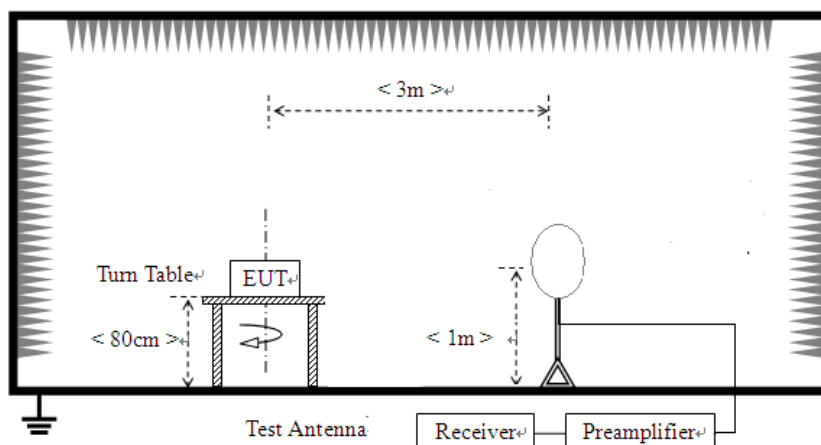
Frequency (MHz)	Test Results	
	Measured Bandwidth (kHz)	Result
13.56	2.460	Complies

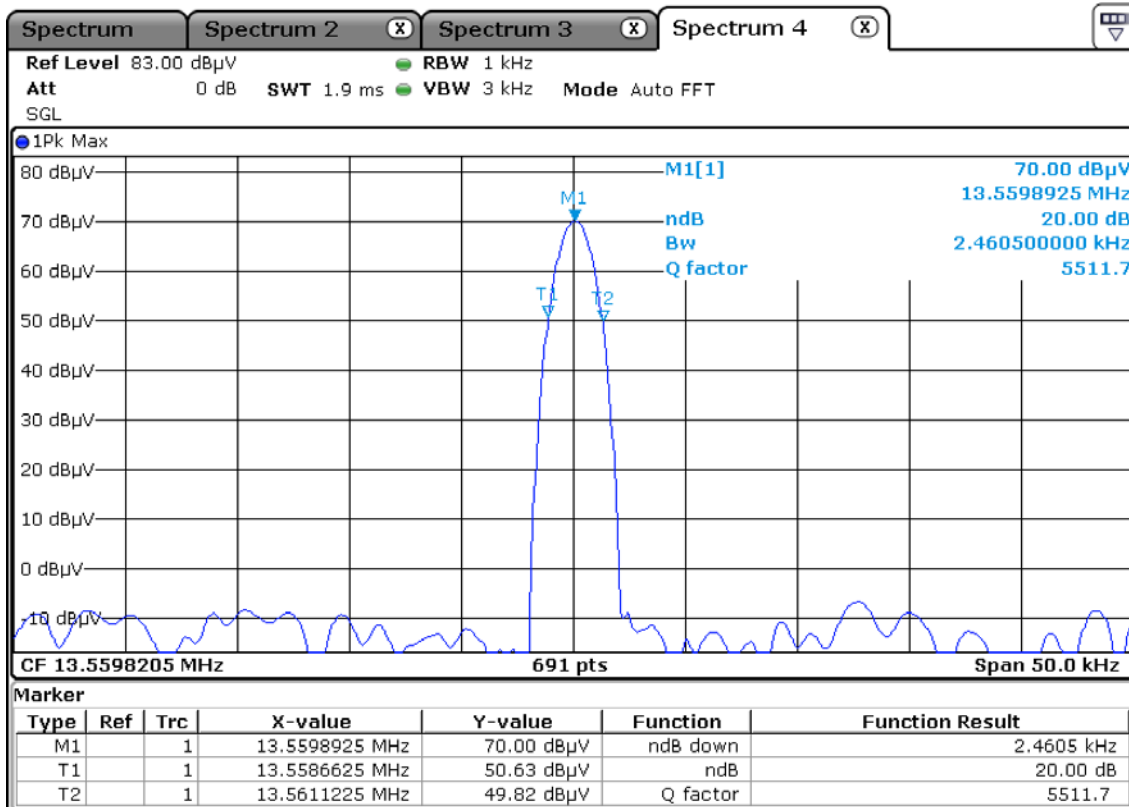
- See next pages for actual measured spectrum plots.

**Minimum Standard:**

20 dB Bandwidth ≤ 14 kHz

**Measurement Setup**





### 3.2.4 AC Conducted Emissions

#### Procedure:

The conducted emissions are measured in the shielded room with a spectrum analyzer in peak hold. While the measurement, EUT had its hopping function disabled at the middle channels in line with Section 15.31(m). Emissions closest to the limit are measured in the quasi-peak mode (QP) with the tuned receiver using a bandwidth of 9 kHz. The emissions are maximized further by cable manipulation and Exerciser operation. The highest emissions relative to the limit are listed.

**Measurement Data:** N/A

#### Class B

Frequency Range	quasi-peak	Average
0.15 ~ 0.5	66 to 56 *	56 to 46 *
0.5 ~ 5	56	46
5 ~ 30	60	50

\* Decreases with the logarithm of the frequency

**APPENDIX**  
**TEST EQUIPMENT USED FOR TESTS**

	Use	Description	Model No.	Serial No.	Manufacturer	Interval	Next Cal. Date
1	■	Signal Analyzer (9 kHz ~ 30 GHz)	FSV30	100757	R&S	1 year	2022-09-06
2	■	Signal Generator (~3.2 GHz)	8648C	3623A02597	HP	1 year	2023-03-16
3		SYNTHESIZED CW GENERATOR	83711B	US34490456	HP	1 year	2023-03-16
4		Attenuator (3 dB)	8491A	37822	HP	1 year	2022-09-06
5		Attenuator (10 dB)	8491A	63196	HP	1 year	2022-09-06
6	■	EMI Test Receiver (~7 GHz)	ESCI7	100722	R&S	1 year	2022-09-06
7	■	RF Amplifier (~1.3 GHz)	8447D OPT 010	2944A07684	HP	1 year	2022-09-06
8		RF Amplifier (1~26.5 GHz)	8449B	3008A02126	HP	1 year	2023-03-16
9		Horn Antenna (1~18 GHz)	3115	00114105	ETS	2 year	2022-09-06
10		DRG Horn (Small)	3116B	81109	ETS-Lindgren	2 year	2024-03-18
11		DRG Horn (Small)	3116B	133350	ETS-Lindgren	2 year	2024-03-18
12	■	TRILOG Antenna	VULB 9160	9160-3237	SCHWARZBECK	2 year	2023-03-20
13		Temp.Humidity Data Logger	SK-L200TH II A	00801	SATO	1 year	2023-03-16
14		Splitter (SMA)	ZFSC-2-2500	SF617800326	Mini-Circuits	-	-
15	■	DC Power Supply	6674A	3637A01657	Agilent	-	-
17	■	Power Meter	EPM-441A	GB32481702	HP	1 year	2023-03-16
18	■	Power Sensor	8481A	3318A94972	HP	1 year	2022-09-06
19		Audio Analyzer	8903B	3729A18901	HP	1 year	2022-09-06
20		Modulation Analyzer	8901B	3749A05878	HP	1 year	2022-09-06
21		TEMP & HUMIDITY Chamber	YJ-500	LTAS06041	JinYoung Tech	1 year	2022-09-06
22		Stop Watch	HS-3	812Q08R	CASIO	2 year	2024-03-18
23		LISN	KNW-407	8-1430-1	Kyoritsu	1 year	2022-09-06
24		Two-Lime V-Network	ESH3-Z5	893045/017	R&S	1 year	2023-03-16
25		UNIVERSAL RADIO COMMUNICATION TESTER	CMU200	106243	R&S	1 year	2023-03-16
26		Highpass Filter	WHKX1.5/15G-10SS	74	Wainwright Instruments	1 year	2023-03-16
27		Highpass Filter	WHKX3.0/18G-10SS	118	Wainwright Instruments	1 year	2023-03-16
28		OSP120 BASE UNIT	OSP120	101230	R&S	1 year	2023-03-16
29		Signal Generator(100 kHz ~ 40 GHz)	SMB100A03	177621	R&S	1 year	2023-03-16
30		Signal Analyzer (10 Hz ~ 40 GHz)	FSV40	101367	R&S	1 year	2023-03-16
31	■	Active Loop Antenna	FMZB 1519	1519-031	SCHWARZBECK	2 year	2023-02-26