

SMDR-NH124(Remote Unit)

User Manual



REVISION HISTORY

Version	Issue Date	No. of Pages	Initials	Details of Revision Changes
V 1.0	July. 14, 2015		Original	

Technical Support

SOLiD serial numbers must be available to authorize technical support and/or to establish a return authorization for defective units. The serial numbers are located on the back of the unit, as well as on the box in which they were delivered. Additional support information may be obtained by accessing the SOLiD Tehcnology, Inc. website at www.st.co.kr or send email at sjkim@st.co.kr

This manual is produced by Global Business Division Business Team 1. Printed in Korea.

Contents

Section1	Safety & Certification Notice.....	5
Section2	System Overview.....	9
2.1	Purpose.....	10
2.2	SMDR-NH124.....	11
2.3	Dimension.....	12
Section3	System Installation.....	13
3.1	ROU Installation.....	13
3.1.1	ROU Enclosure installation.....	13
3.1.2	ROU Power Cabling.....	17
3.1.3	Optical Cabling.....	18
3.1.4	GND Terminal Connection.....	19
3.1.5	Coaxial cable and Antenna Connection.....	20
3.1.6	Insertion of RDU.....	20
3.1.7	RDU Specifications Per band.....	21

Contents of Figure

Figure 3.1 – ROU Outer Look	12
Figure 3.2 – How to install ROU	14
Figure 3.3 – Dimension used to install ROU on the WALL.....	14

Section 1

Safety & Certification Notice

“Only qualified personnel should handle the DAS equipment. Any person involved in installation or service of the DAS should understand and follow these safety guidelines.”

- Obey all general and regional installation and safety regulations relating to work on high voltage installations, as well as regulations covering correct use of tools and personal protective equipment.
- The power supply unit in repeaters contains dangerous voltage level, which can cause electric shock. Switch the mains off prior to any work in such a repeater. Any local regulations are to be followed when servicing repeaters.
- When working with units outdoors, make sure to securely fasten the door or cover in an open position to prevent the door from slamming shut in windy conditions..
- Use this unit only for the purpose specified by the manufacturer. Do not carry out any modifications or fit any spare parts which are not sold or recommended by the manufacturer. This could cause fires, electric shock or other injuries.
- Any DAS system or Fiber BDA will generate radio (RF) signals and continuously emit RF energy. Avoid prolonged exposure to the antennas. SOLiD recommends maintaining a 200cm minimum clearance from the antenna while the system is operating.
- Do not operate this unit on or close to flammable materials, as the unit may reach high temperatures due to power dissipation.
- Do not use any solvents, chemicals, or cleaning solutions containing alcohol, ammonia, or abrasives on the DAS equipment. Alcohol may be used to clean fiber optic cabling ends and connectors.
- To prevent electrical shock, switch the main power supply off prior to working with the DAS System or Fiber BDA. Never install or use electrical equipment in a wet location or during a lightning storm.
- Do not look into the ends of any optical fiber or directly into the optical transceiver of any digital unit. Use an optical spectrum analyzer to verify active fibers. Place a protective cap over any radiating transceiver or optical fiber connector to avoid the potential of radiation exposure.
- Allow sufficient fiber length to permit routing without severe bends.
- For pluggable equipment, make sure to install the socket outlet near the equipment so that it is easily accessible.
- A readily accessible disconnect device shall be incorporated external to the equipment.

- This power of this system shall be supplied through wiring installed in a normal building. If powered directly from the mains distribution system, it shall be used additional protection, such as overvoltage protection device

- Only 50 ohm rated antennas, cables and passive equipment shall be used with this remote. Any equipment attached to this device not meeting this standard may cause degradation and unwanted signals in the bi-directional system. All components connected to this device must operate in the frequency range of this device.

- Only 50 ohm rated antennas, cables and passive components operating from 150 - 3 GHz shall be used with this device.

- The following notice: "The Manufacturer's rated output power of this equipment is for single carrier operation. For situations when multiple carrier signals are present, the rating would have to be reduced by 3.5 dB, especially where the output signal is re-radiated and can cause interference to adjacent band users. This power reduction is to be by means of input power or gain reduction and not by an attenuator at the output of the device."

- The head end unit must always be connected to the Base Station using a direct cabled connection. This system has not been approved for use with a wireless connection via server antenna to the base station.

- Access can only be gained by SERVICE PERSONS or by USERS who have been instructed about the reasons for the restrictions applied to the location and about any precautions that shall be taken; and

- Access is through the use of a TOOL or lock and key, or other means of security, and is controlled by the authority responsible for the location.

- Signal booster warning label message should include

WARNING. This is **NOT** a **CONSUMER** device. It is designed for installation by **FCC LICENSEES** and **QUALIFIED INSTALLERS**. You **MUST** have an **FCC LICENSE** or express consent of an FCC Licensee to operate this device. Unauthorized use may result in significant forfeiture penalties, including penalties in excess of \$100,000 for each continuing violation.

- Use of unauthorized antennas, cables, and/or coupling devices not conforming with ERP/EIRP and/or indoor-only restrictions is prohibited.

- Certification
 - FCC: This equipment complies with the applicable sections of Title 47 CFR Parts 15,22,24,27 and 90(Class B)

 - UL/CUL: This equipment complies with UL and CUL 1950-1 Standard for safety for information technology equipment,including electrical business equipment

 - FDA/CDRH: This equipment uses a Class 1 LASER according to FDA/CDRH Rules.This product conforms to all applicable standards of 21 CFR Chapter 1, Subchapter J, Part 1040

Section2

System Overview

2.1 Purpose

2.2 SMDR-NH124

2.1 Purpose

SMDR-NH124 is a coverage system for in-building services delivering voice and data in high quality and for seamlessly.

As a distributed antenna system, it provides analog and digital phone systems that are served in multiple bands through one antenna.

The system covers general public institutions and private facilities.

- Shopping malls
- Hotels
- Campus areas
- Airports
- Clinics
- Subways
- Multi-use stadiums, convention centers, etc.

The system helps improve in-building radio environments in poor condition and make better poor RSSI and Ec/Io. By providing communication services at every corner of buildings, the system enables users to make a call at any site of buildings.

The system uses both analog (AMPS) and digital (TDMA, CDMA and WCDMA) methods.

The SMDR-NH124 system supports communication standards and public interface protocols in worldwide use.

- Frequencies: VHF,UHF, 700MHz, 800MHz,850MHz 900MHz,1900MHz,2100MHz, etc.
- Voice protocols: AMPS,TDMA, CDMA,GSM,IDEN, etc.
- Data protocols: EDGE,GPRS,WCDMA,CDMA2000,Paging, etc.

SMDR-NH124 is in modular structure per frequency. To provide desired frequency in a building, all you need to do is to insert a corresponding frequency module into each unit. As it delivers multiple signals with one optical cable, the system, in one-body type, does not require additional facilities whenever new frequency is added.

The system is featured with the following:

- Flexibilitiy & Scalabilitiy
 - Support fiber-optic ports up to 39
 - Clustering multiple-buildings (campus) as one coverage
- Modular structures
 - Modular frequency upgrade
 - Plug-in type module
- Multi-Band, Multi Operator

- Signals with a plurality of service provider transmit simultaneously
- Support multi-operator in a band
- Low OPEX / CAPEX
 - Compact design
 - Upgradable design
 - Easy installation and maintenance
 - Web Based SNMP or GSM Modem or UDP support (Optional)

2.2 SMDR-NH124

ROU receives TX optical signals from ODU or OEU and converts them into RF signals. The converted RF signals are amplified through High Power Amp in a corresponding RDU, combined with Multiplexer module and then radiated to the antenna port.

When receiving RX signals through the antenna port, this unit filters out-of-band signals in a corresponding RDU and sends the results to Remote Optic Module to make electronic-optical conversion of them. After converted, the signals are sent to a upper device of ODU or OEU. ROU can be equipped with up to three RDUs (Remote Drive Unit) and the module is composed of maximal Dual Band.

2.3 Dimension

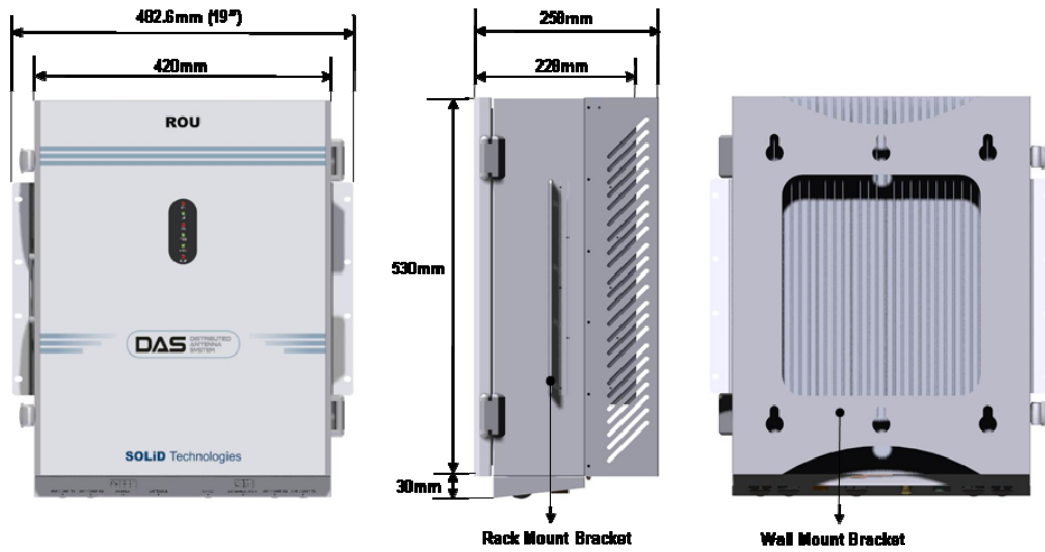


Figure 3.1 – ROU Outer Look

ROU is designed in a cabinet, and provides the following functions and features.

Item	Spec.	Remark
Size(mm)	482.6(19") x 258 x560,	Including Bracket
Weight	35.45 Kg	Full Load
Power consumption	265 W	
Operating Temperature	-10 to +50°C	Ambient Temperature

Section3

System Installation

3.1 ROU Installation

3.1.1 ROU Enclosure installation

ROU is designed to be water- and dirt-proof. The unit has the structure of One-Body enclosure.

It satisfies water-proof and quake-proof standards equivalent of NEMA4.

ROU can be mounted into either of a 19" Standard Rack or on a Wall.

Basically, ROU has both of a Wall Mount Bracket and a Rack Mount Bracket.

Depending on the use of the Rack Mount Bracket, the bracket can be removed.

The following shows dimension of the fixing point for the Wall Mount Bracket.



Figure 3.2 – How to install ROU

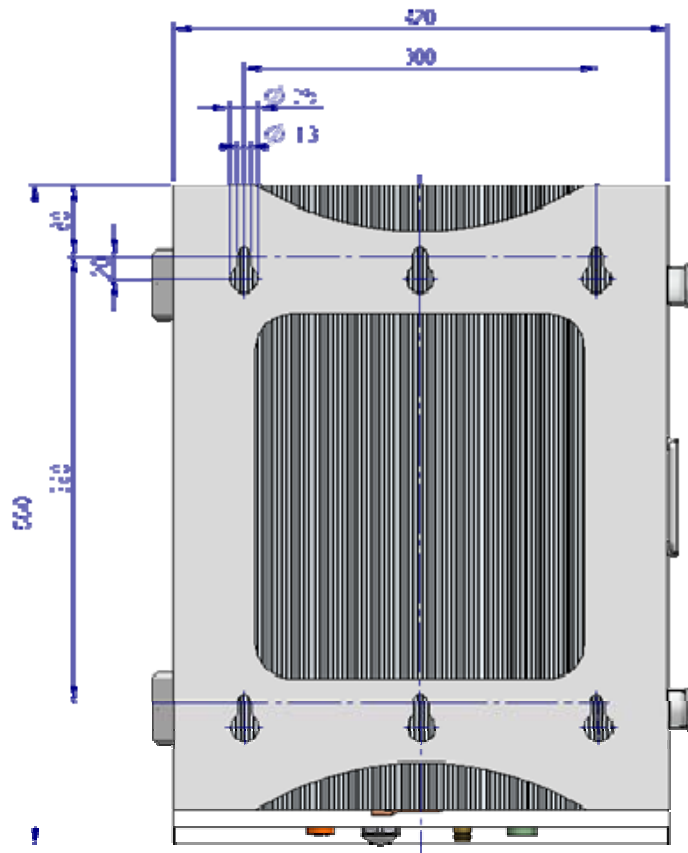


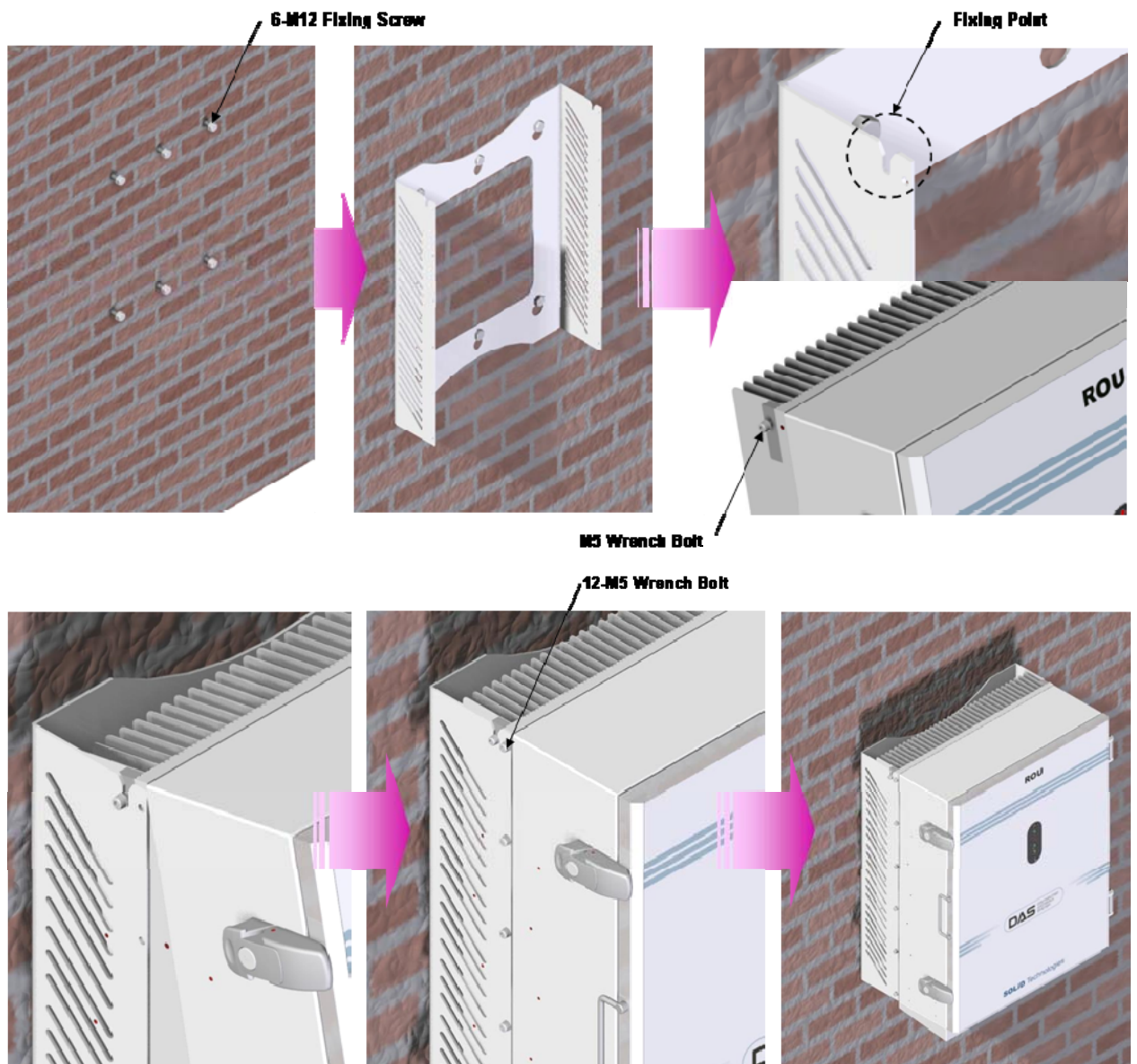
Figure 3.3 – Dimension used to install ROU on the WALL

ROU Wall Mount Installation

Turn M12 Fixing Screws by half on the wall and fully fix the screw with a Wall Mount Bracket on it.

For convenience, the Wall Mount Bracket has fixing holes to let you easily mount an enclosure.

Turn the M5 Wrench Bolt by half at each side of the Heatsink of the enclosure.

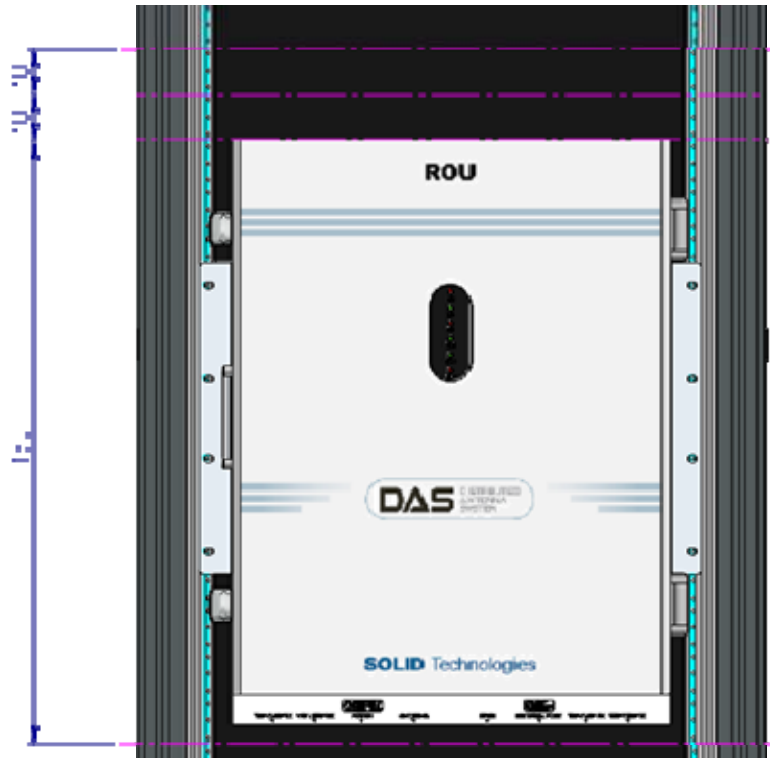


Put the enclosure with the M5 Wrench Bolt fixed on the fixing groove and fix the M5 Wrench Bolts into the remaining fixing holes.

In this case, you will use 12 M5 Wrench Bolts in total except bolts used for the fixing groove.

ROU Rack Mount Installation

Like other units, ROU is designed to be inserted into a rack. The unit occupies around 13U of space except cable connection.



ROU component

ROU has the following components:

No.	Unit	Description	Remark
Common Part	Enclosure	Including Rack & Wall cradle	1EA
	RCPU	-	1EA
	R_OPTIC	With SC/ACP adaptor	1EA
	RPSU	Alternative DC-48V or AC 120V	1EA
	Multi-Plexer	-	1EA
	Power Cable	- MS Connector with 3 hole to AC 120 plug(AC) - MS Connector with 2 lug termination(DC)	
Optional Part	RDU+BPF	800PS,800PS+900I+Paging,850C,850C+700PS, 1900P+ AWS-1 RDU, VHF+UHF(NO BPF),	Up to 3EA to be inserted

		850C+700LTEC, 700LTEF+850C 700LTEF SISO RDU, 700LTEF SISO RDU	
--	--	------------------------------------------------------------------	--

Basically, the common part of ROU should have an enclosure and it is equipped with R-CPU to inquire and control state of each module, R_OPTIC to make both of electronic-optical and optical-electronic conversions, RPSU to supply power for ROU and a Multi-Plexer to help share multiple TX/RX signals through one antenna. It should have Power Cable for external rectifier or to supply required power.

In addition, RDU can be inserted and removed to provide service for desired band (Optional).

3.1.2 ROU Power Cabling

ROU supports both of DC-48V and AC120V of input power. As RPSU for DC-48 and RPSU for AC120V are separated from each other, you need to select one of them in case of purchase order.

RPSU for DC -48V and RSPU for AC 120V have the same configuration and capacity while each of the units uses different input voltage from each other.

The following figure shows configuration of RPSUs for DC -48V and AC 120V.



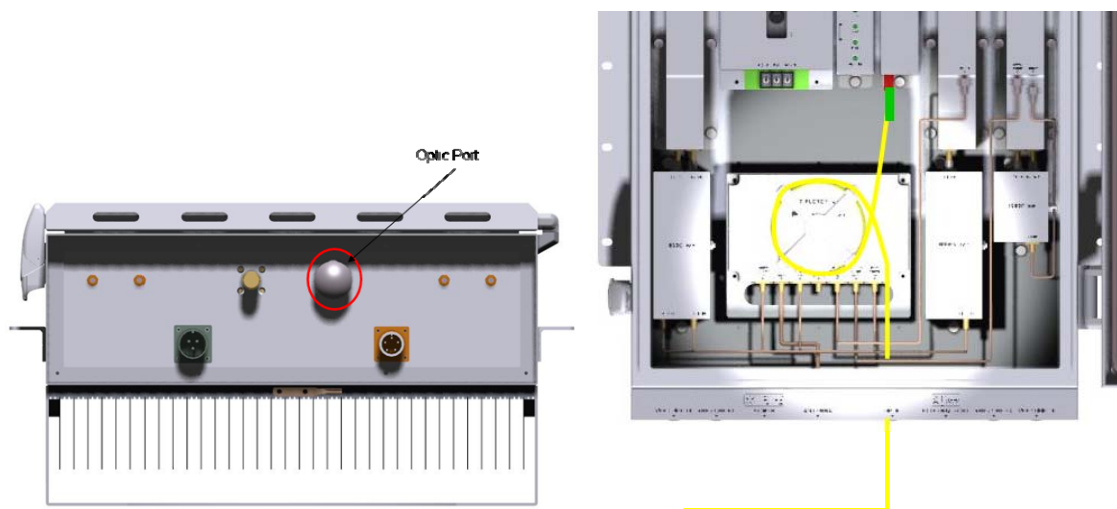
MC Connector numbering	Lug Naming		RPSU Terminal naming		Remark
	AC	DC	AC	DC	
A	AC_H	-48V	AC-H	-48V	
B	AC_N	GND	AC-N	IN_GND	
C	GND	DC NC	FG	FG	



Check if the connection is the same as one seen in the table above and make sure to turn the power ON.

3.1.3 Optical Cabling

ROU makes optical-electronic conversion of TX signals from upper ODU and OEU and makes electronic- optical conversion of RX signals. ROU has one optical module in it. As WDM is installed in the R_OPTIC module, two pieces of wavelength (TX:1310nm, RX:1550nm) can be sent/received with one optical core at the same time. ROU has SC/APC of optical adaptor type. For optical adaptor, SC/APC type can be used. To prevent the optical access part from being marred with dirt, it should be covered with a cap during move. When devices are connected through optical cables, you need to clear them using alcohol to remove dirt.



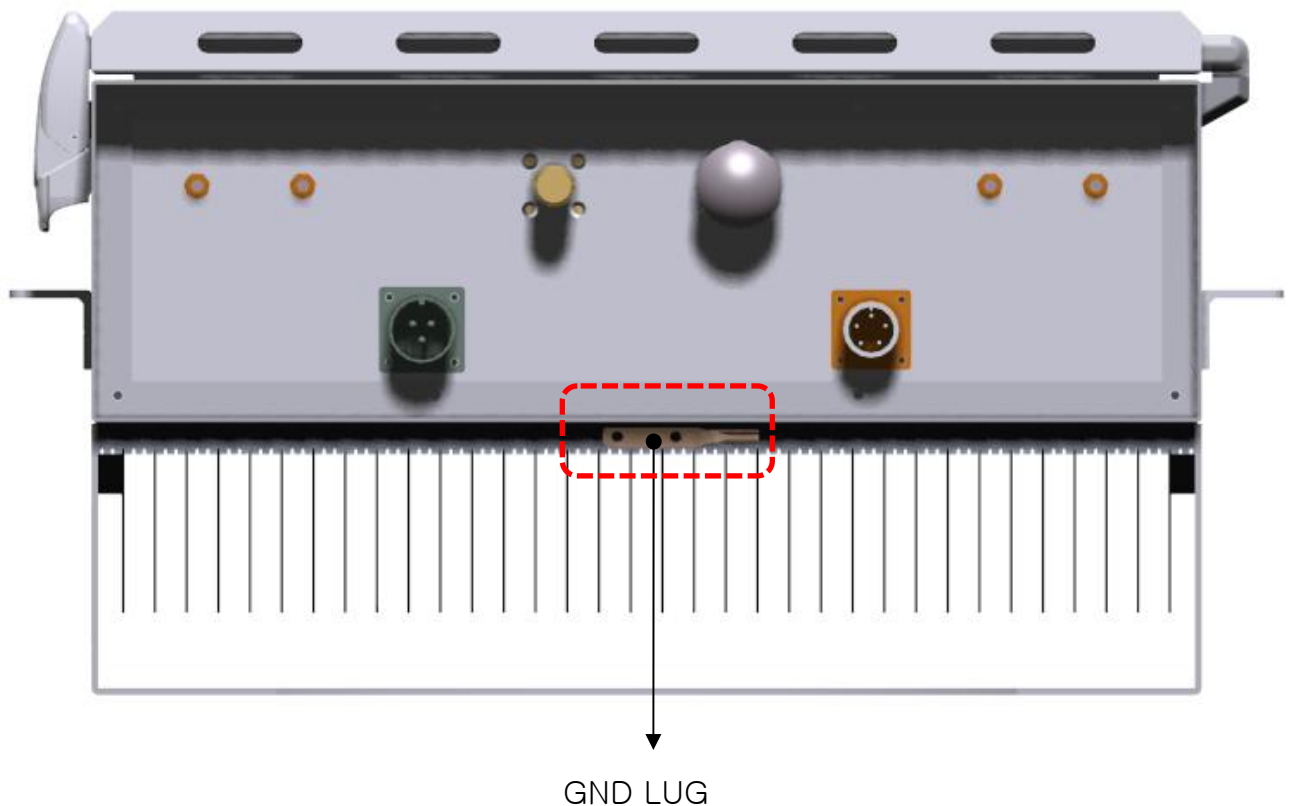
Optical cables should be inserted into Optic Port outside of ROU. Using an optical slack devices in ROU, you need to coil around one or two roll of cables to be connected with the optical adaptor of ROPTIC.

At this time, curvature of the optical cable should be at least $10\varnothing$ to prevent insertion loss from being increased.

Through GUI, check if PD value of ROPTIC is in a tolerable range (+4~-1dBm).

3.1.4 GND Terminal Connection

ROU has one GND terminal port where is on bottom side, like below



- Take off the GND terminal port from enclosure and connect to ground cable, then fix it the position of enclosure again
- The opposite end of the ground cable should connect to the communication GND of building

3.1.5 Coaxial cable and Antenna Connection

- The coaxial cables which are connected to antenna distributed network connect to antenna port of ROU. Before connection, check the VSWR value of coaxial cable whether it is within specification using SITEMASTER .
- At this time, check if the Return loss have above 15Db or VSWR have below 1.5
- The part of antenna connection fasten to port not to be loosed and not to be injected the dusty and insects
- The antenna connected to ROU is only serviced in inbuilding

3.1.6 Insertion of RDU

ROU has slots to enable up to three RDU modules to be inserted into the unit.

You can insert a RDU into any slot. It is not possible to provide services with a RDU module alone; you need to connect the module with Cavity BPF in any case.

The table below shows types of RDU and CAVITY BPF:

No	Unit naming	Cavity BPF	RF CABLE	Multiplexer Interface	
				TX	RX
1	RDU 800PS	800PS BPF	TX CABLE 1EA RX CABLE 1EA	BPF OUT	RDM RX IN
2	RDU 850C	850C BPF	TX CABLE 1EA RX CABLE 1EA	BPF TX OUT	BPF RX IN
3	RDU 1900P+AWS-1	1900P DUP	TX/RX CABLE 1EA	RDM AWS+1900P	
4	RDU 800PS+900I+PA	800PS+900I+PA BPF	TX CABLE 1EA RX CABLE 1EA	RDM TX OUT	RDM RX IN
5	RDU 850C+700PS	850C+700PS BPF	TX CABLE 1EA RX CABLE 1EA	RDM TX OUT	RDM RX IN
6	RDU 850C+700PS(D)	850C+700PS BPF	TX CABLE 1EA RX CABLE 1EA	RDM TX OUT	RDM RX IN
7	RDU VHF+UHF	-	TX CABLE 1EA RX CABLE 1EA	-	-
8	RDU E-VHF+UHF	-	TX CABLE 1EA RX CABLE 1EA	-	-
9	RDU 850C+700LTEC	850C+700LTEC BPF	TX CABLE 1EA RX CABLE 1EA	RDM TX OUT	RDM RX IN

10	RDU 700LTEF+850C	700LTEF+850C BPF	TX CABLE 1EA RX CABLE 1EA	RDM TX OUT	RDM RX IN
11	RDU 700LTEF SISO	700LTEF SISO BPF	TX CABLE 1EA RX CABLE 1EA	RDM TX OUT	RDM RX IN
12	RDU 700LTEF MIMO	700LTEF SISO BPF	TX CABLE 2EA RX CABLE 1EA	RDM TX OUT	RDM RX IN
13	1900P(MIMO)+ AWS-1(MIMO)	1900P DUP	TX/RX CABLE 1EA	RDM AWS+1900P	

3.1.7 RDU Specifications Per band

Standard	Unit naming	Description	Frequency range	
			TX(MHz)	RX(MHz)
iDEN	700P	Public safety	758 to 775	793 to 805
	700PS(D)	Public safety	763 to 775	788 to 805
iDEN	800P	Public safety	851 to 869	806 to 824
Cellular	850C	Cellular	869 to 894	824 to 849
Iden	900I	SMR	929 to 940	896 to 902
Paging	900 PA	Paging	929 to 930	896 to 902
PCS	1900P	PCS	1930 to 1995	1850 to 1915
AWS-1	AWS-1	AWS-1	2110 to 2155	1710 to 1755
TDD LTE	2.5TDD	TDD	2497.8~2687.4	2497.8~2687.4
-	VHF	Public safety	136 to 174	136 to 174
-	UHF	Public safety(Band1)	396 to 450 450 to 512	396 to 450 450 to 512
		Public safety(Band2)	380 to 434 434 to 496	380 to 434 434 to 496
LTE	700LTE	Long Term Evolution	728 to 757	699 to 716 777 to 787

700MHz Long Term Evolution

Parameters	Typical		Remarks
	TX	RX	
Bandwidth	29MHz	28MHz	
Output power	+23dBm	+0dBm	Total
System Gain	43dB	50dB	
input and output impedances	50 ohm	50 ohm	

700MHz Long Term Evolution (MIMO)

Parameters	Typical		Remarks
	TX	RX	
Bandwidth	29MHz	28MHz	
Output power	+25dBm	+0dBm	Total
System Gain	45dB	50dB	
input and output impedances	50 ohm	50 ohm	

700MHz Public safety

Parameters	Typical		Remarks
	TX	RX	
Bandwidth	12MHz	12MHz	
Output power	+23dBm	+0dBm	Total
System Gain	43dB	50dB	
input and output impedances	50 ohm	50 ohm	

700MHz Public safety (D Block)

Parameters	Typical		Remarks
	TX	RX	
Bandwidth	17MHz	17MHz	
Output power	+23dBm	+0dBm	Total
System Gain	43dB	50dB	
input and output impedances	50 ohm	50 ohm	

800MHz Public safety

Parameters	Typical		Remarks
	TX	RX	
Bandwidth	18MHz	18MHz	
Output power	+23dBm	+0dBm	Total
System Gain	43dB	50dB	
input and output impedances	50 ohm	50 ohm	

850MHz Cellular

Parameters	Typical		Remarks
	TX	RX	
Bandwidth	25MHz	25MHz	
Output power	+23dBm	+0dBm	Total
System Gain	43dB	50dB	
input and output impedances	50 ohm	50 ohm	

900MHz iDEN & Paging

Parameters	Typical		Remarks
	TX	RX	
Bandwidth	12MHz	6MHz	
Output power	+23dBm	+0dBm	Total
System Gain	43dB	50dB	
input and output impedances	50 ohm	50 ohm	

1900MHz PCS

Parameters	Typical		Remarks
	TX	RX	
Bandwidth	65MHz	65MHz	
Output power	+26dBm	+0dBm	Total
System Gain	46dB	50dB	

input and output impedances	50 ohm	50 ohm	
-----------------------------	--------	--------	--

1900MHz PCS(MIMO)

Parameters	Typical		Remarks
	TX	RX	
Bandwidth	65MHz	65MHz	
Output power	+30dBm	+0dBm	Total
System Gain	50dB	50dB	
input and output impedances	50 ohm	50 ohm	

1700MHz&2100MHz AWS-1

Parameters	Typical		Remarks
	TX	RX	
Bandwidth	45MHz	45MHz	
Output power	+26dBm	+0dBm	Total
System Gain	46dB	50dB	
input and output impedances	50 ohm	50 ohm	

1700MHz&2100MHz AWS-1(MIMO)

Parameters	Typical		Remarks
	TX	RX	
Bandwidth	45MHz	45MHz	
Output power	+30dBm	+0dBm	Total
System Gain	50dB	50dB	
input and output impedances	50 ohm	50 ohm	

150MHz VHF Public safety

Parameters	Typical		Remarks
	TX	RX	
Bandwidth	38MHz	38MHz	136-174MHz
Output power	+24dBm	-4dBm	Total
System Gain	39dB	50dB	

input and output impedances	50 ohm	50 ohm	
-----------------------------	--------	--------	--

450MHz UHF Public safety

Parameters	Typical		Remarks
	TX	RX	
Bandwidth(Band1)	116MHz	116MHz	396~450MHz(54MHz) 450~512MHz(62MHz) Band selection
Bandwidth(Band2)	116MHz	116MHz	380~434MHz(54MHz) 434~496MHz(62MHz) Band selection
Output power	+24dBm	-4dBm	Total
System Gain	39dB	50dB	
input and output impedances	50 ohm	50 ohm	

2.5TDD

Parameters	Typical		Remarks
	TX	RX	
Bandwidth	189.6MHz	189.6MHz	
Output power	+30dBm	-20dBm	Total
System Gain	50dB	30dB	
input and output impedances	50 ohm	50 ohm	

RSS-GEN, Sec. 7.1.2 – (transmitters)

Under Industry Canada regulations, this radio transmitter may only operate using an antenna of a type and maximum (or lesser) gain approved for the transmitter by Industry Canada. To reduce potential radio interference to other users, the antenna type and its gain should be so chosen that the equivalent isotropically radiated power (e.i.r.p.) is not more than that necessary for successful communication.

Conformément à la réglementation d'Industrie Canada, le présent émetteur radio peut fonctionner avec une antenne d'un type et d'un gain maximal (ou inférieur) approuvé pour l'émetteur par Industrie Canada. Dans le but de réduire les risques de brouillage radioélectrique à l'intention des autres utilisateurs, il faut choisir le type d'antenne et son gain de sorte que la puissance isotrope rayonnée équivalente (p.i.r.e.) ne dépasse pas l'intensité nécessaire à l'établissement d'une communication satisfaisante.

RSS-GEN, Sec. 7.1.2 – (detachable antennas)

This radio transmitter (identify the device by certification number, or model number if Category II) has been approved by Industry Canada to operate with the antenna types listed below with the maximum permissible gain and required antenna impedance for each antenna type indicated. Antenna types not included in this list, having a gain greater than the maximum gain indicated for that type, are strictly prohibited for use with this device.

Le présent émetteur radio (identifier le dispositif par son numéro de certification ou son numéro de modèle s'il fait partie du matériel de catégorie I) a été approuvé par Industrie Canada pour fonctionner avec les types d'antenne énumérés ci-dessous et ayant un gain admissible maximal et l'impédance requise pour chaque type d'antenne. Les types d'antenne non inclus dans cette liste, ou dont le gain est supérieur au gain maximal indiqué, sont strictement interdits pour l'exploitation de l'émetteur.

RF Radiation Exposure

This equipment complies with RF radiation exposure limits set forth for an uncontrolled environment. This equipment should be installed and operated with a minimum distance of 200 cm between the radiator and your body. This transmitter must not be co-located or operating in conjunction with any other antenna or transmitter. RF exposure will be addressed at time of installation and the use of higher gain antennas may require larger separation distances.

RSS-102 RF Exposure

L'antenne (ou les antennes) doit être installée de façon à maintenir à tout instant une distance minimum de au moins 200 cm entre la source de radiation (l'antenne) et toute personne physique. Cet appareil ne doit pas être installé ou utilisé en conjonction avec une autre antenne ou émetteur.

Warning Statement

Antennas must be installed in accordance with FCC 27.50 and SRSP-517. The height of the antenna above average terrain (HAAT) is permitted over 1372m. For different gain antennas refer to the relevant rules.