



FCC ID : W6U19PAWS13/IC:9354A-19PAWS13

---

## EXTERNAL PHOTOGRAPHS

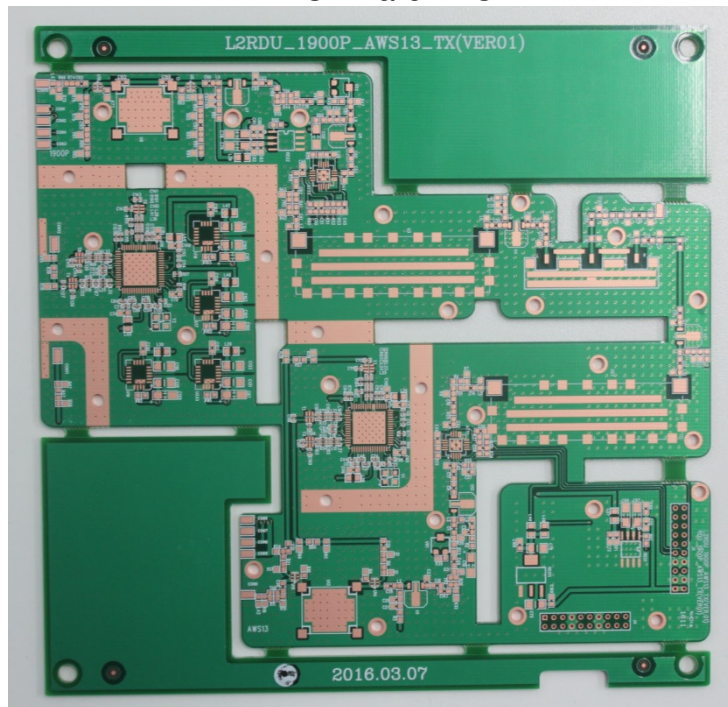
---

---

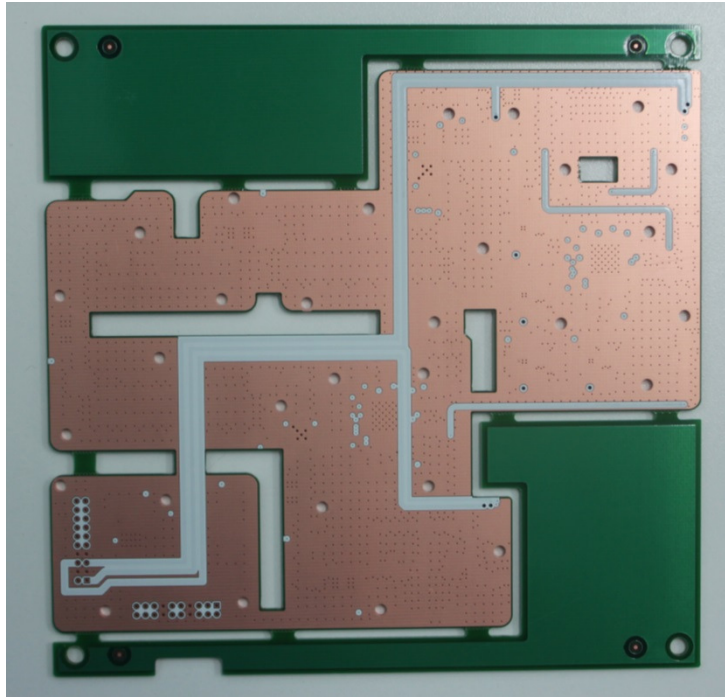
**HCT CO., LTD.**

74, Seoicheon-ro 578beon-gil, Majang-myeon, Icheon-si, Gyeonggi-do, Korea  
TEL:+82 31 645 6467 FAX:+82 31 645 6401 www.hct.co.kr

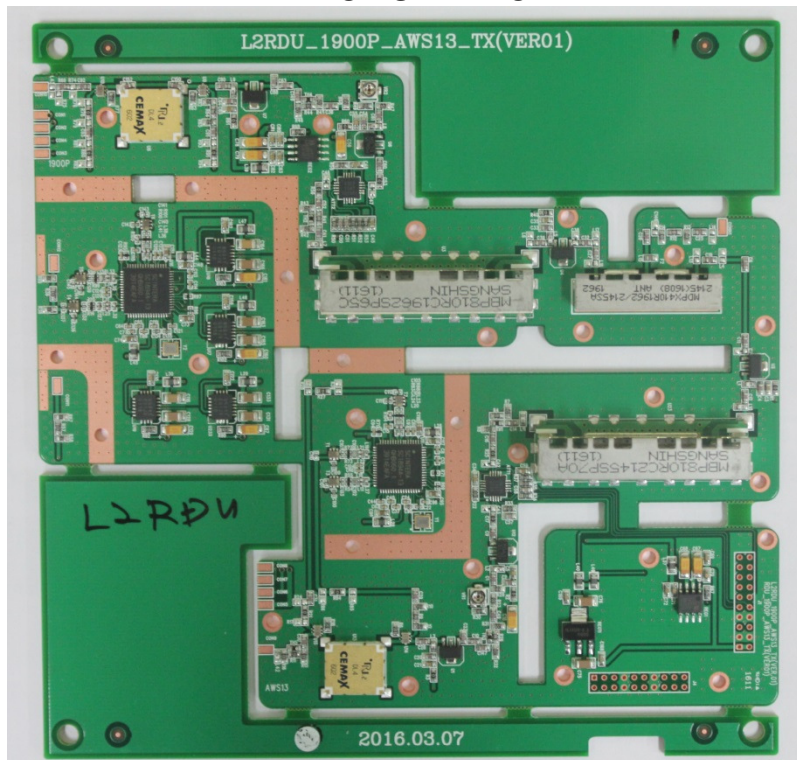
DL PCB Bare - TOP



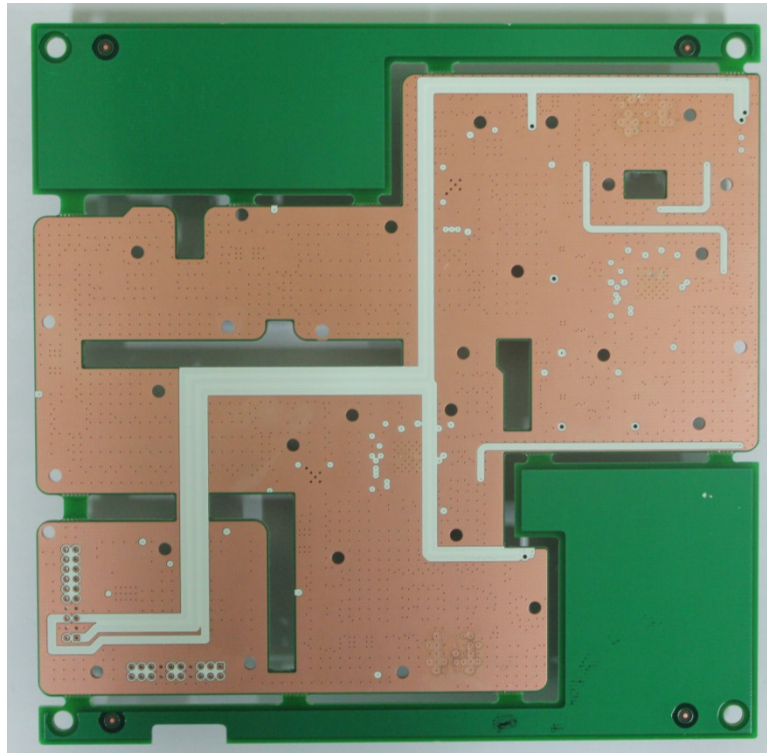
DL PCB Bare - BOTTOM



DL PCB SMT - TOP

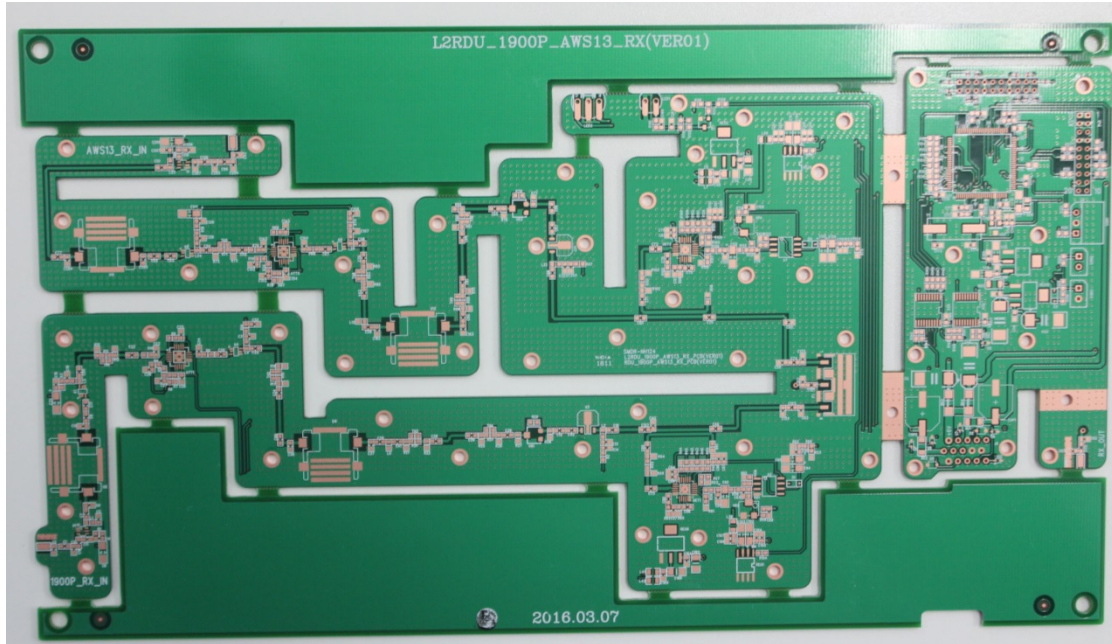


DL PCB SMT - BOTTOM

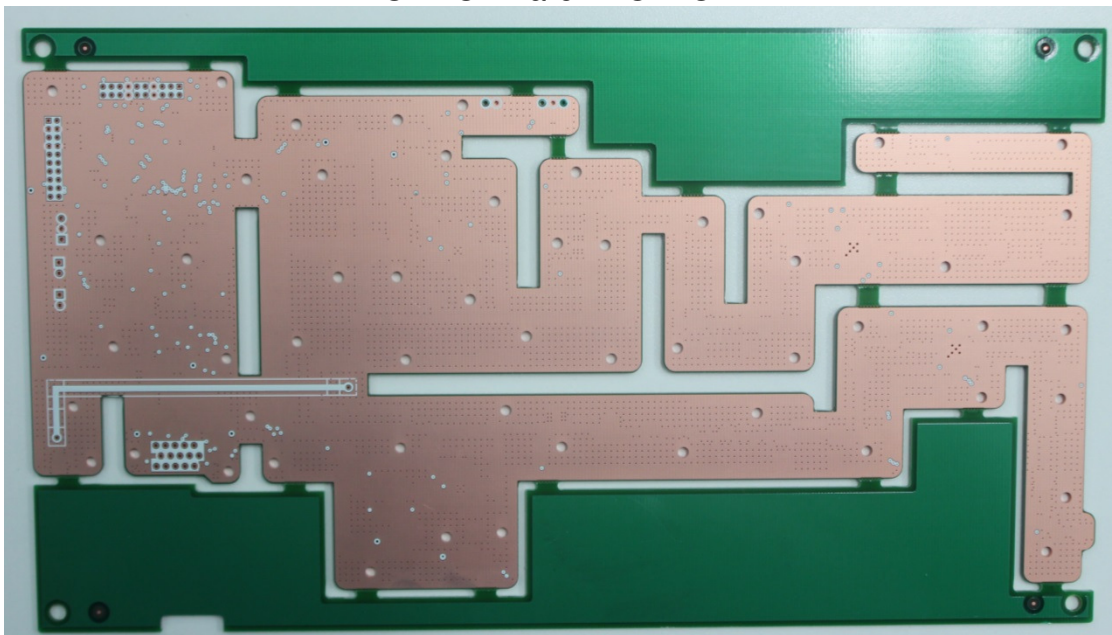




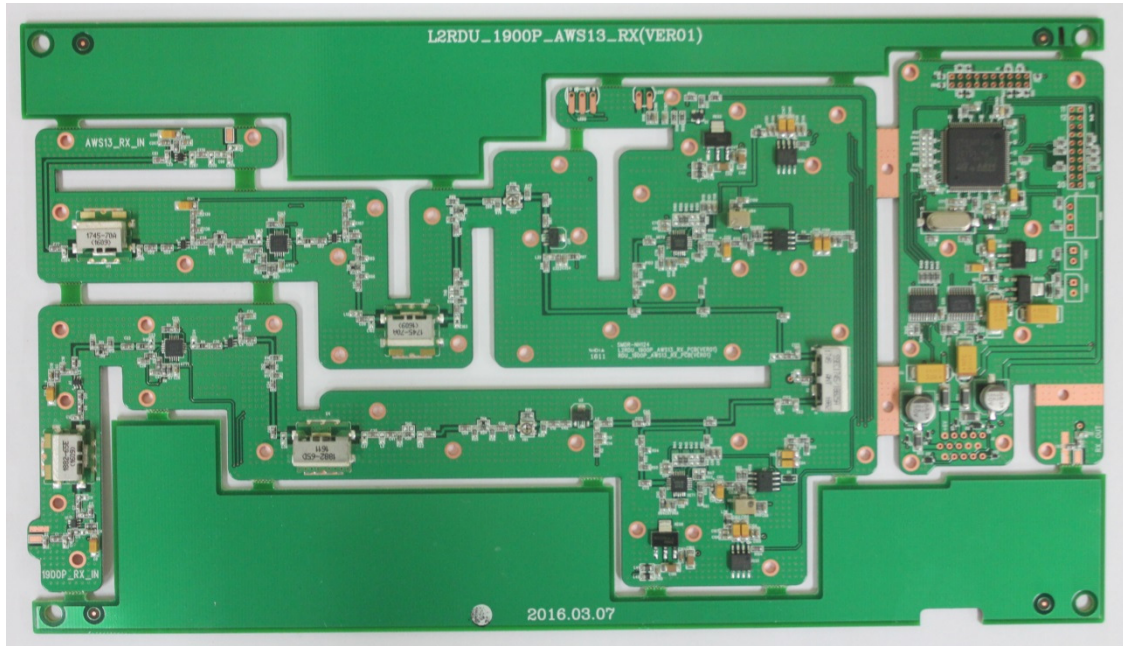
UL PCB Bare - TOP



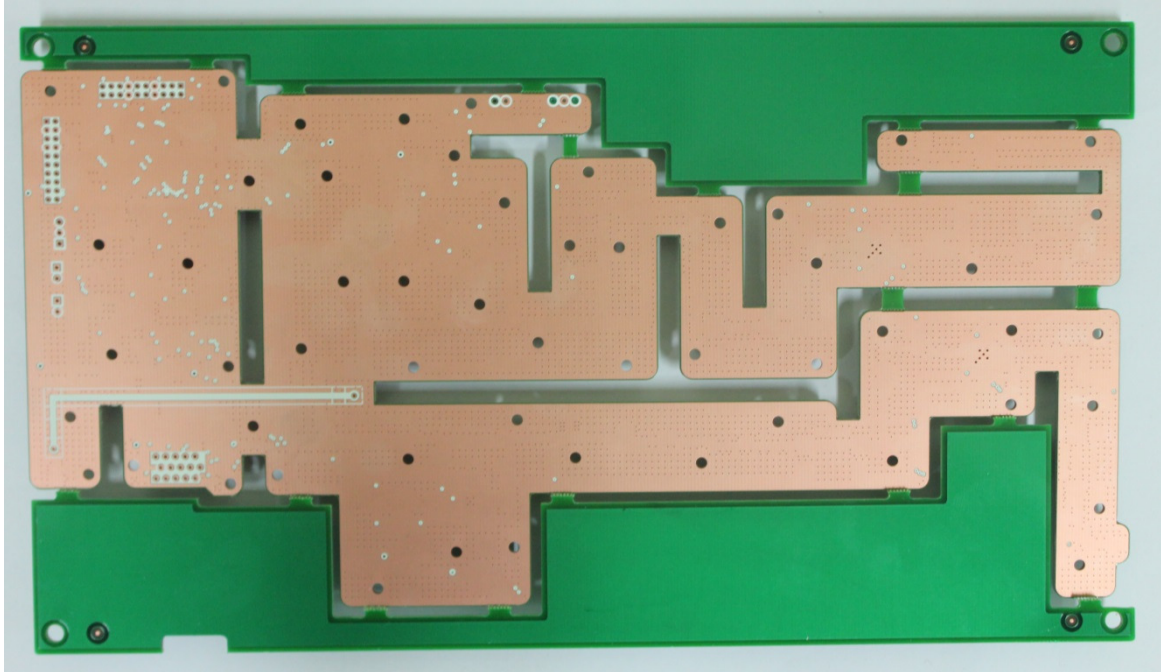
UL PCB Bare - BOTTOM



UL PCB SMT - TOP

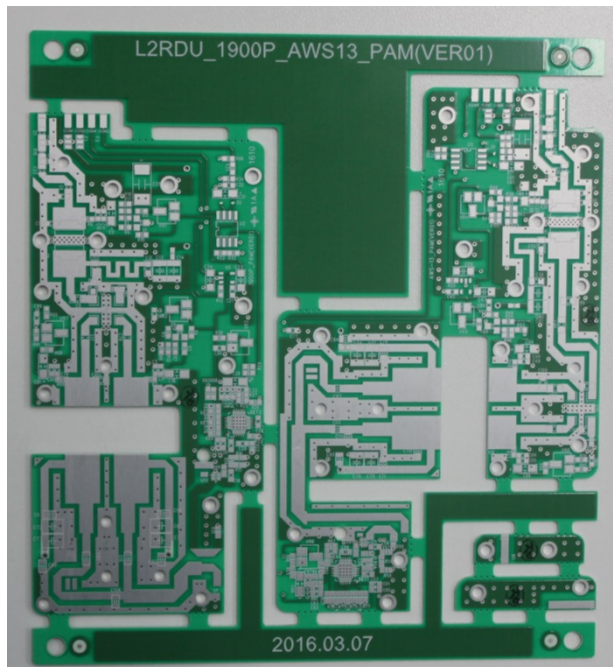


UL PCB SMT - BOTTOM

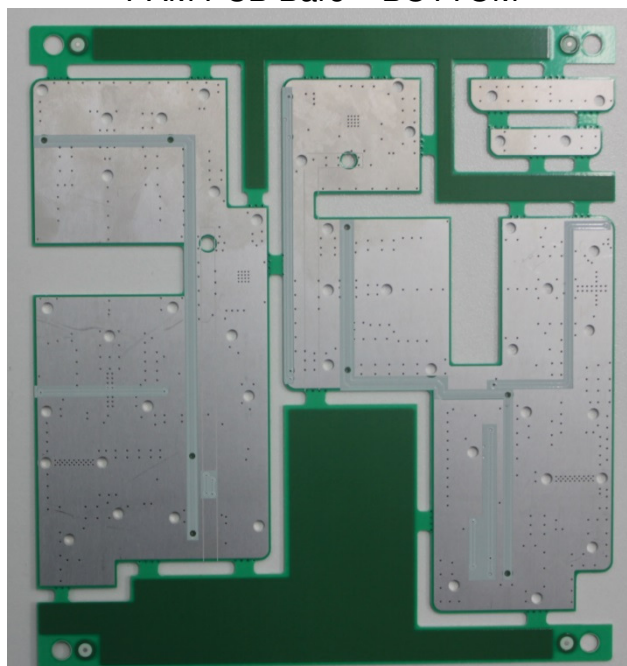


PAM PCB Bare – TOP



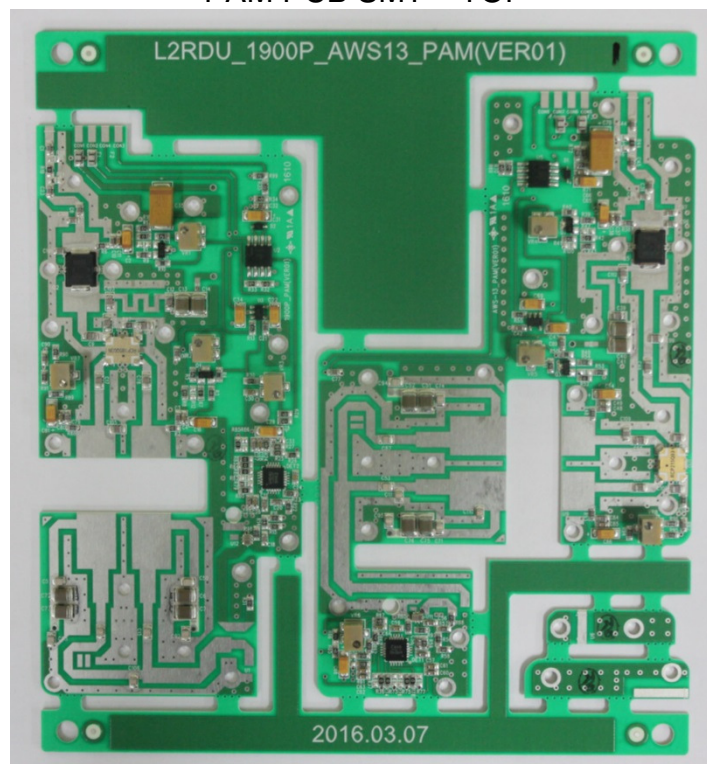


PAM PCB Bare – BOTTOM





PAM PCB SMT – TOP



PAM PCB SMT – BOTTOM

