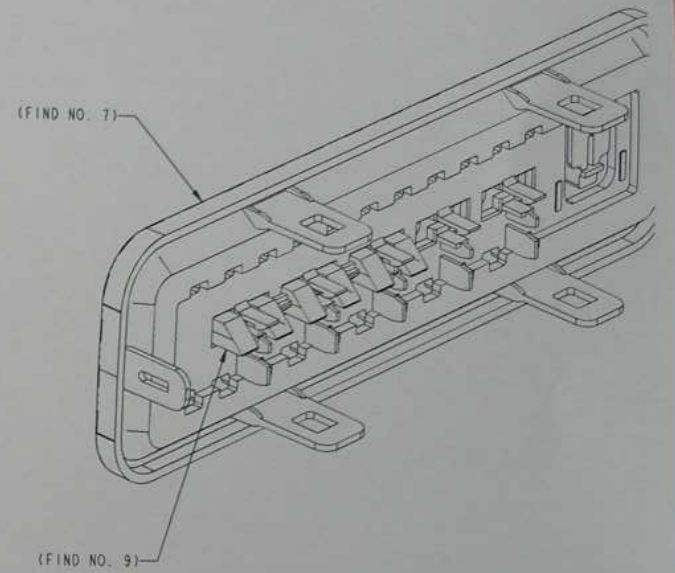
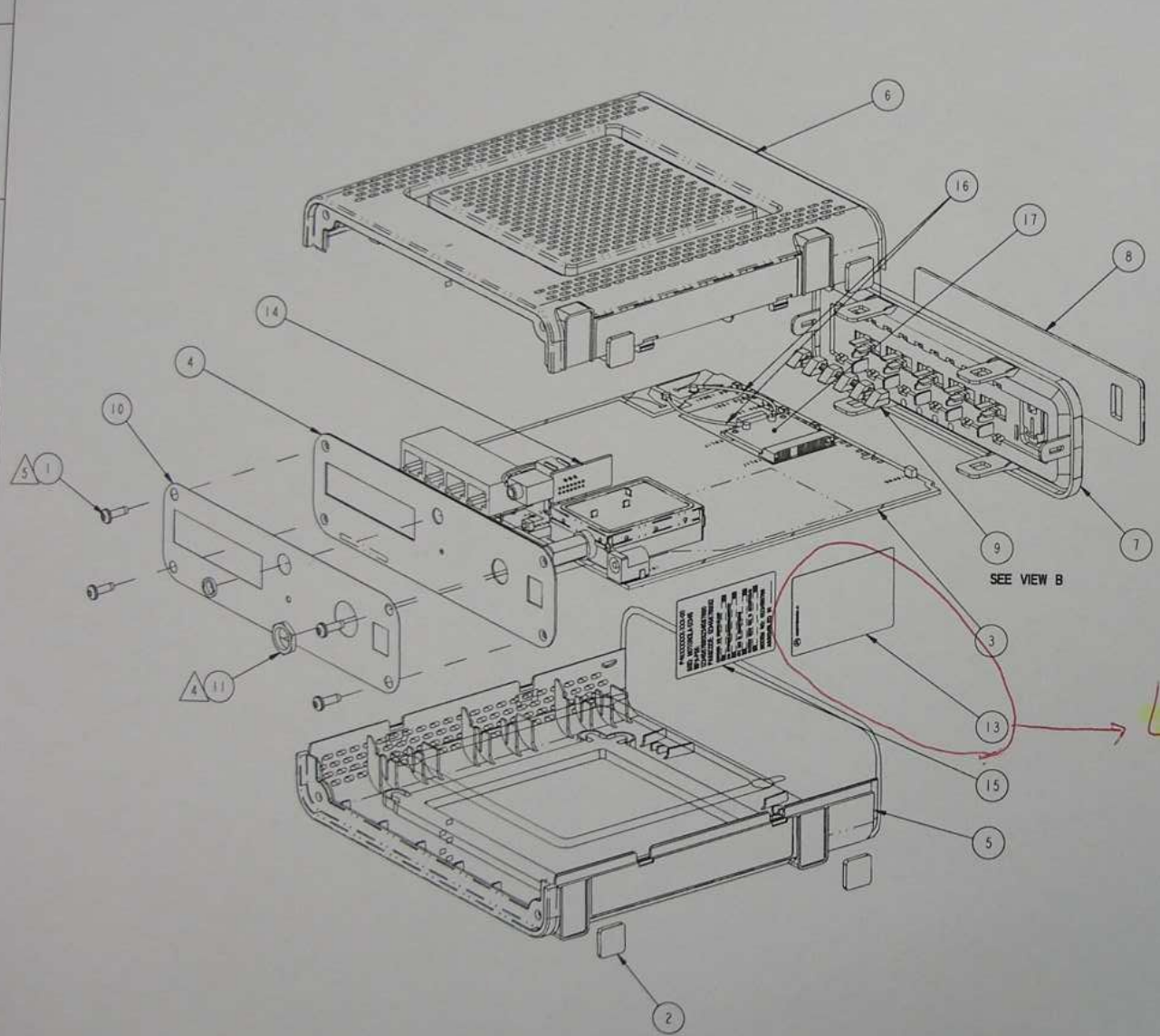


H  
G  
F  
E  
D  
C  
B  
A



SEE VIEW B

Label location

-002 SHOWN  
ALL CONFIGURATIONS THE SAME EXCEPT AS  
INDICATED IN BILL OF MATERIALS

REFER TO SHEET 1 OF THIS PRINT FOR PART NUMBER STATUS, REVISION HISTORY, COPYRIGHT	SIZE A1	CASE CODE	DRAWING NO. 5707
--	------------	-----------	---------------------