



**GATEKEEPER<sup>®</sup>**  
**SYSTEMS**

## **Transmitter Module (D-9000A-SMT)** **User Manual**



## **INSTRUCTION TO THE USER**

This equipment has been tested and found to comply with the limits for a class B digital device, pursuant to part 15 of the FCC rules. These limits are designed to provide reasonable protection against harmful interference in a typical installation. This equipment generates, uses and can radiate radio frequency energy and if not installed and used in accordance with the instructions, may cause harmful interference to radio communications. However, there is no guarantee that interference will not occur in a particular installation. If this equipment does cause harmful interference to radio or television reception, which can be determined by turning the equipment off and on, the user is encouraged to try to correct the interference by one or more of the following measures:

- Reorient or relocate the receiving antenna on the device experiencing the interference
- Increase the separation between the equipment and receiver.
- Connect the equipment into an outlet on a circuit different from that to which this device is connected
- Consult the dealer or experienced technician for the device experiencing the interference

In order to maintain compliance with FCC regulations, no changes can be made to this equipment without the approval of Gatekeeper Systems, Inc. The user is cautioned that any changes or modifications made to the equipment without the approval of Gatekeeper Systems, Inc. could void the user's authority to operate this equipment.

Warning: Changes or modifications to this unit not expressly approved by the party responsible for compliance could void the user authority to operate the equipment.

This device complies with Part 15 of the FCC Rules. Operation is subject to the following two conditions: (1) this device may not cause harmful interference, and (2) this device must accept any interference received, including interference that may cause undesired operation.

### *IC / ISED statements:*

*This device contains licence-exempt transmitter(s)/receiver(s) that comply with Innovation, Science and Economic Development Canada's licence-exempt RSS(s).*

*Operation is subject to the following two conditions:*

- 1. This device may not cause interference.*
- 2. This device must accept any interference, including interference that may cause undesired operation of the device.*

*L'émetteur/récepteur exempt de licence contenu dans le présent appareil est conforme aux CNR d'Innovation, Sciences et Développement économique Canada applicables aux appareils radio exempts de licence. L'exploitation est autorisée aux deux conditions suivantes :*

- 1. L'appareil ne doit pas produire de brouillage;*
- 2. L'appareil doit accepter tout brouillage radioélectrique subi, même si le brouillage est susceptible d'en compromettre le fonctionnement.*

### **Declaration of Conformity (RED)**

Hereby, we declare that the radio equipment type model D-9000A-SMT is in compliance with Radio Equipment Directive (RED) 2014/53/EU. The relevant harmonized test standards are listed:

ETSI EN 300 440 V2.1.1 (2017-03), EN 62368-1:2014, EN 62479: 2010  
Draft ETSI EN 301 489-1 V2.2.0(2017-03), Draft ETSI EN 301 489-17 V3.2.0(2017-03)

The suggested ambient temperature is around 0°C to 40°C



## 1. Transmitter Module:

The Gatekeeper Systems D-9000A-SMT Transmitter Module contains a 2.4GHz transceivers used to send commands to the Gatekeeper Systems wheels and communicate with Gatekeeper Athena wheel and module.

## 2. Transmitter Module details:

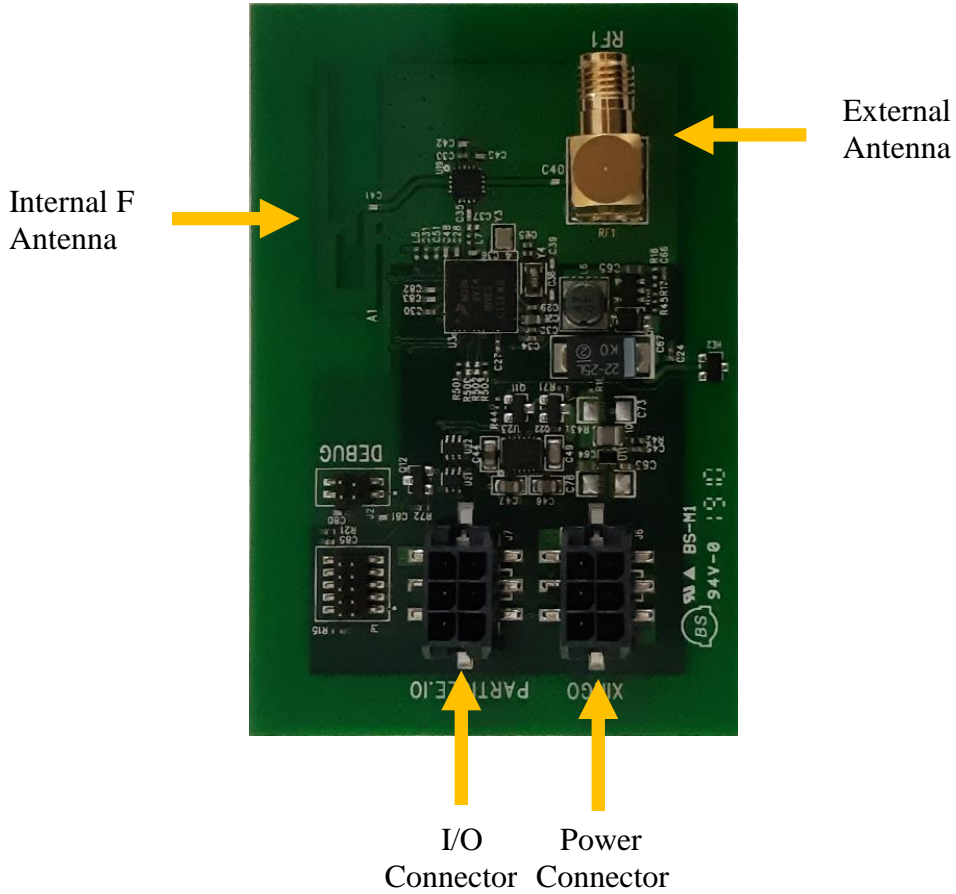


Table 1: Power Connector

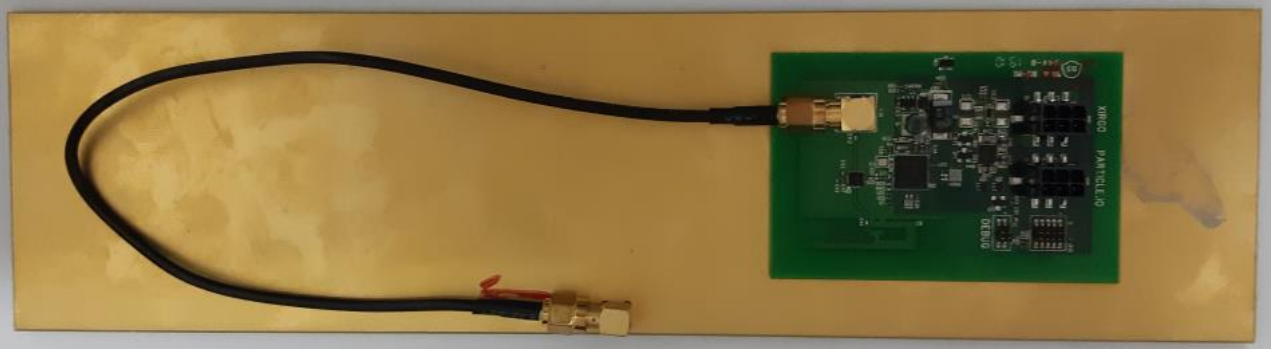
Connector Terminal	Description
1	HEARTBEAT, MAX current, 50mA
2	GND
3	VCC IN
4	GND
5	RS232 TX
6	RS232 RX

Table 2: I/O Connector (Particle.IO)

Connector Terminal	Description
1	RESET
2	GND
3	3.3VDC IN
4	GND
5	UART TX
6	UART RX

**Installation**

Stick to the back side of the antenna or any plastic housing by tape



## **Contacting Gatekeeper Systems**

---

For more information about the Long Range Transmitter 2 and troubleshooting, to order parts or report an issue, contact the Gatekeeper Systems Inc. regional Customer Support office nearest to your location.

### **Hong Kong**

Gatekeeper Systems (HK), Ltd.  
36/F, Tower 2, Times Square  
1 Matheson Street, Causeway Bay, Hong Kong

### **USA**

Gatekeeper Systems, Inc.  
90 Icon  
Foothill Ranch, CA 92610 USA  
(888) 808-9433

### **Canada**

Gatekeeper Systems Canada, Ltd.  
272 Galaxy Boulevard  
Etobicoke, Ontario  
Canada  
M9W 5R8  
(888) 525-3564