

Coulomb CT1000 Bollard Smartlet Installation Instructions

Part Number: 75-001002-01

Revision 0.1

Copyright

Copyright© 2008 Coulomb Technologies, Inc. All rights reserved.

This material is protected by the copyright laws of the United States and other countries. It may not be modified, reproduced or distributed without the prior, express written consent of Coulomb Technologies, Inc.

Safety and Compliance

This manual only covers installation of Coulomb's Smartlet™ Charging Station and should not be used for any other product. Before installing the Smartlet Charging Station, you should review this manual carefully and consult with a licensed contractor, licensed electrician and trained installation expert to ensure compliance with local building practices, climate conditions, safety standards, and state and local codes.

The Smartlet Charging Station should be installed only by a licensed contractor and a licensed electrician and in accordance with the U.S. National Electric Code and the National Fire Protection Association codes and standards. The Smartlet Charging Station should be inspected by an authorized installer prior to the initial use.

Under no circumstances will compliance with the information in this manual relieve the user of his/her responsibility for compliance with all applicable codes or safety standards.

No Guarantee as to Accuracy

Reasonable effort was made to ensure that the specifications and other information in this manual were accurate and complete at the time of its publication. However, the specifications and other information in this manual are subject to change at any time without prior notice.

Warranty Information and Disclaimer

Your use of or modification to the Smartlet Charging Station in a manner in which the Smartlet Charging Station is not intended to be used or modified will void the limited warranty. Other than any such limited warranty, the Coulomb products are provided "AS IS," and Coulomb and its distributors expressly disclaim all implied warranties, including any warranty of design, merchantability, fitness for a particular purposes and non-infringement, to the maximum extent permitted by law.

Limitation of Liability

IN NO EVENT SHALL COULOMB TECHNOLOGIES, INC. OR ITS AUTHORIZED DISTRIBUTORS BE LIABLE FOR ANY INDIRECT, INCIDENTAL, SPECIAL, PUNITIVE, OR CONSEQUENTIAL DAMAGES, INCLUDING WITHOUT LIMITATION LOST PROFITS, LOST DATA, LOSS OF USE, COST OF COVER, OR LOSS OR DAMAGE TO THE SMARTLET CHARGING STATION, ARISING OUT OF OR RELATING TO THE USE OR INABILITY TO USE THIS MANUAL, EVEN IF COULOMB TECHNOLOGIES, INC. OR ITS AUTHORIZED DISTRIBUTORS HAVE BEEN ADVISED OF THE POSSIBILITY OF SUCH DAMAGES.

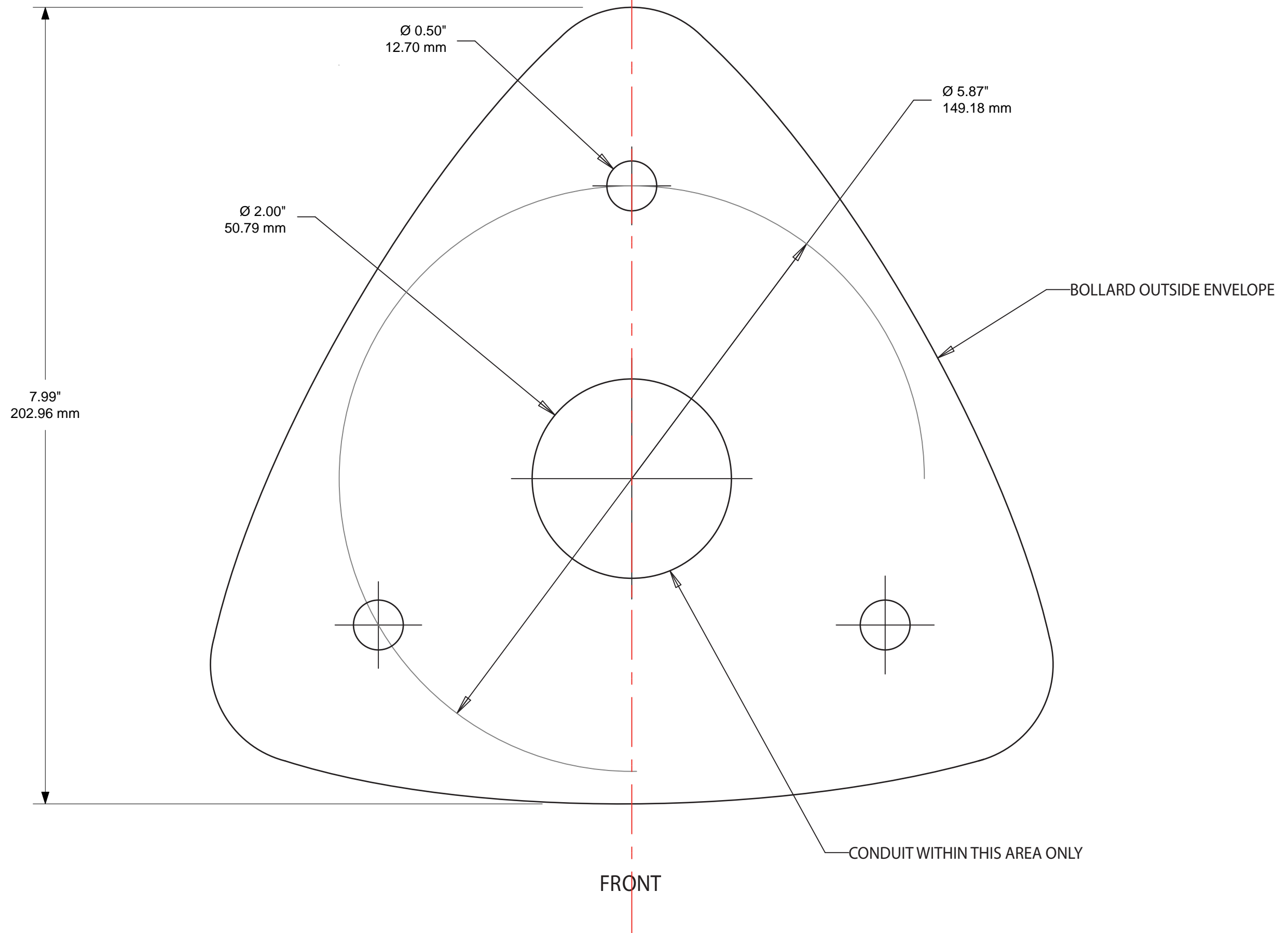
Trademarks

COULOMB TECHNOLOGIES, SMARTLET, and CHARGEPOINT are trademarks or service marks of Coulomb Technologies, Inc in the U.S. and other countries. All other trademarks or service marks mentioned in this manual or on the Coulomb Technologies, Inc. website are the property of their respective owners.

CT1000 Bollard Base Plate Template

Use this template to properly space the J-Bolts and conduit piping while casting the footing in place.

NOT TO SCALE





Required Hardware: (installer supplied)

Torx Driver T15 Torx 3" Blade Length 7-1/2", Tamper Resistant

Components and Parts: Head Module Installation Kit

(shipped to installer)



Rust Sealer

Installer supplied:

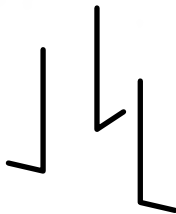
1. Schedule 40
Galvanized pipe
3 1/2" OD - 3" ID
24" Long



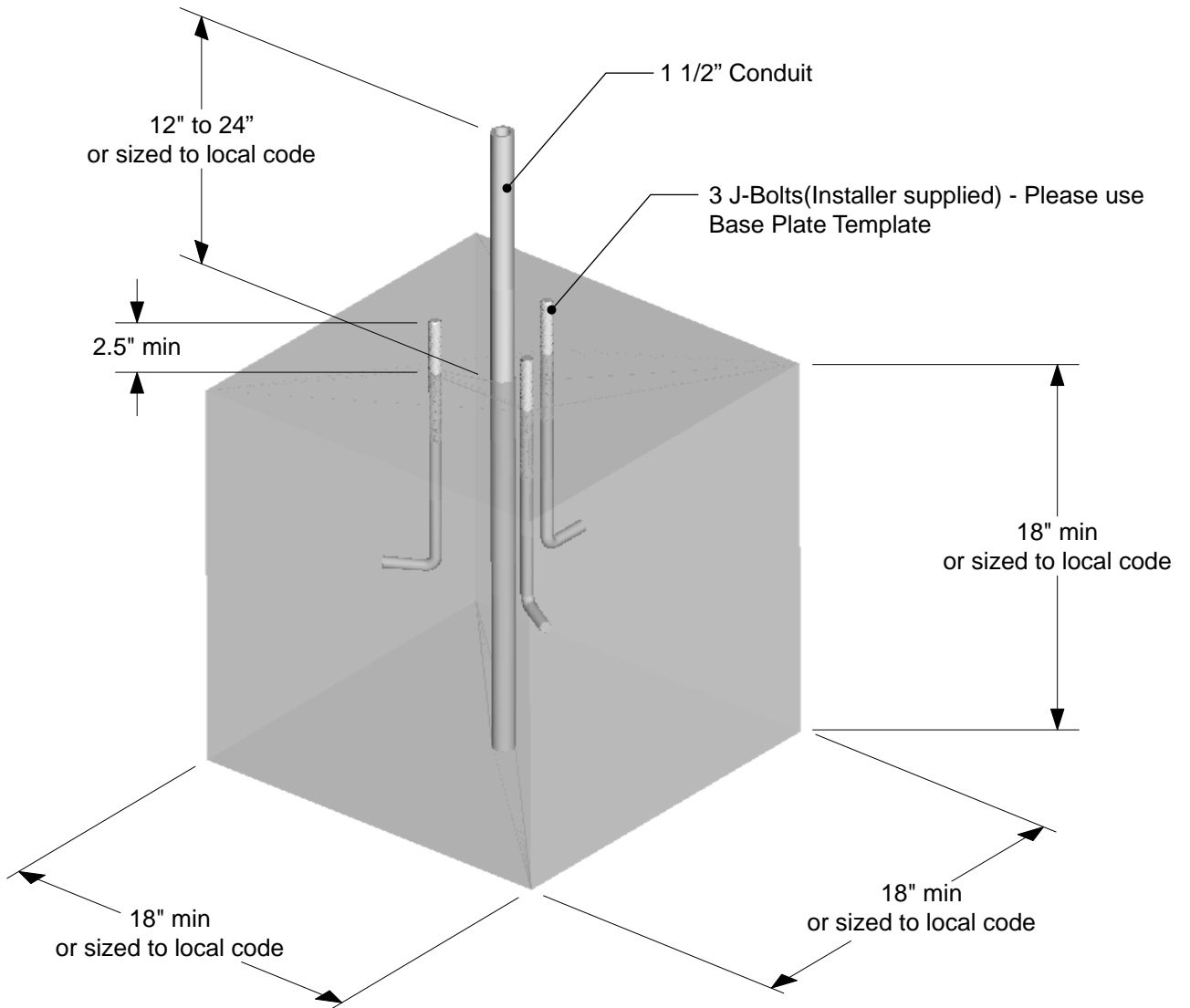
2. Nuts and washers
(to match J-Bolts)



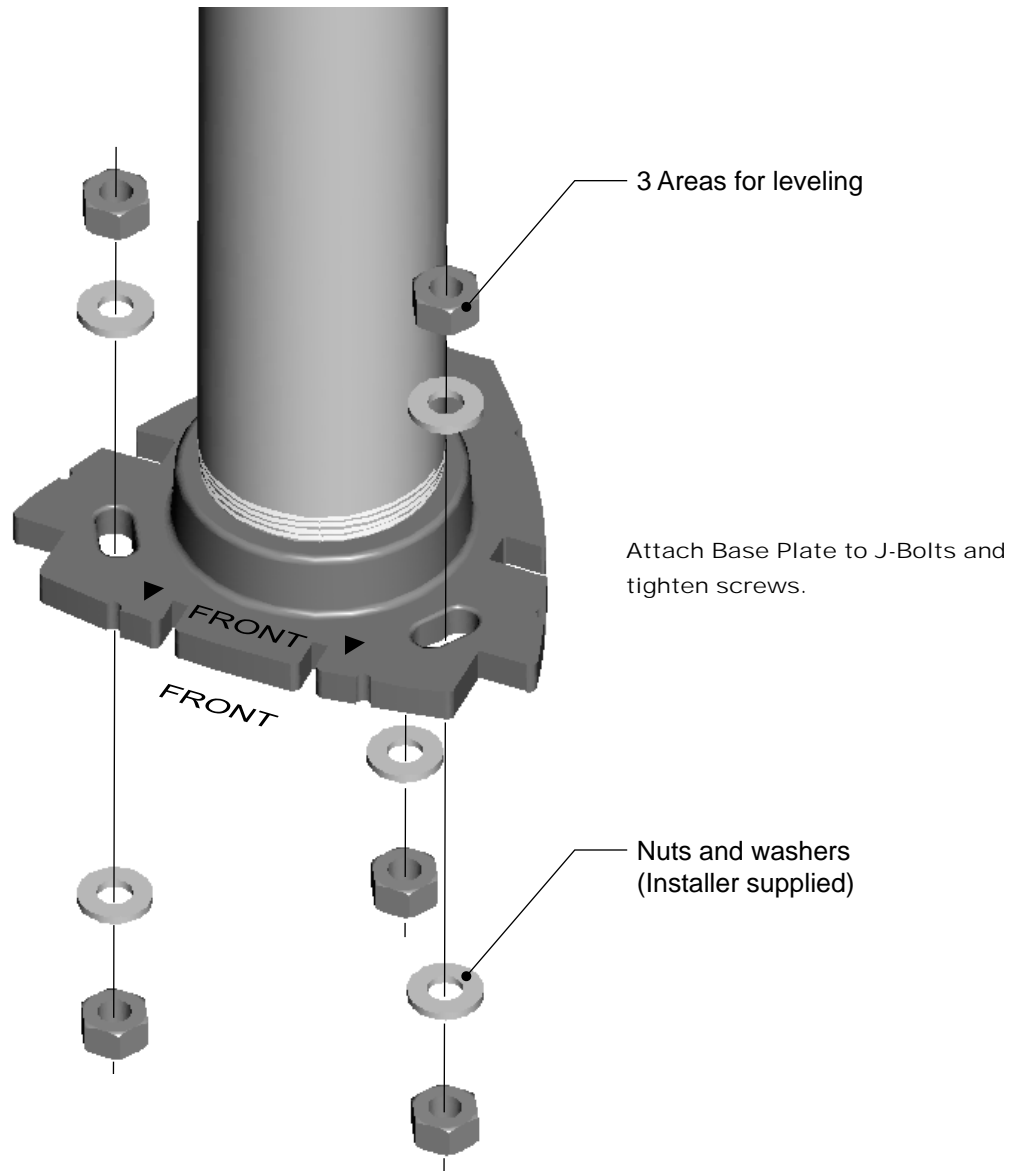
3. J-Bolts (Max 1/2" thread dia)
Length to match Local Code



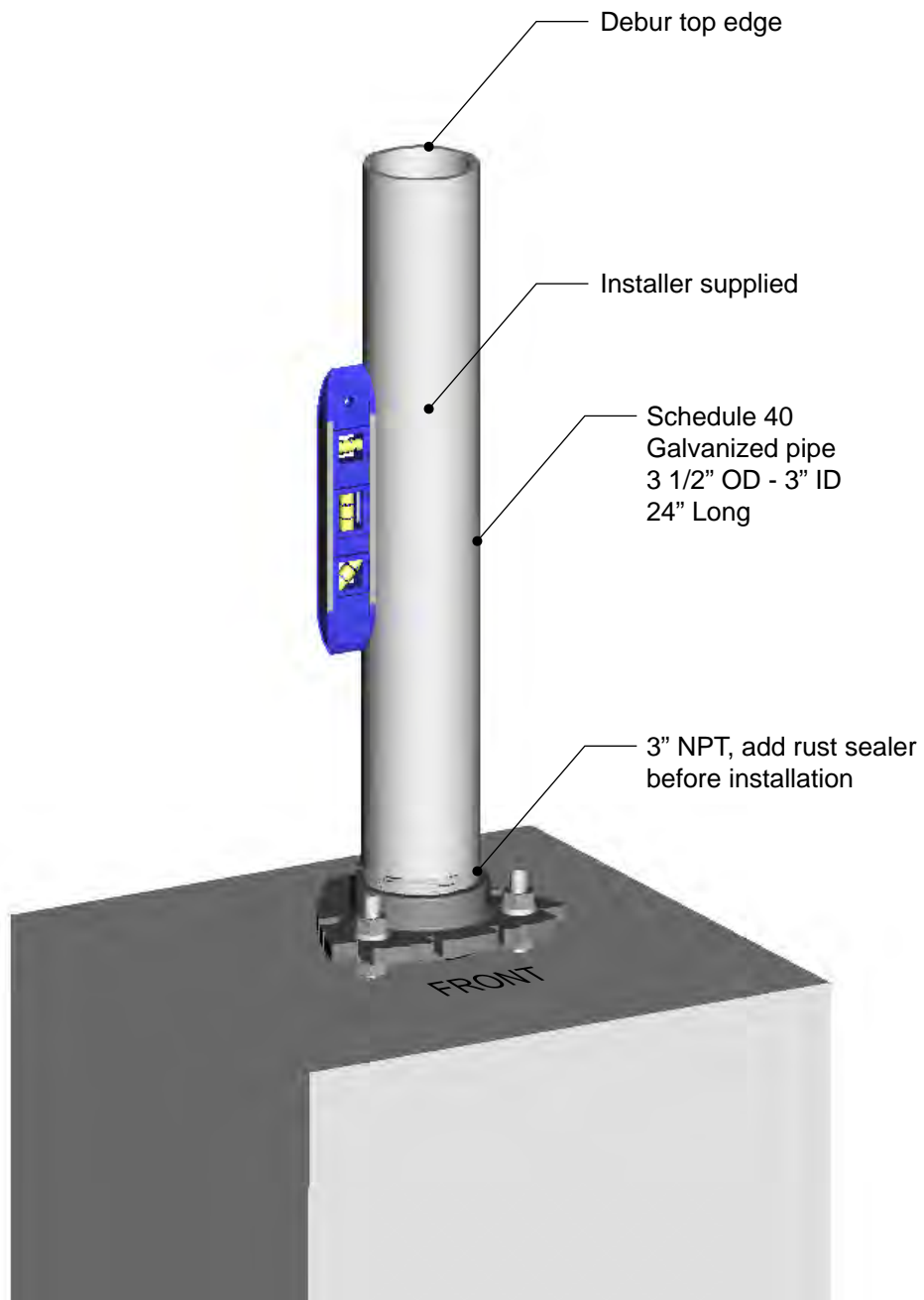
Installer Supplied Components and Parts



Cast Footing in Place - Concrete 18"x18"x18" or sized to local code
 J-Bolts, Washers and Nuts Installer Supplied



Mount Base Detail



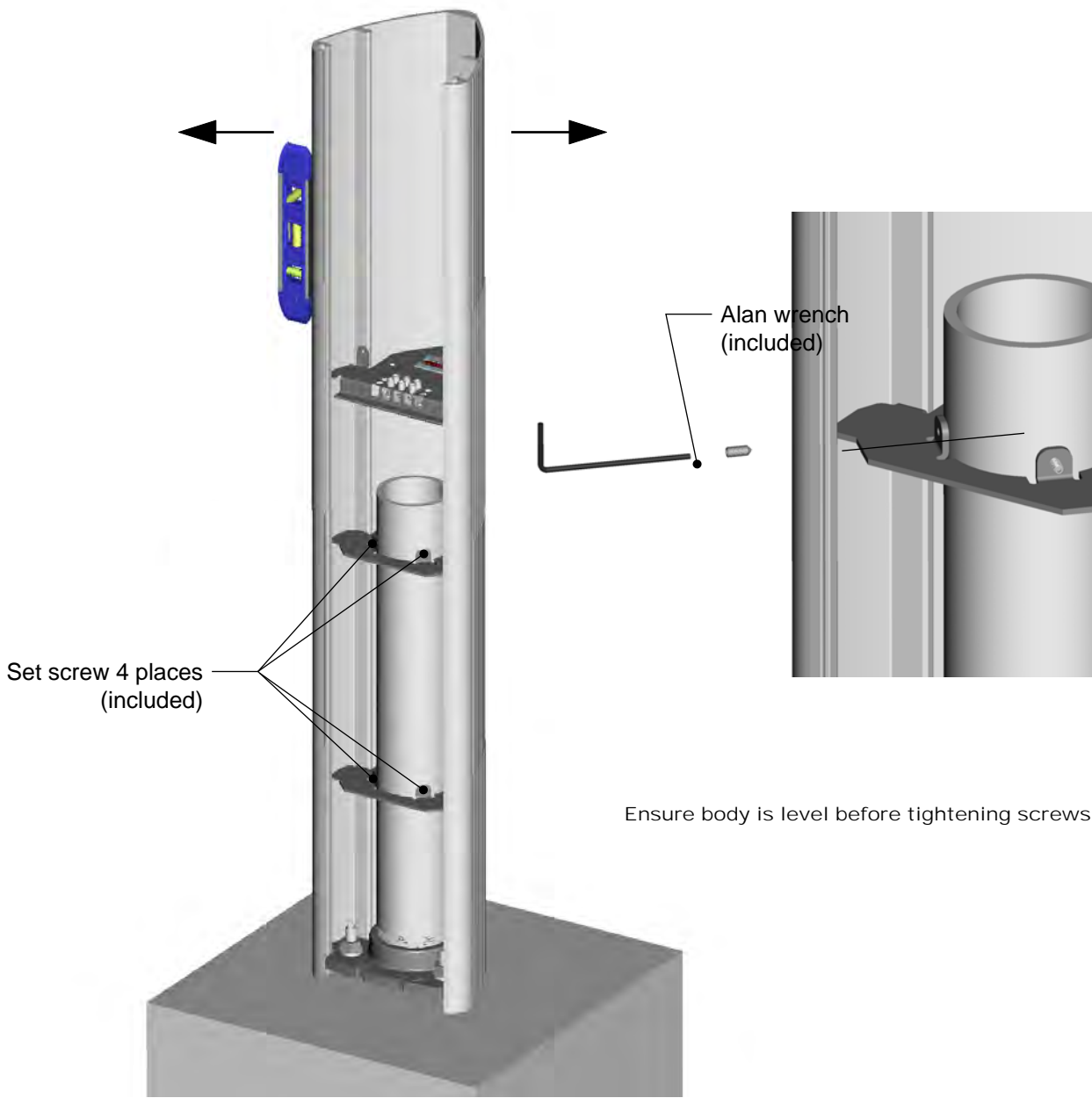
Mount Base Assembly



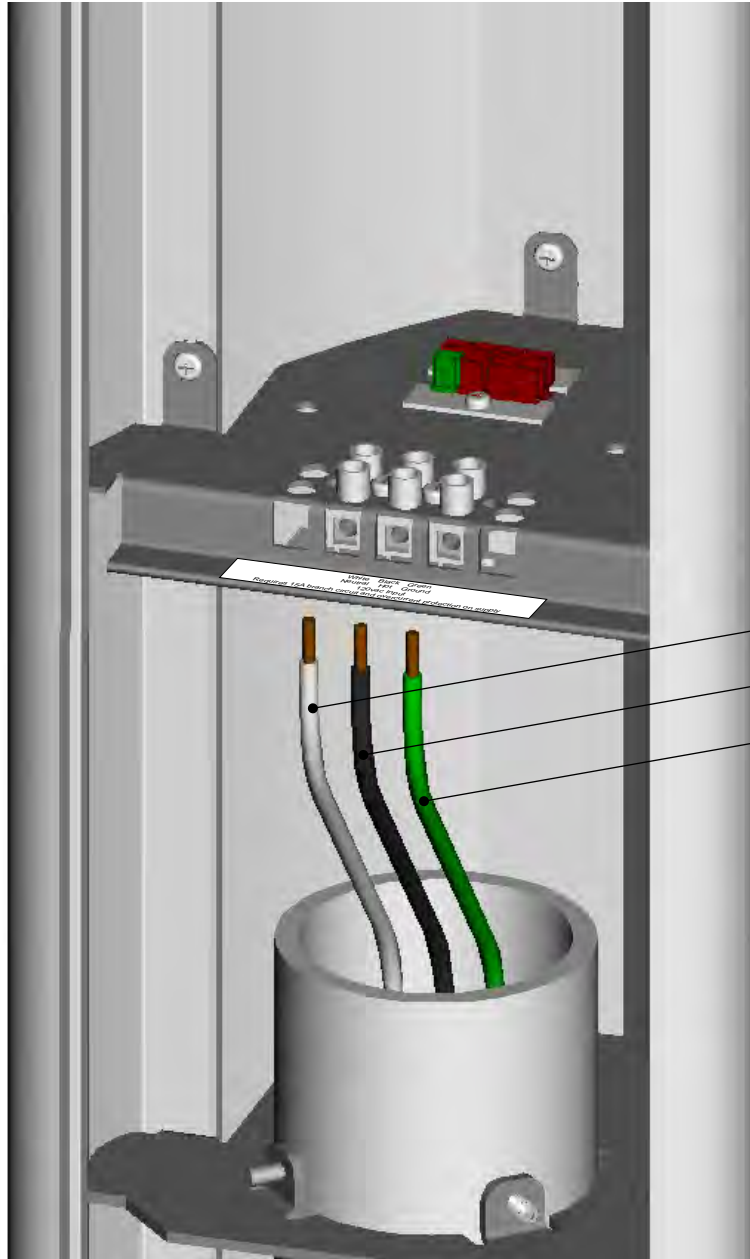
Ensure the piping is plumb.
Add rust sealer before securing in place.



Level Base Assembly



Level Body



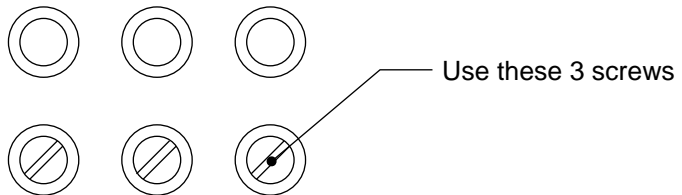
White

Black

Green

Strip wires back 3/8".
SOLID WIRES ONLY.

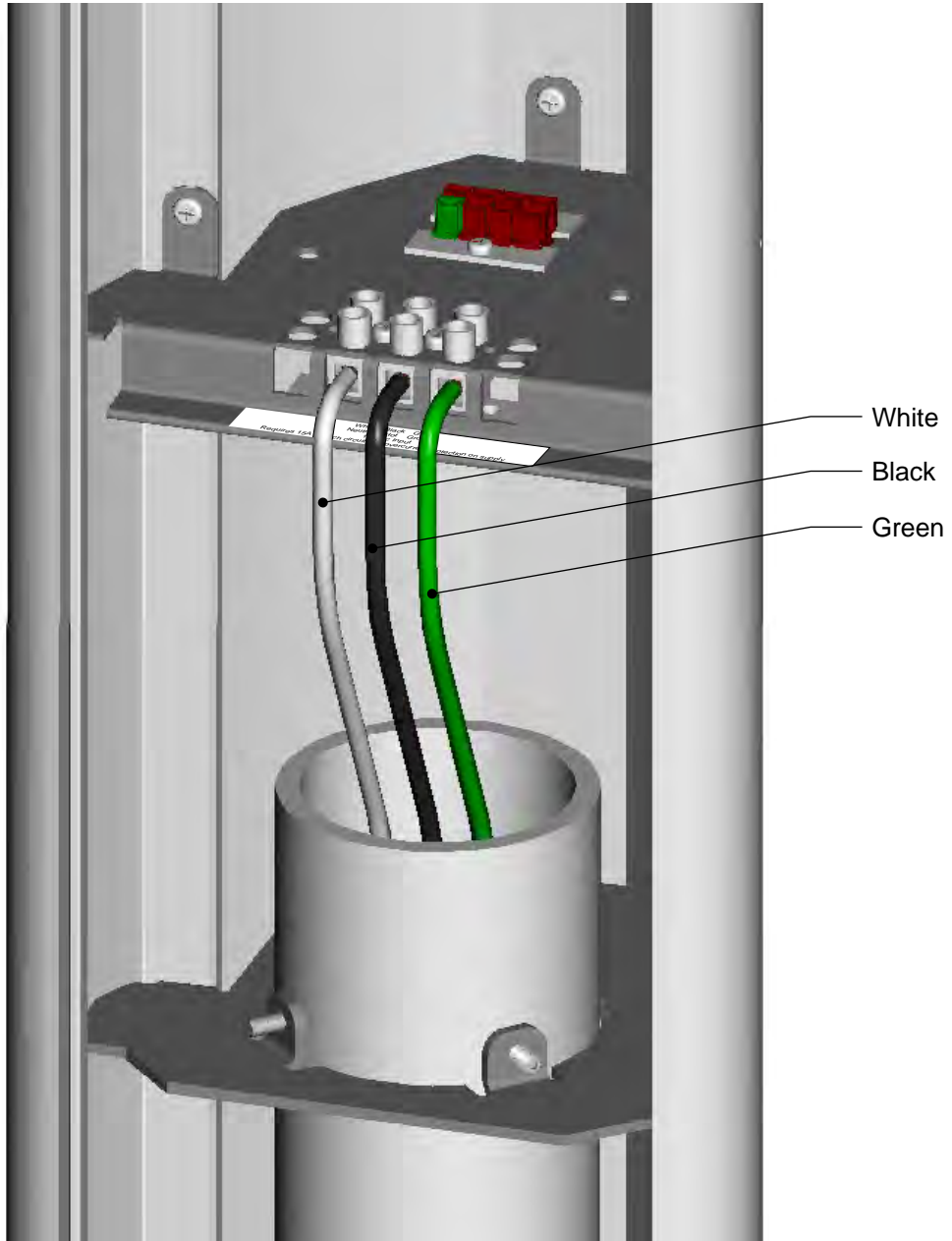
Wire Connection



White Black Green
Neutral Hot Ground
120VAC Input

Requires 15A branch circuit and overcurrent protection on supply

Wire Connection Label

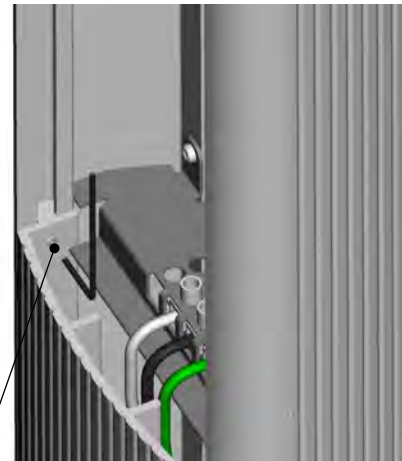
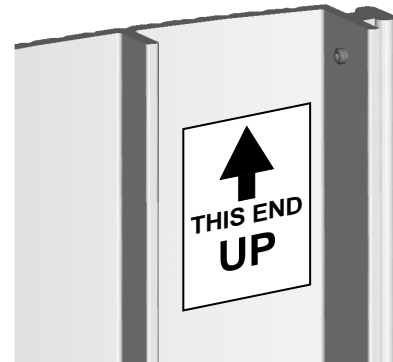


View after wires are connected and screwed in place.

Wire Connection



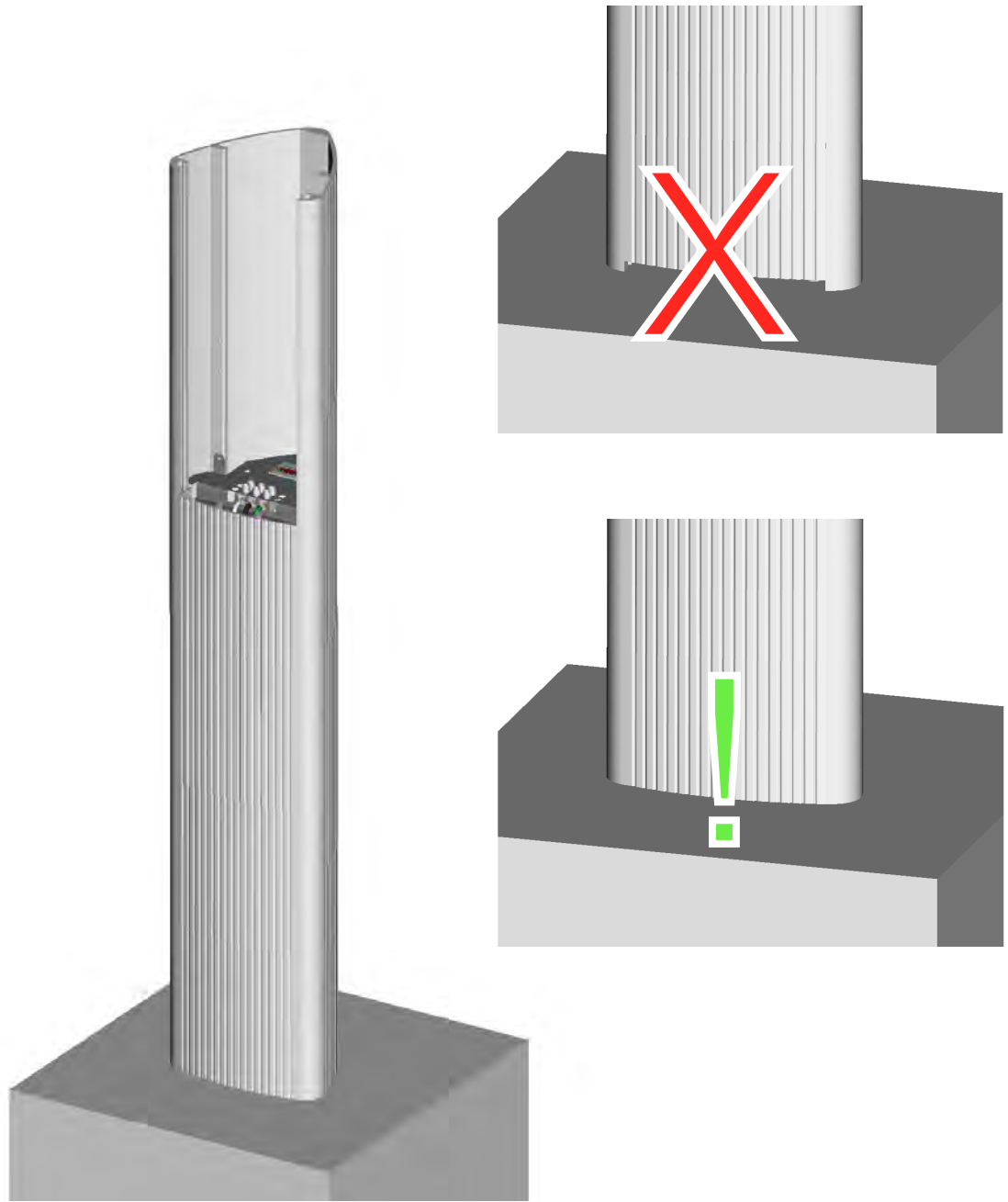
Ensure the correct end is up and slide the front panel into the body.



Inside Detail View

Set screw (2 places)

Slide front panel into place and lock with set screws (2 places)

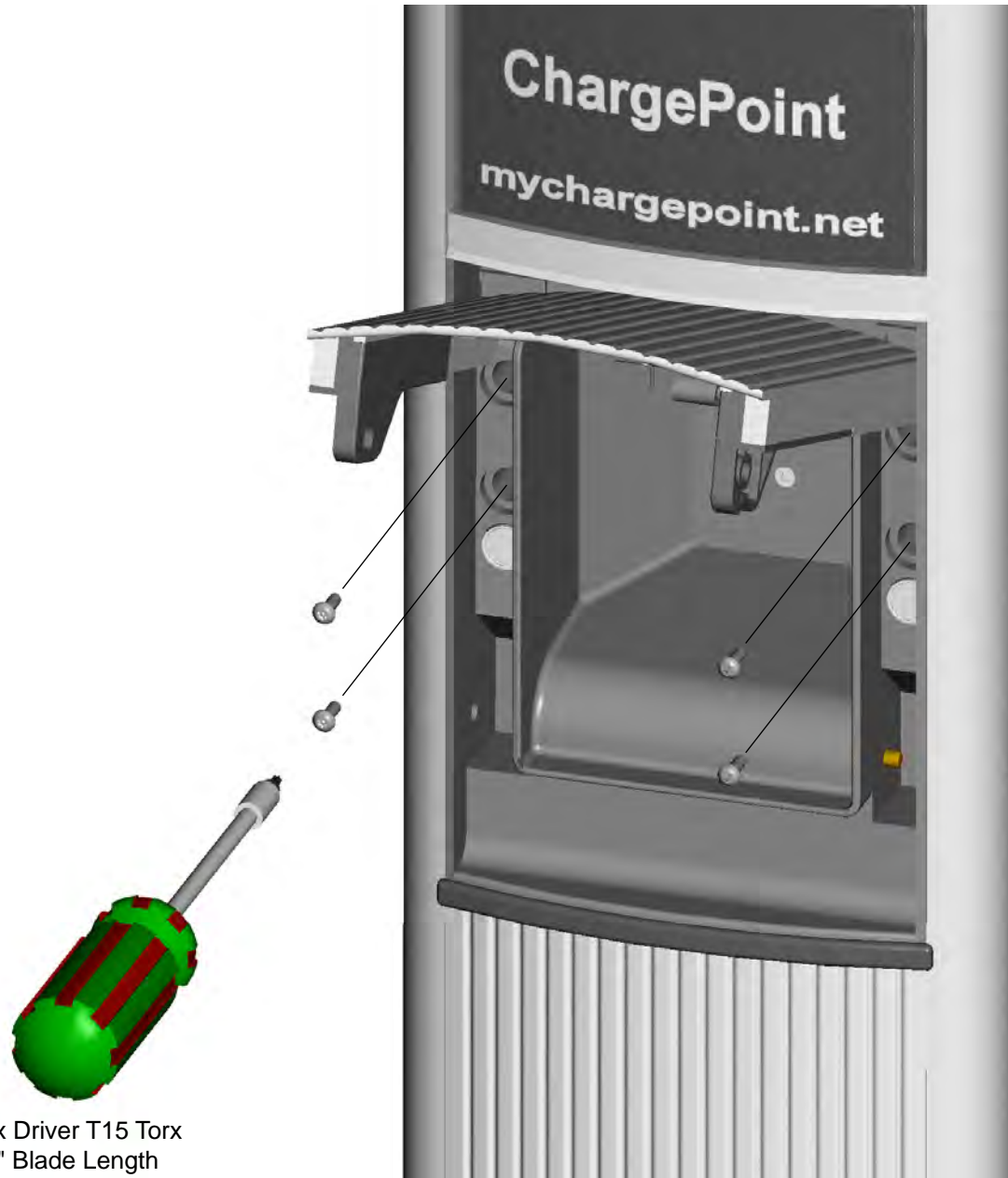


Front Section



Connect the attached cable from the head module with the connectors in the body.

Slide Head Module into Place



Torx Driver T15 Torx
3" Blade Length
7-1/2", Tamper-Resistant

Secure Head Module (4 screws)



Secure Cover Plugs for 4 Screws

Note: This equipment has been tested and found to comply with the limits for a Class A digital device, pursuant to part 15 of the FCC Rules. These limits are designed to provide reasonable protection against harmful interference when the equipment is operated in a commercial environment. This equipment generates, uses, and can radiate radio frequency energy and, if not installed and used in accordance with the instruction manual, may cause harmful interference to radio communications. Operation of this equipment in a residential area is likely to cause harmful interference in which case the user will be required to correct the interference at his own expense.

Caution: Changes or modifications not expressly approved by the party responsible for compliance could void the user's authority to operate the equipment.