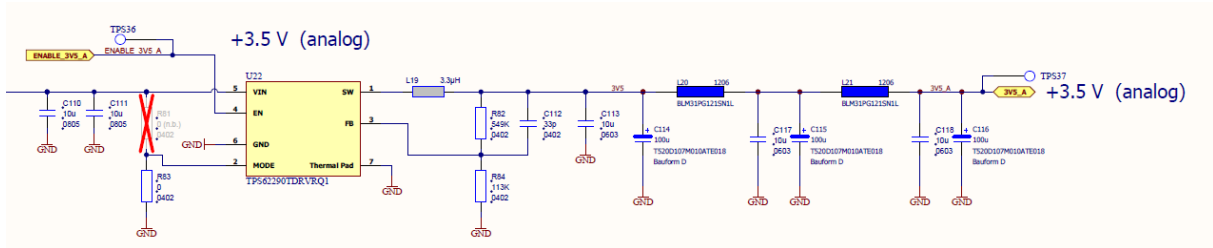


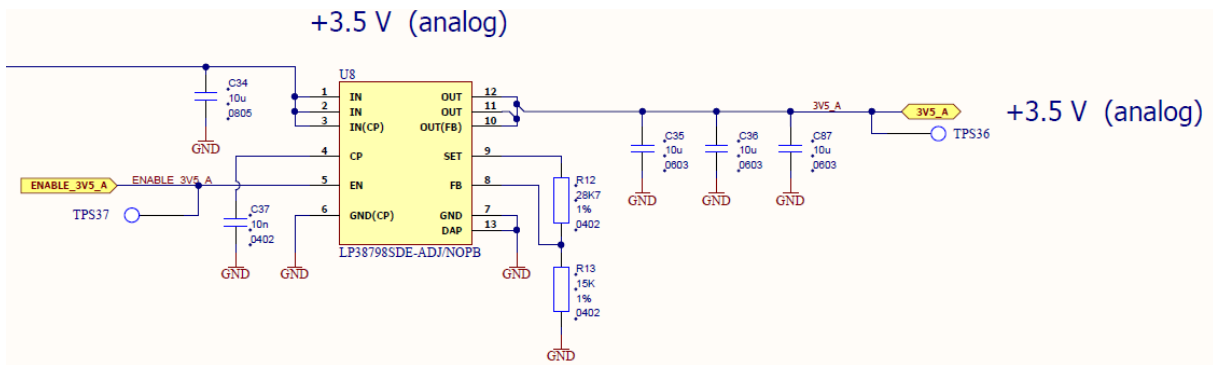
# 1. Change Voltage Regulator 3.5V:

Replace the switching regulator by a linear regulator.

UMRR\_OF0002:



UMRR\_OF0003:

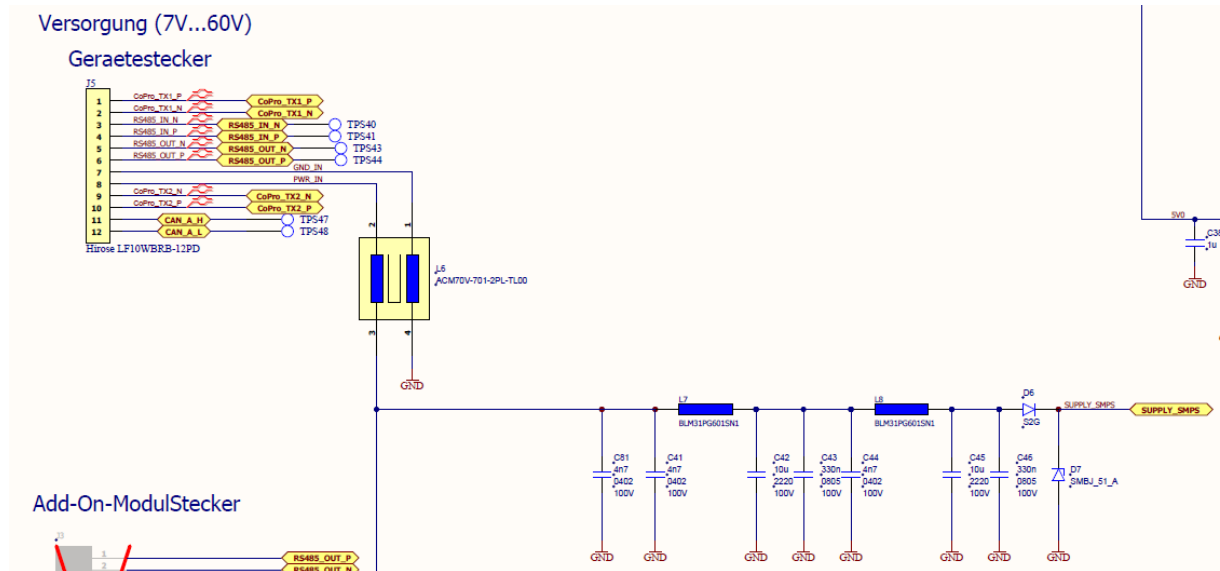


## 2. Change the input filter:

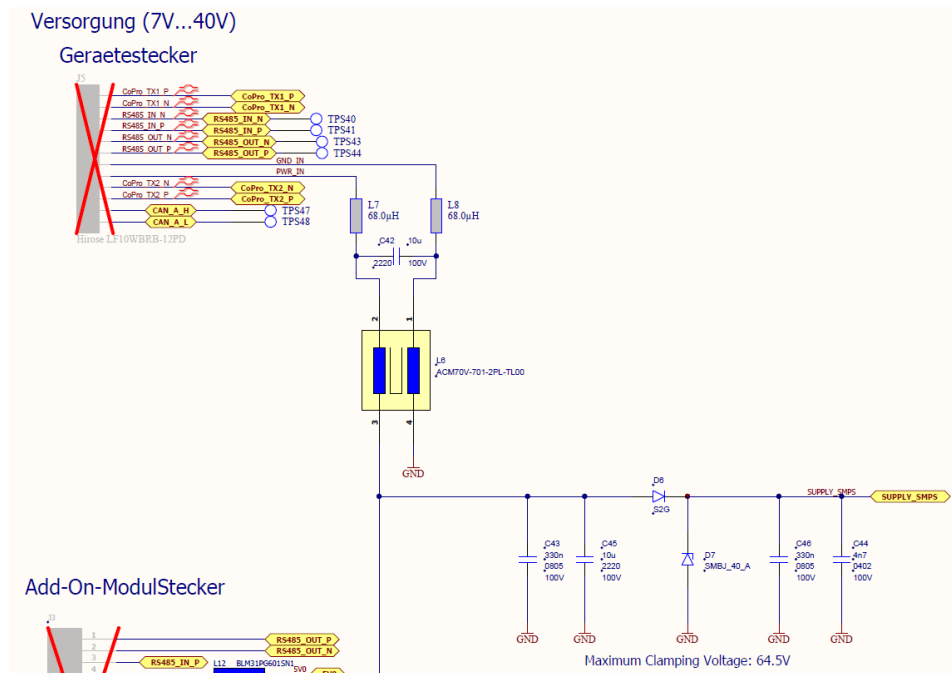
Remove ferrite (BLM31PG601SN1) and replace by two inductances and one capacitor at the input.

D7: Use of another component (SMBJ40 instead of SMBJ51)

### UMRR\_OF0002:



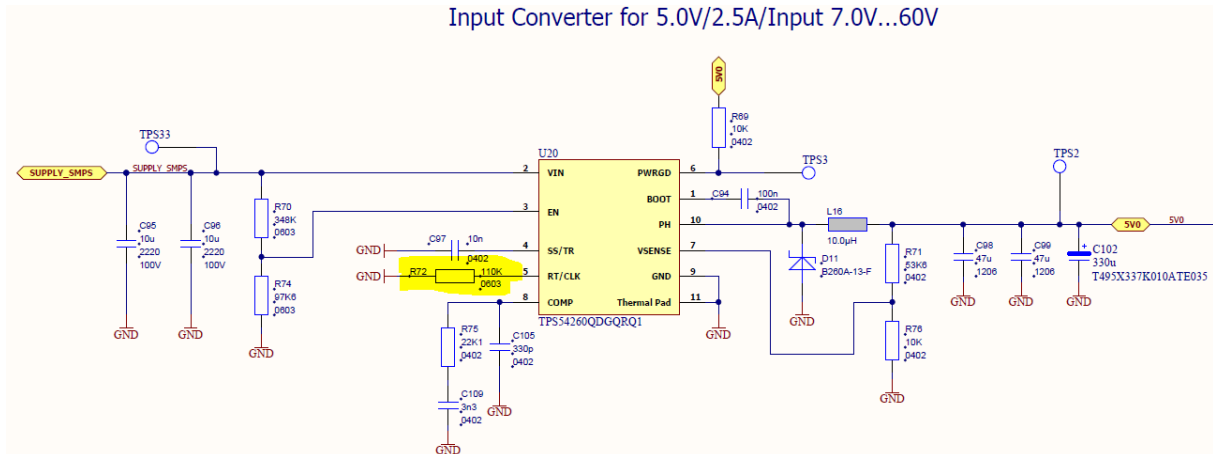
### UMRR\_OF0003:



### 3. Modification of the switching frequency of the input switching regulator

Decrease the switching frequency from around 1MHz to around 300kHz.

UMRR\_OF0002:



UMRR\_OF0003:

