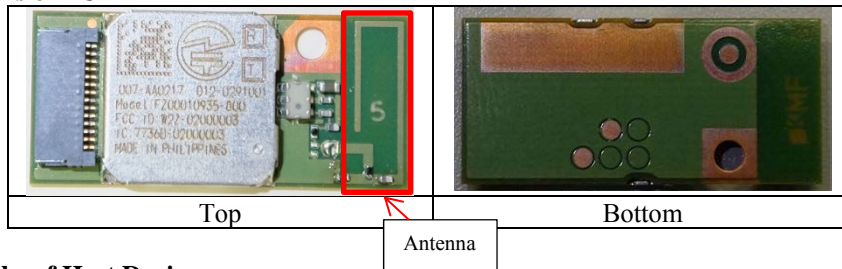
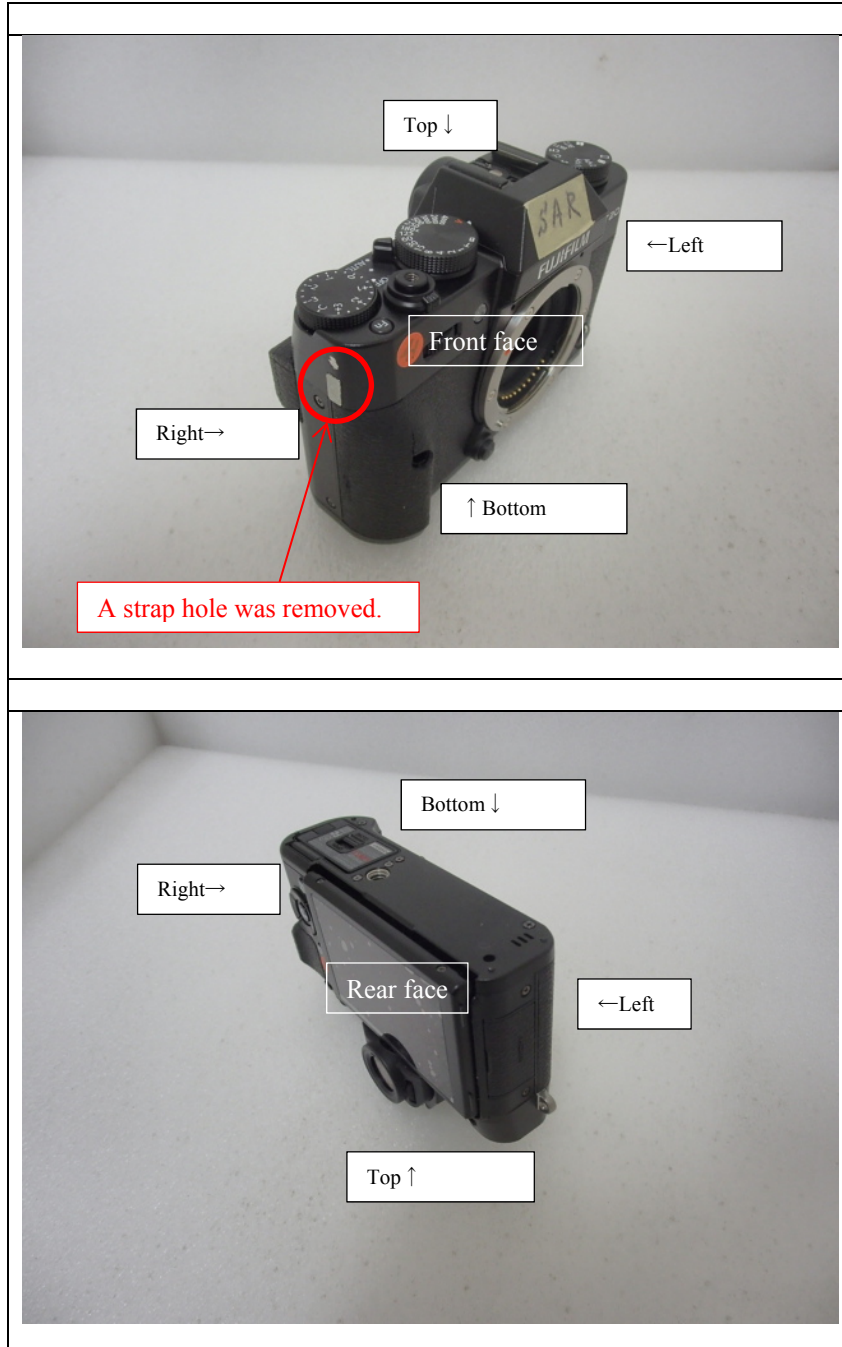


**APPENDIX 4: Photographs of test setup**

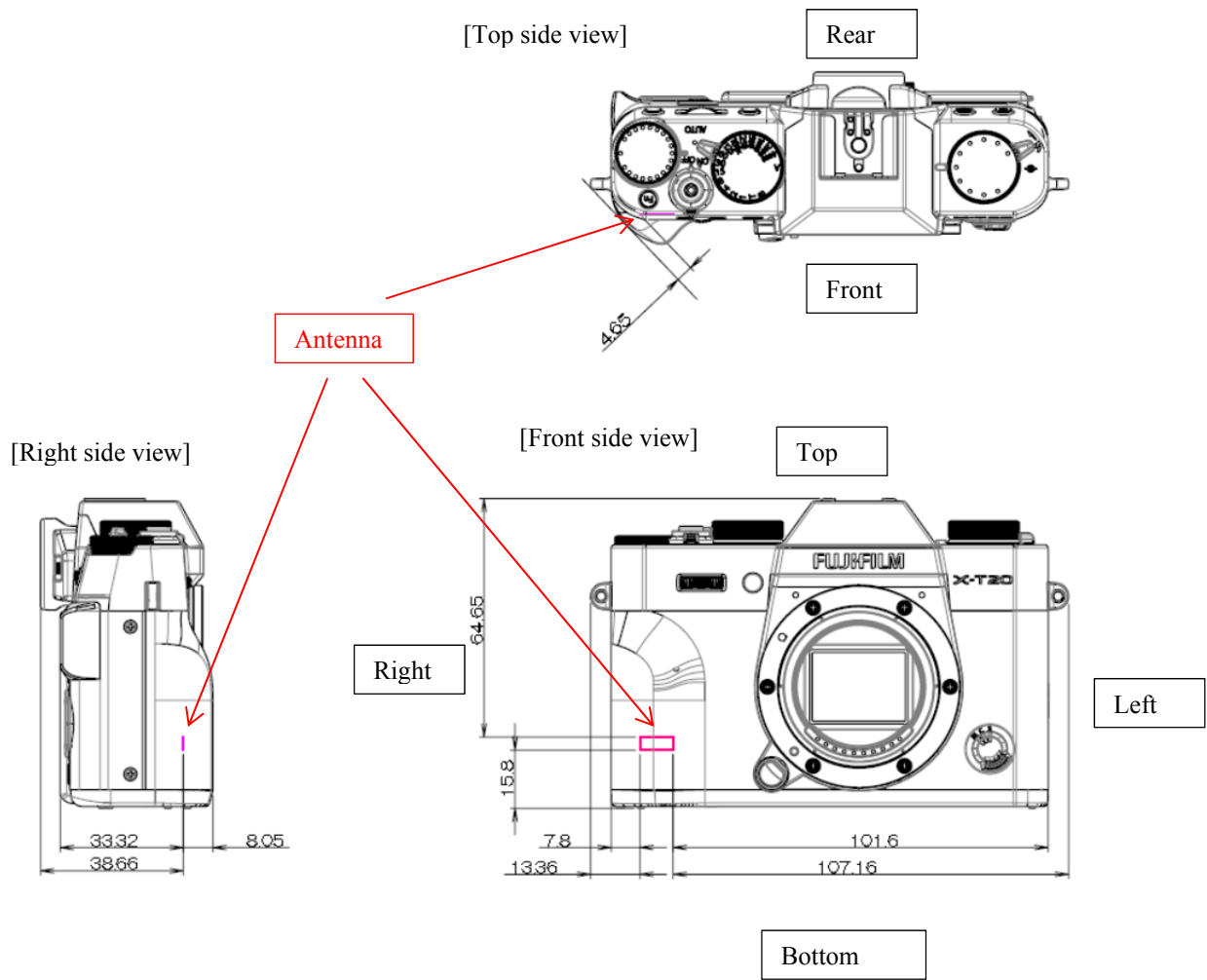
**Photographs of EUT**



**Photographs of Host Device**

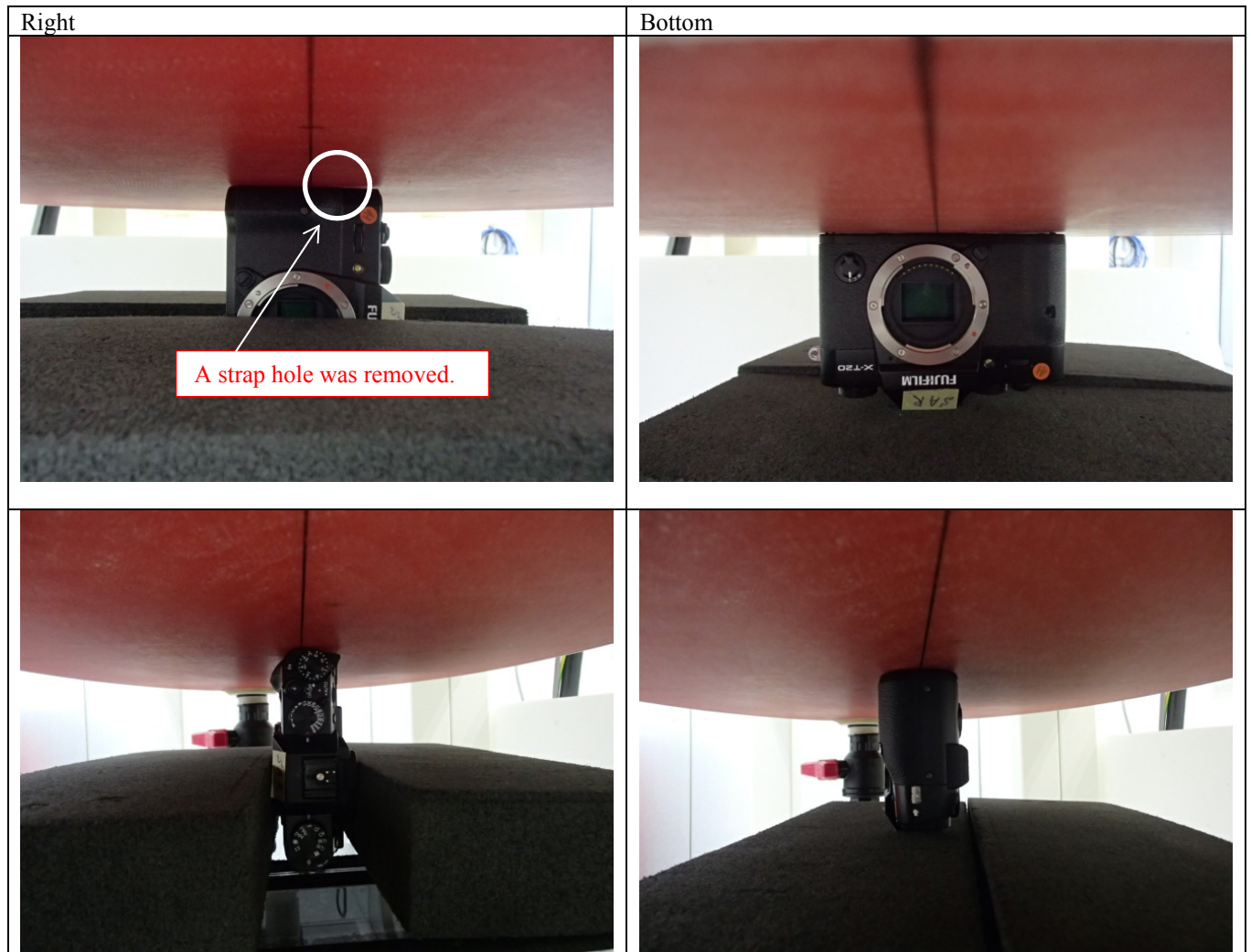


**Antenna position**



Photographs of setup





End of Report