

Confidential

1

2

3

4

A

A

B

B

C

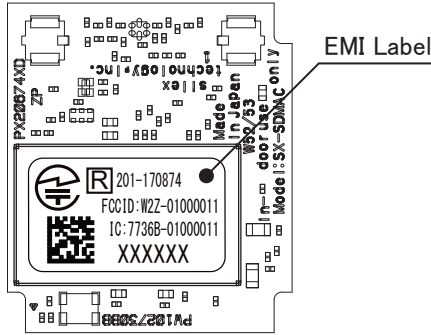
C

D

D

E

E



EMI Label

Component mounting side

F

F

△x				MATERIAL	X		FINISH	X		
△x				SCALE	Free	SHEET	1/1	SIZE	A4	
△x				APPROVED	CHECKED	TITLE	Assembly Drawing			
△x				T.Hira	T.Minobe	DWG.No.	KW102470XX			
FIRST EDITION	2020.08.04	T.Kimoto		REVIS	DATE	DESIGN	CHANGE OF CONTENTS			

© silex technology, Inc.

1

2

3

silex technology, Inc.