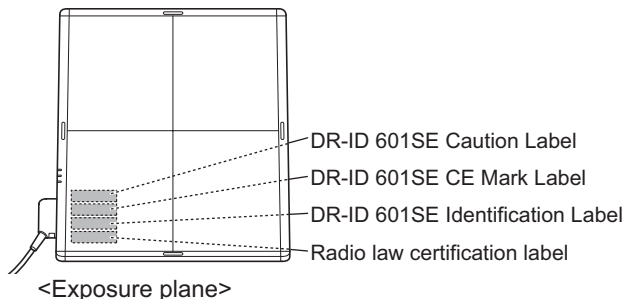


# 1.6 Locations of Labels and Signs

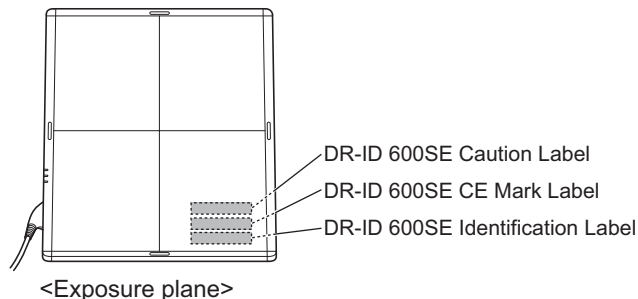
Locations of labels and signs affixed to the FDR D-EVO, and the relevant safety signs are shown below.

## 1.6.1 Locations of Labels

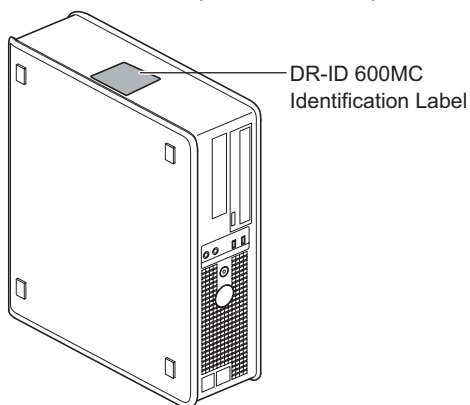
Flat panel sensor (DR-ID 601SE)



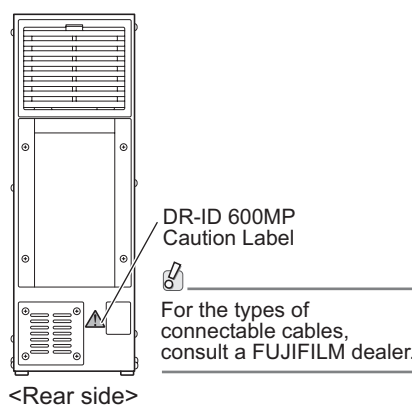
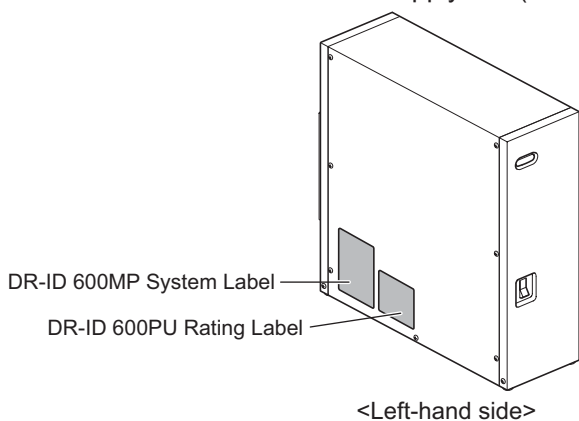
Flat panel sensor (DR-ID 600SE)



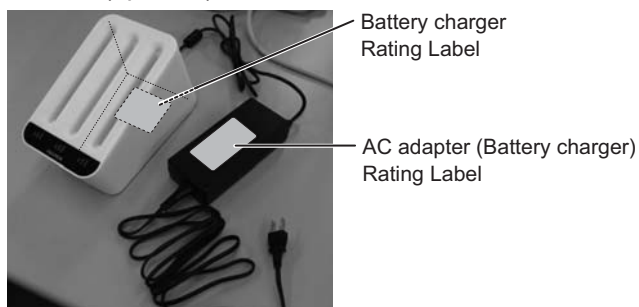
Control cabinet (DR-ID 600MC)



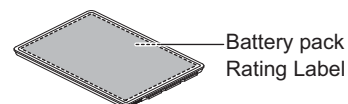
Power supply unit (DR-ID 600MP)

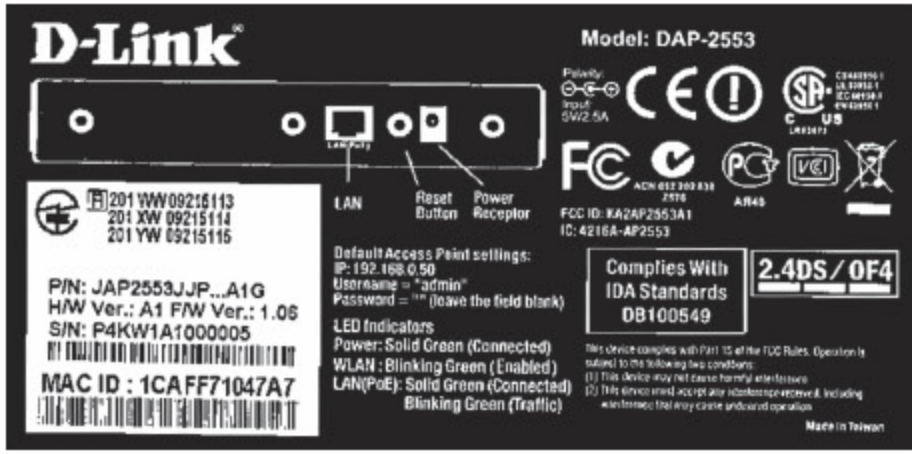


Battery charger (optional)



Battery pack (optional)





Access point Rating Label\*



AC adapter (Access point) Rating Label\*

\* The access point model is subject to change.

### 1.6.3 DR-ID 600PU



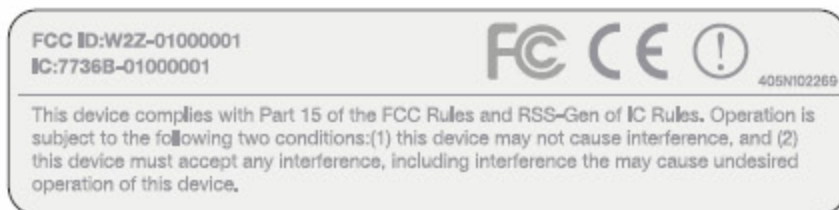
DR-ID 601SE Identification Label



DR-ID 600SE Identification Label



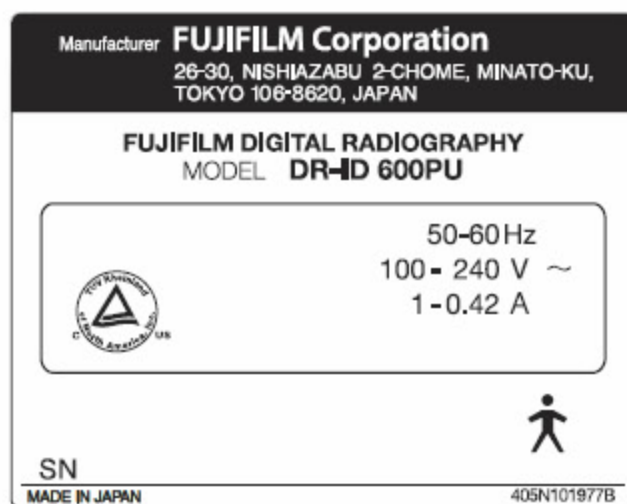
DR-ID 601SE Caution Label



Radio law certification label



DR-ID 600SE Caution Label



DR-ID 600PU Rating Label



DR-ID 600MP Caution Label