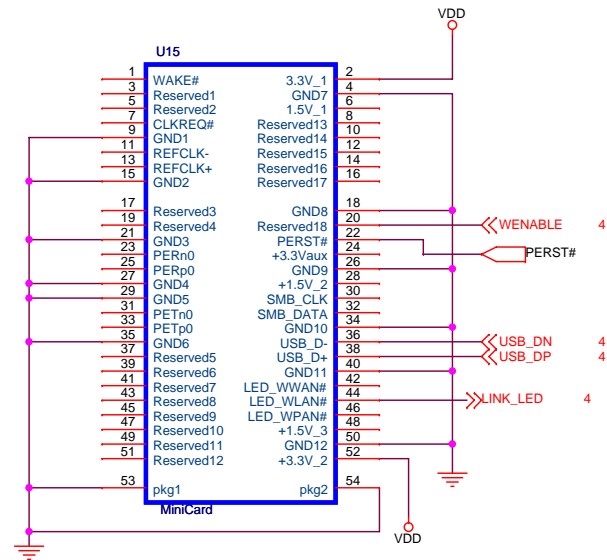
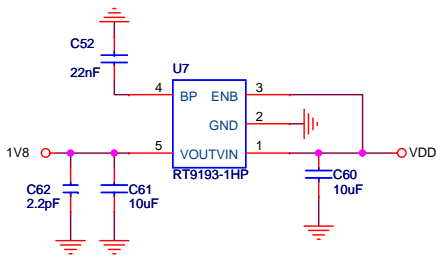
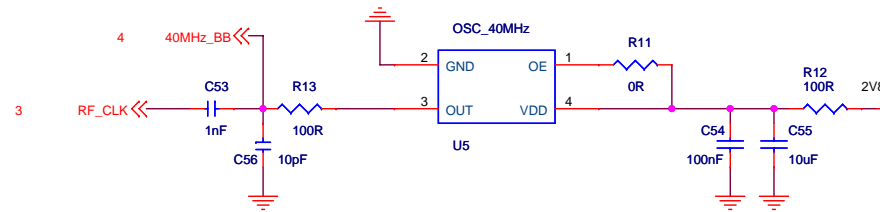
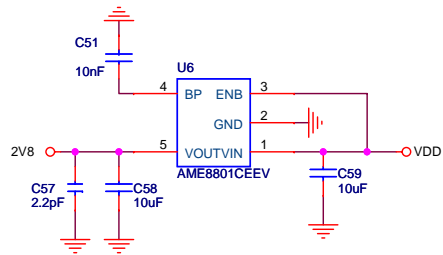


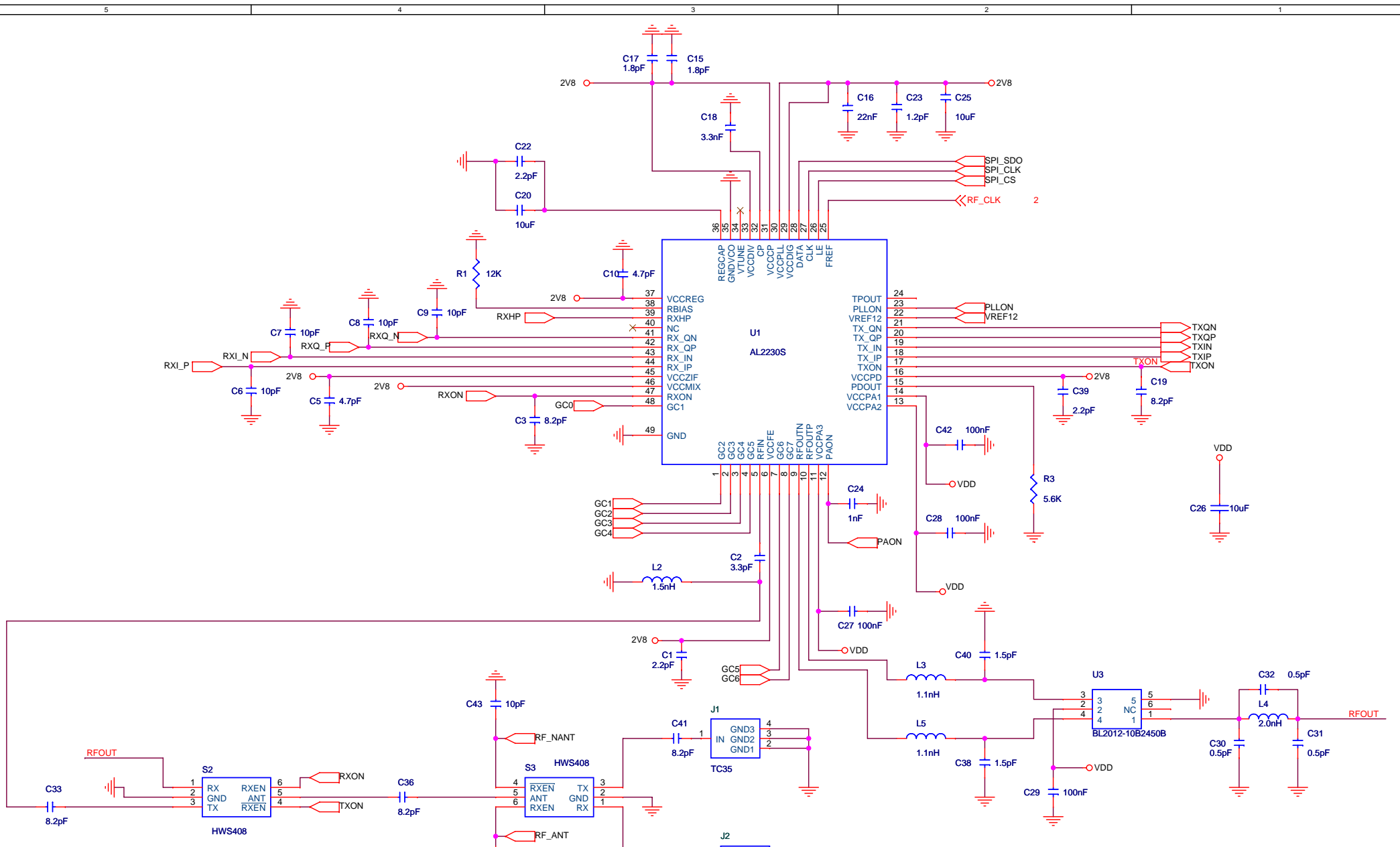
Date	Version	Description
2009.03.09	V1.00	
2009.04.12	V1.01	GPIO0 NC;
2009.04.30	V1.02	ADD R33, R34 ; DEL C122
2009.05.06	V1.03	ADD R27 ; PERST# connect to minicard pin 22
2009.06.16	V2.00	ADD R35,R36,C96 ;

北京中电华大电子设计有限责任公司		
Title TLG09MC05		
Size B	Document Number <Doc>	Rev V2.00
Date: Thursday, June 25, 2009 Sheet 1 of 4		



北京中电华大电子设计有限责任公司

Title		TLG09MC05 Power		Rev	
Size	Document Number			V2.00	
B	<Doc>				
Date:	Thursday, June 25, 2009	Sheet	2	of	4



txon(pin4) rxon(pin6) j1(pin5)~j2(pin3) j1(pin5)~j1(pin1)
 H 0 isolation PASS

北京中电华大电子设计有限责任公司			
Title	TLG09MC05	RF2230S	
Size	Document Number	<Doc>	Rev V2.00
Date:	Thursday, June 25, 2009	Sheet	3 of 4

