

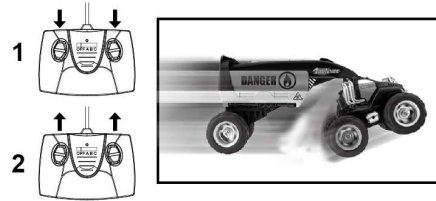
AWESOME STUNTS

This part shows you how to do some of the most exciting stunts ever!

ATTACH THE TRAILER FOR THESE STUNTS:

WILD WHEELIES!

Push both sticks down to drive in reverse. When you hit full speed, quickly push both sticks forward. Your vehicle will do a wild Wheelie!



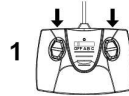
360 CAB SPIN!

For rippin' 360 cab spins, just push the left stick up and the right stick down. For high-speed spins in the opposite direction, push the left stick down and the right stick up!



JACKNIFE JAMMER!

Here's an easy one that's truly cool! Just push both sticks down to drive in reverse...and hold them there. The trailer will swing around 180° as the vehicle drives forward!



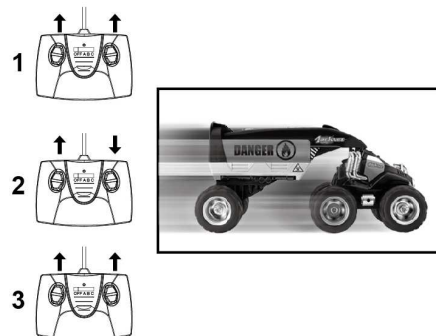
MOONWALK!

To do this amazing stunt, push both sticks up to drive forward. When your vehicle is up to full speed, quickly jam both sticks down. Your vehicle will do an awesome "moonwalk"!



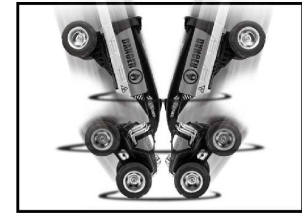
SPEED-SPIN!

To do this stunt, push both sticks up to drive forward. When your vehicle is up to full speed, quickly jam either the right OR the left stick down...then back up again. Your vehicle's cab will spin...and keep on driving!

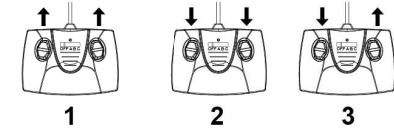


NOSEGRIND!

To do this stunt, push both sticks up to drive forward. When your vehicle is up to full speed, quickly jam both sticks down-just for a second-to get the vehicle "vertical" on its nose. Now quickly jam one stick up and one stick down to make the nose "grind"!



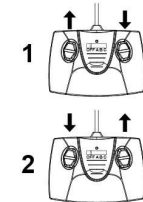
CAUTION: This is a challenging stunt that takes some practice. As you improve, you'll be able to keep your vehicle's nose "grinding" for a longer time.



DETACH THE CAB FOR THESE STUNTS:

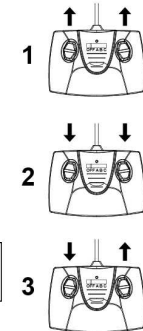
SUPER-FAST 360s!

For wild 360° spins, just push the left stick up and the right stick down. For high-speed spins in the opposite direction, push the left stick down and the right stick up!



HEADSTAND!

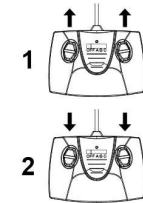
To do this stunt, push both sticks up to drive forward. When your vehicle is up to full speed, quickly jam both sticks down-just for a second-to bring the vehicle up into a "headstand". Now quickly jam one stick up and one stick down to make the vehicle spin on its "head"!



CAUTION: This is a challenging stunt that takes some practice.

FURIOUS FLIPS!

Push both sticks up to drive forward. When your vehicle is up to full speed, quickly jam both sticks down. Your vehicle will do an amazing flip!



TRDOUBLESHOOTNG

SYMPTOM	■ PROBABLE CAUSE	■ CORRECTION
Vehicle runs slowly or will not run.	<ul style="list-style-type: none"> ■ Loose battery connection or vehicle switch not ON. ■ Weak or uncharged rechargeable battery. ■ Weak transmitter battery. 	<ul style="list-style-type: none"> ■ Check battery connector and vehicle switch. ■ Charge battery or replace. ■ Replace with fresh alkaline battery.
Erratic operation or only short range possible.	<ul style="list-style-type: none"> ■ Radio interference likely. 	<ul style="list-style-type: none"> ■ Change location(see point 2-Quick Tips)
Short battery life.	<ul style="list-style-type: none"> ■ Battery not fully charged. 	<ul style="list-style-type: none"> ■ Recharge battery pack. For maximum running time, make sure you give your battery pack a full charge.
Vehicle doesn't work after going through water or snow.	<ul style="list-style-type: none"> ■ Water in the electronics area. 	<ul style="list-style-type: none"> ■ Vehicle will take several hours to dry. Allow to dry thoroughly overnight before trying again. ■ Operate you vehicle in a dry area. Avoid driving in water and snow.



CAUTION: Changes or modifications not expressly approved by the manufacturer responsible for compliance could void the user's authority to operate the equipment.

Warning: Changes or modifications to this unit not expressly approved by the party responsible for compliance could void the user's authority to operate the equipment.

NOTE: This equipment has been tested and found to comply with the limits for a Class B digital device, pursuant to Part 15 of the FCC Rules. These limits are designed to provide reasonable protection against harmful interference in a residential installation. This equipment generates, uses and can radiate radio frequency energy and, if not installed and used in accordance with the instructions, may cause harmful interference to radio communications.

However, there is no guarantee that interference will not occur in a particular installation. If this equipment does cause harmful interference to radio or television reception, which can be determined by turning the equipment off and on, the user is encouraged to try to correct the interference by one or more of the following measures:

Reorient or relocate the receiving antenna.
 Increase the separation between the equipment and receiver.
 Connect the equipment into an outlet on a circuit different from that to which the receiver is connected.
 Consult the dealer or an experienced radio/TV technician for help.

This device complies with Part 15 of the FCC Rules. Operation is subject to the following two conditions:(1) this device may not cause harmful interference, and
 (2) this device must accept any interference received, including interference that may cause undesired operation.



For U. S. Customer Service Please Call(510) 618-1700
 from 11:30AM to 6:30 PM central Time



© 2014 Shan Tou Xin Yu Technology Industrial Co.,Ltd
 www.xq-toys.com
 Made in China



CAUTION: Surfaces may become hot and cause burns if electronics get wet. Do not operate vehicle through water or snow.



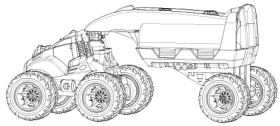
Jackknife Jackknife



USER'S MANUAL

Please read thoroughly before operating your vehicle.
 Keep these instructions for future reference.

CONTENTS



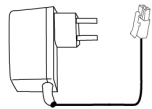
Vehicle x 1



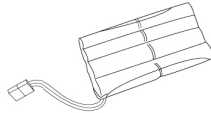
Controller x 1



Instruction manual x 1



Battery charger x 1



Rechargeable battery pack
(for vehicle)



9V Battery x 1
(for controller)

PARTS IDENTIFICATION

FEATURES

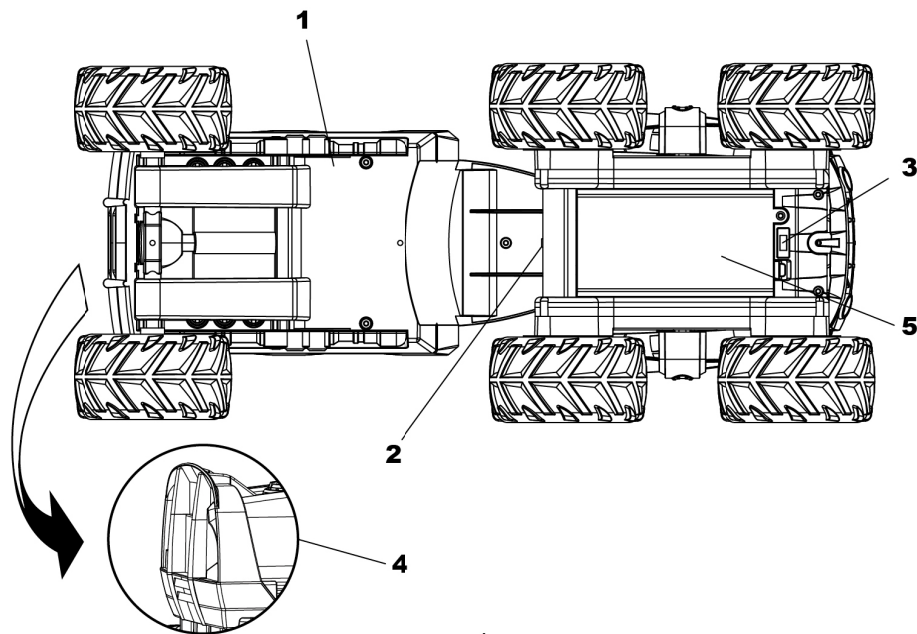
- Detachable cab
- Awesome stunts
- Triband - A.B.C
3 Channels

VEHICLE

- 1 Trailer
- 2 Cab-Trailer Connection
- 3 ON/OFF Switch
- 4 Rear Wing / Carry Handle
- 5 Battery Compartment



CAUTION: Always pick up your vehicle by the rear wing: it was designed as a special carry handles.



1

ATTACHING/DETACHING CAB

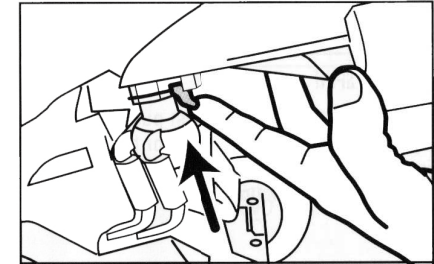
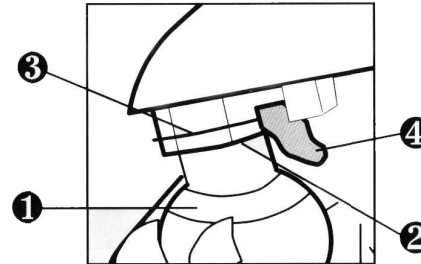
- 1 Cab Connector
- 2 Trailer Connector
- 3 Connector Clamp
- 4 Connector Latch

To detach the cab from the trailer:

- Push down on the connector latch to release the connector clamp.
- Hold the cab with one hand and pull up on the trailer connector with the other hand.

To attach the cab to the trailer:

- Push the trailer connector down onto the cab connector. Make sure it connects securely.
- Pull up on the connector latch until it clicks into place, locking the connector clamp.



QUICK START

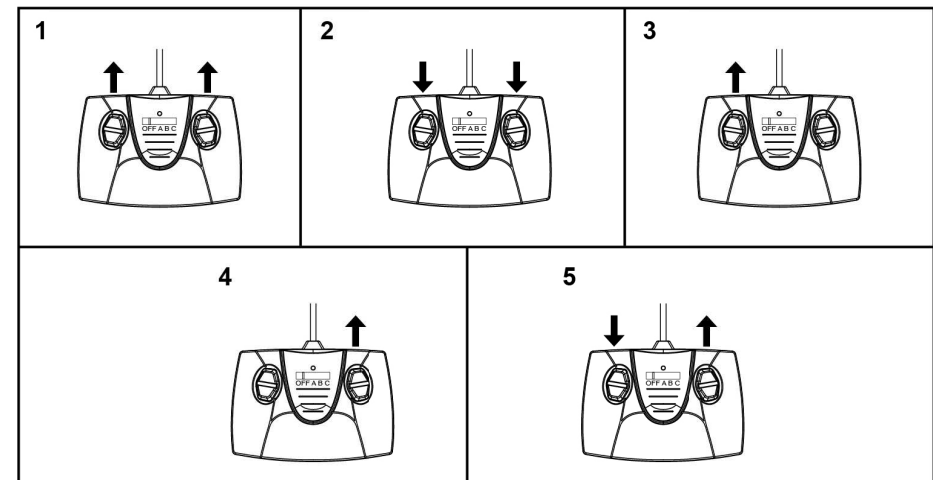
- 1 Start with a full charge.
- 2 Turn vehicle switch ON and control your vehicle.
- 3 When you're done driving, turn vehicle switch OFF.
- 4 Remove the battery for storage.

OPERATING YOUR VEHICLE



CAUTION: Please refer to BATTERY INSTALLATION Section for proper battery installation and care.

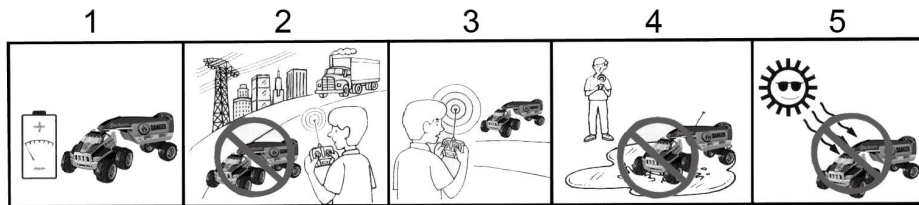
1. FORWARD
2. REVERSE
3. RIGHT TURN
4. LEFT TURN
5. 360 SPINS



2

QUICK TIPS

1. When your vehicle starts to lose power, it may lose functions or performance. It's time for a recharge. Your vehicle's running time may change depending on your driving style.
2. Radio interference can make your vehicle run badly. Interference can be caused by other R/C vehicles running on the same frequency; electrical wires; large buildings; or CB radios. Try to stay away from these!
3. Hold the transmitter above waist level. If the antenna is too low, or touches other objects (including your body), your vehicle may not operate properly. And your vehicle won't work properly if it gets too far away.
4. Don't drive your vehicle in sand or through water or snow. If your vehicle does
5. Don't store your vehicle near heat or in direct sunlight. Always turn switches OFF and remove all batteries for storage.



BATTERY INSTALLATION

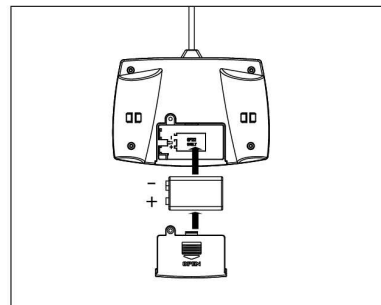
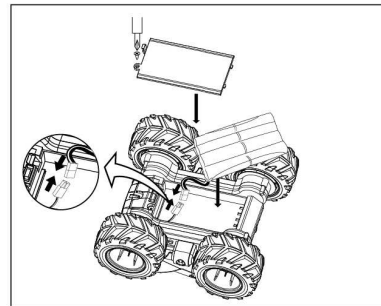
VEHICLE

1. Remove the battery cover by using a screwdriver.
2. Insert the battery into battery compartment and connect battery plug to the cab.
3. Make sure battery snaps securely in place and rotate latch to locked position.
4. Remove the battery for storage.

Estimated run time for this vehicle: approximately 8-10 minutes.

TRANSMITTER

1. To install transmitter battery, remove battery door as shown.
2. Install one 9.6V battery compartment.
3. Replace battery door and snap shut.

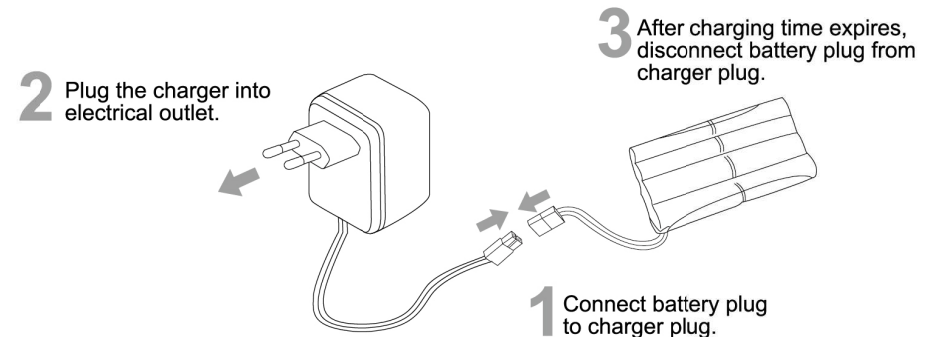


5

BATTERY SAFETY INFORMATION

- Insure that battery polarity is correct.
- Use only batteries of the type recommended (or equivalent).
- Do not mix old and new batteries.
- Do not mix alkaline, standard (carbon-zinc), or rechargeable (nickel-cadmium) batteries.
- Remove used-up batteries immediately. Remove batteries if vehicle will not be used for a long period.
- Do not recharge non-rechargeable batteries.
- Do not short-circuit terminals.
- Recharge batteries only under adult supervision (if the batteries are designed to be rechargeable).
- Dispose of batteries safely. Do not dispose of batteries (or products containing non-replaceable batteries) in fire, as batteries may explode or leak.

HOW TO CHARGE



Charging time: about 90 minutes

Playing time: 8-10 minutes

Note: Rechargeable battery should be recharged only by an adult.

SAFETY INFORMATION

Adults, this toy is recommended for children 6+ years of age and older. To ensure that the child's play is both safe and fun, please review the operating instruction and these general safety rules with the child.

1. NEVER drive your vehicle on streets! They're for real cars!
2. Do NOT pick up vehicle while in motion.
3. Keep fingers, hair and loose clothing away from the tires and the wheel hubs while the vehicle is switched ON.
4. Adult supervision is recommended when this vehicle is being operated.
5. To avoid accidental operation, remove all batteries when not in use.

6