

General safety information for R/C vehicles age grade 3+. 27MHz

Radio Wave

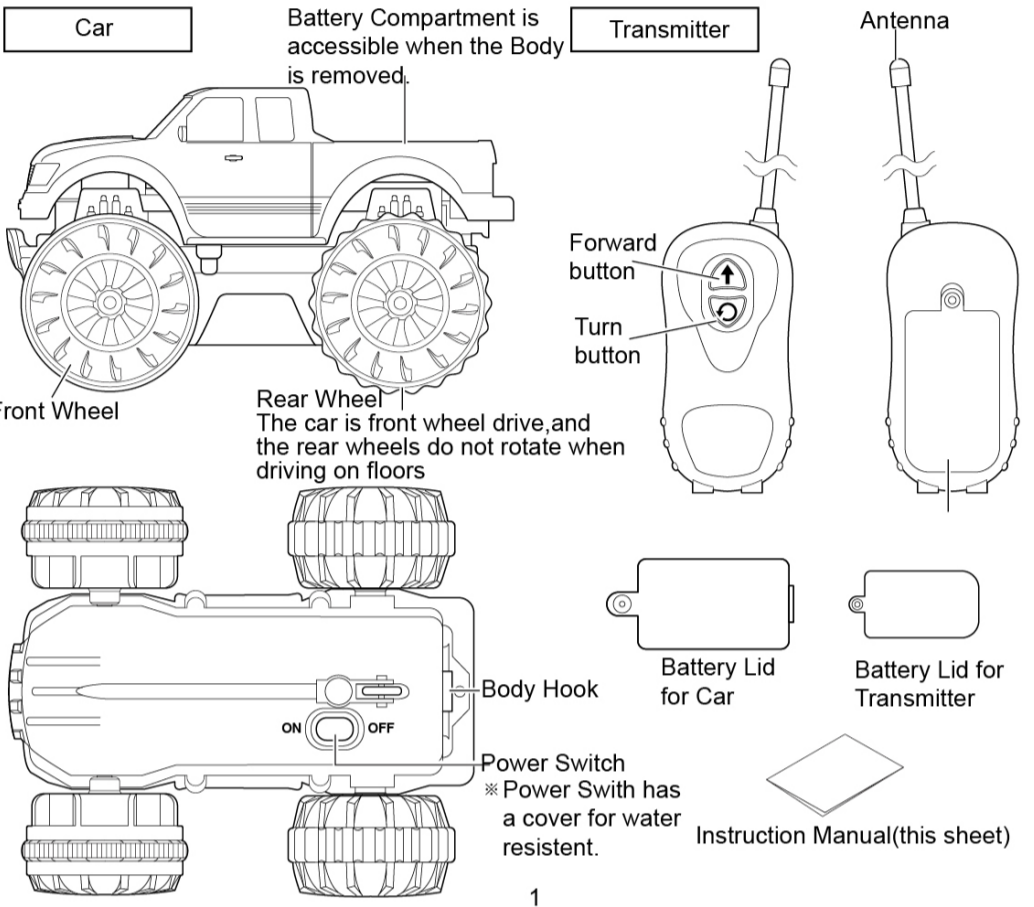
- Using 2 or more radio control cars of the same frequency will cause malfunction.
- Radio wave other than radio control car can also cause malfunction. Change the palce or try later .

Battery

- Turn the power switch of the car and the transmitter to OFF(X) position after use.
- When you replace the batteries,replace all of them to new ones.Mixing new and old batteries may cause battery leakage.
- Do not change batteries when the car or your hand is wet.It may cause rust on the car or the batteries , or leakage of battery.

Contents and Descriptions

※Actual product may differ from the drawings.
 ※The car and the transmitter are water resistant,but do not dip in the water.



1

Product Spec

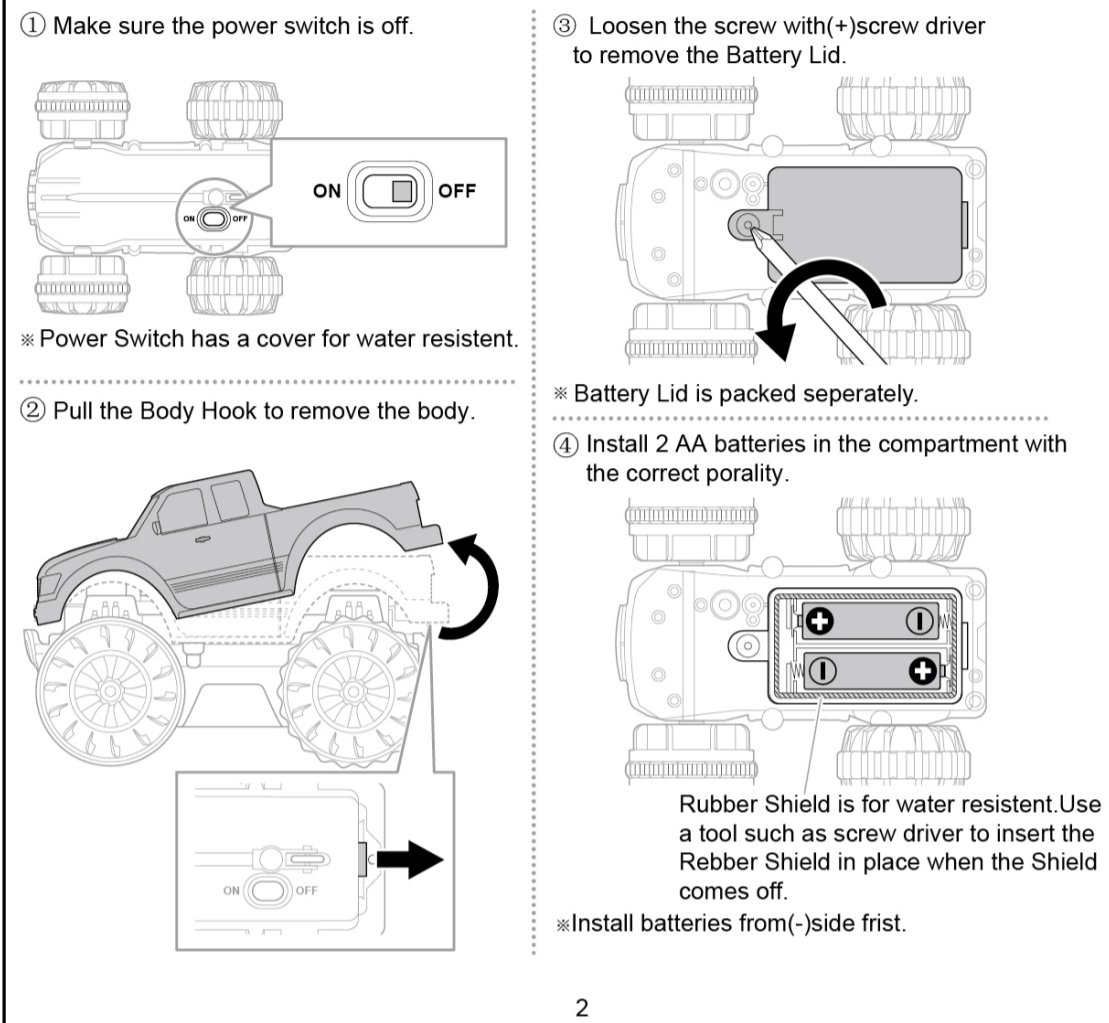
- Frequency:27MHz
- Control Distance:5m on the ground,2m on water.

Battery Requirements

- [For Car]
 - AA alkaline×2(not included)
- [For Transmitter]
 - AA alkaline×2(not included)
- Battery Life:120 mins(fresh alkaline batteries)
- Battery Life:8 hours(fresh alkaline batteries)

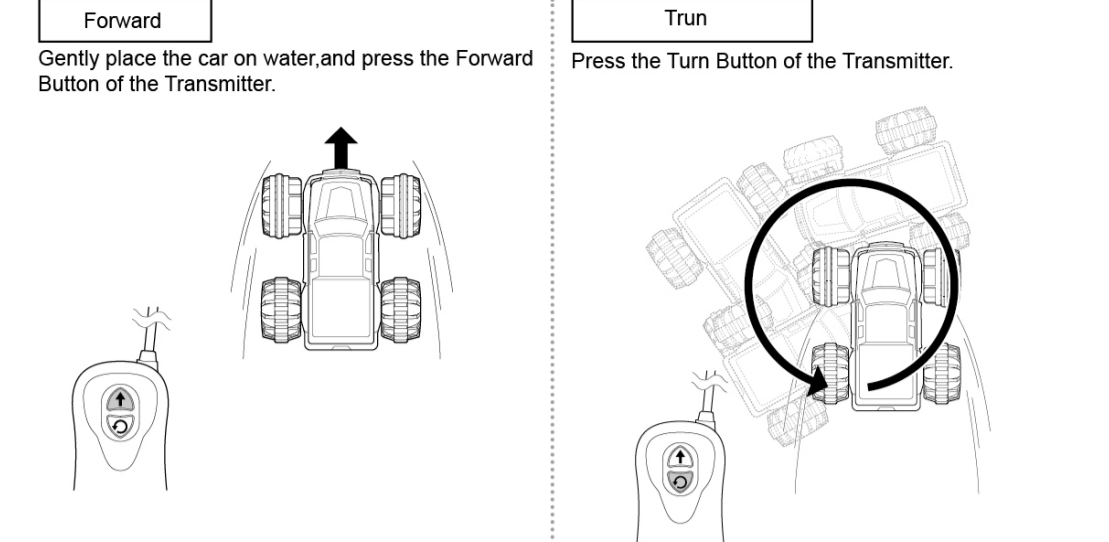
※ Rechargeable AA batteries or manganese batteries (R-6P) are not usable.
 ※ Battery life may vary depending on make of the battery.

Installing Batteries To the Car

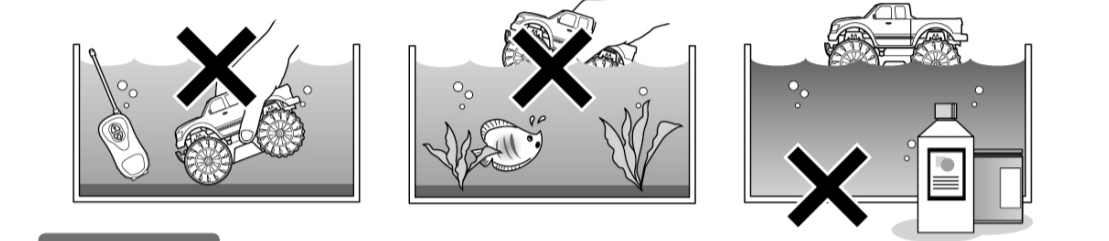


2

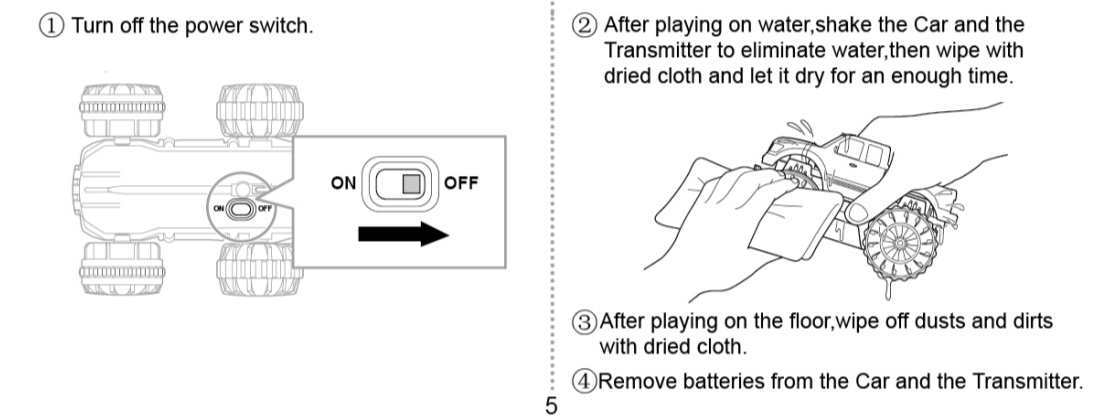
Playing on water



This Product Is For Indoor Use Only!
 Do Not Use In The Below Places.
 - The Car and the Transmitter are not water proof.Do not hold under the water.
 - Do not use in the sea,rivers,lakes,swimming pools,or where the water d epth is unknown.
 - Do not use in water tanks with fish or water plants.
 - Do not use in water with bathing powder,salt,sewage,chemicals.
 - Do not warm up the bath with the Car and the Transmitter on water.



After Using



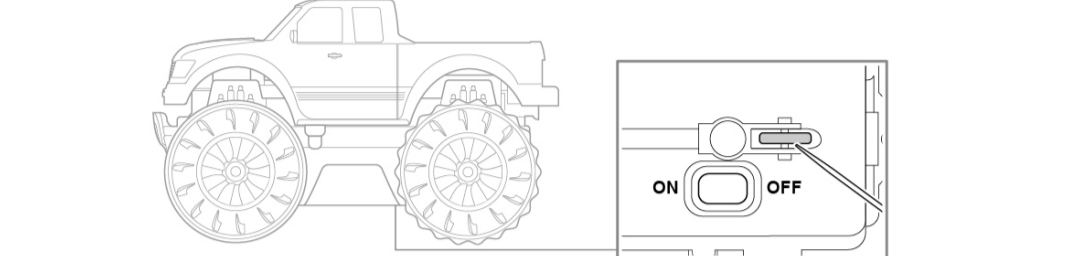
5

Caution For Storage

- + Do not store this product close to fire ,under direct sunlight,high temperature or humidity,or in the car. It will cause deformation,short circuit,heat,or catching fire.
- + After playing on water,eliminate water from the Car and the Transmitter completely before storing,and let them in a shade.
- + After playing on the floor,wipe off dusts and dirt with dried cloth.
- + Power off the car,and remove the batteries from the Car and the Transmitter after using.
- + Do not store this product in closed box or container.Store it in a place with air flow.

FAQs & Tips ①

When dusts or obstacles are stuck between wheels and chassis and rotation of the wheels is not smooth, remove the obstacles with a tooth pick or other tools.



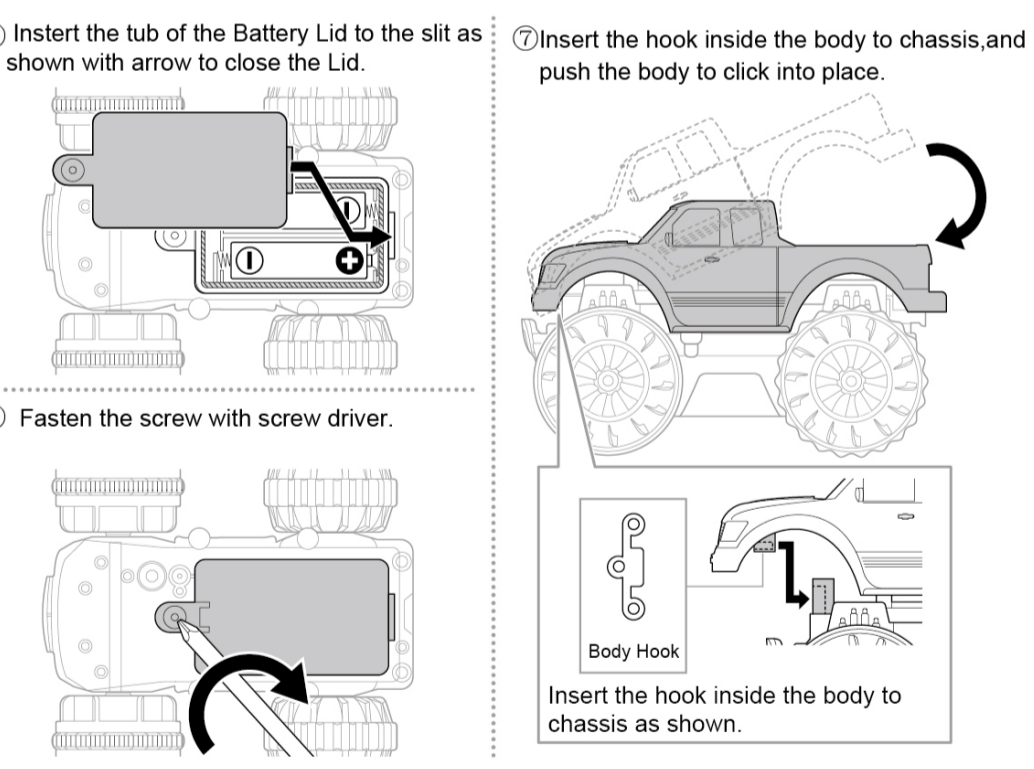
FAQs & Tips ②

Status	Cause	Tips	
Car does not function.Forward or Trun action is not smooth.	Polarity of the batteries in the car or the transmitter is not correct.	Place the batteries correctly.	3, 4
	Batteries in the car are low.	Replace all the batteries.	3
	Batteries in the transmitter are low.	Replace all the batteries.	4
	Power switch of the car is OFF.	Power on the Car.	5
	Dusts or other obstacles are stuck between wheels and chassis and rotation of the wheels is not smooth.	Remove the obstacles with a tooth pick or other tools.	7
Car moves by itself.Unable to operate.	The Car is played on thick carpet.	Change the place to play.	1
	Batteries in the car are low.	Replace all the batteries.	3
	Batteries in the transmitter are low.	Replace all the batteries.	4
	Another radio control product of the same frequency is being used near your place.	Try another place or try again later.	2
	Some foreign radio signal is affecting your car.	Try another place or try again later.	2

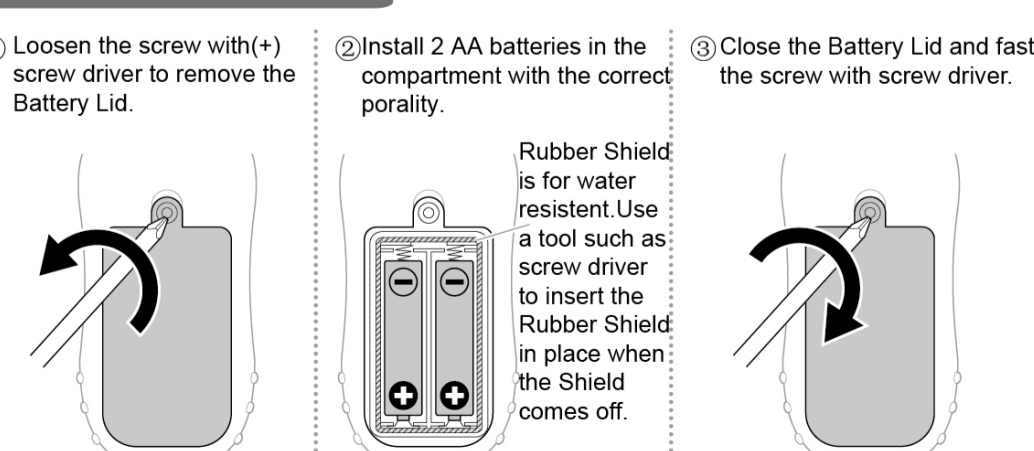
© Guangdong Xinyu Technology Industrial Co., Ltd
 For more information, visit www.xq-toys.com
 Made In China



Installing Batteries To the Car



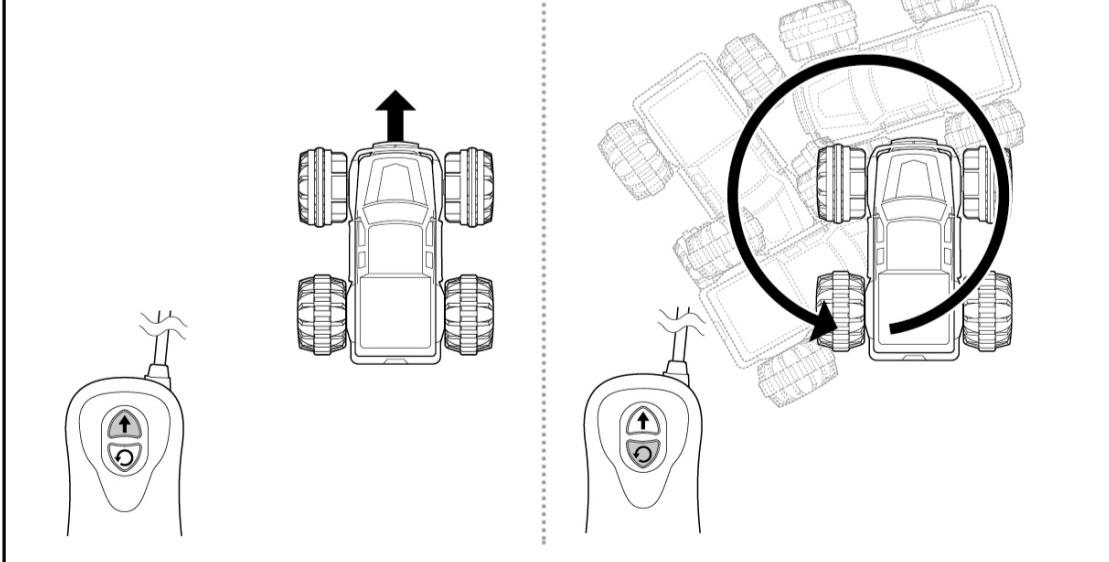
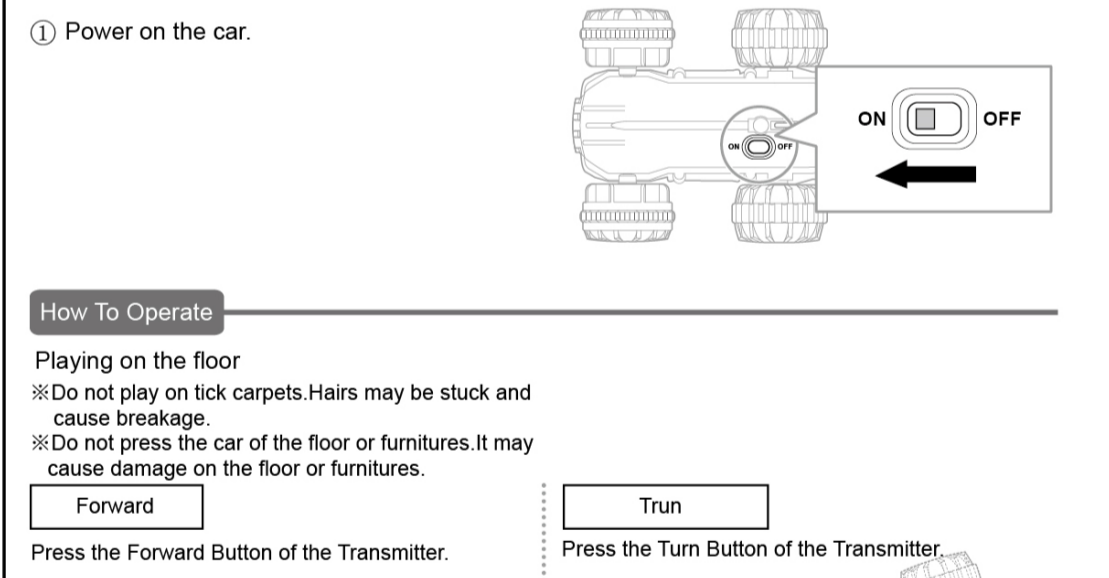
Installing Batteries To the Transmitter



※Battery Lid is packed separately.

3

Power On The Car



Caution Before Placing On Water

※ Berore placing the car on water,make sure that the Battery Lids of the Car and the Transmitter are closed properly.If the Battery Lids are not closed well ,it may cause entering of water and breakage.

4

Warning: Changes or modifications to this unit not expressly approved by the party responsible for compliance could void the user's authority to operate the equipment.

NOTE: This equipment has been tested and found to comply with the limits for a Class B digital device, pursuant to Part 15 of the FCC Rules. These limits are designed to provide reasonable protection against harmful interference in a residential installation. This equipment generates, uses and can radiate radio frequency energy and, if not installed and used in accordance with the instructions, may cause harmful interference to radio communications. However, there is no guarantee that interference will not occur in a particular installation. If this equipment does cause harmful interference to radio or television reception, which can be determined by turning the equipment off and on, the user is encouraged to try to correct the interference by one or more of the following measures:

- Reorient or relocate the receiving antenna.
- Increase the separation between the equipment and receiver.
- Connect the equipment into an outlet on a circuit different from that to which the receiver is connected.
- Consult the dealer or an experienced radio/TV technician for help.

This device complies with Part 15 of the FCC Rules.Operation is subject to the following two conditions:

- (1) this device may not cause harmful interference,and
- (2) this device must accept any interference received,including interference that may cause undesired operation.

7