



Use instruction

BC

Thank you for choosing our toy R/C car. To ensure correct and pleasant operating, please read through the following instructions to understand the product before use.

CAUTION:

ELECTRICALLY OPERATED PRODUCT

Not recommended for children under 8 years of age. As with all electric products, precautions should be observed during handling and use to prevent electric shock.

ADULT SUPERVISION REQUIRED

Warning: Changes or modifications to this unit not expressly approved by the party responsible for compliance could void the user's authority to operate the equipment.

Contents: VehicleX1, TransmitterX1, AntennaX1, Charger X1, Rechargeable battery packX1

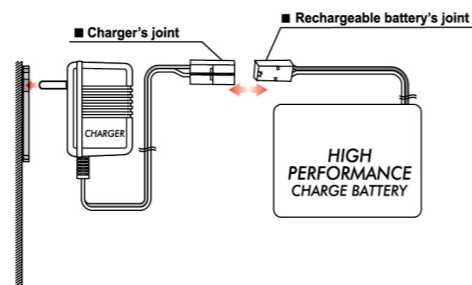
How to recharge the battery pack

1. The new NiCd or NiMH battery pack is not charged prior to shipping.
2. Plug the charger into a standard indoor electrical outlet. Insert the joint of the battery pack in the charger's joint.

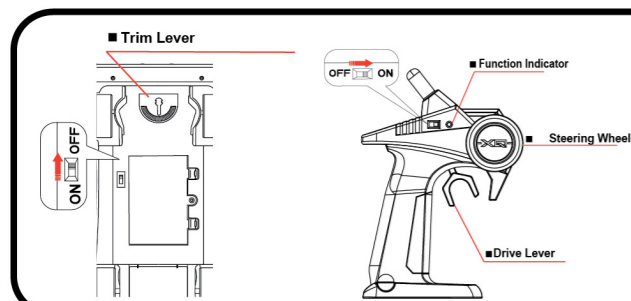
3. Allow battery pack to be charged for a minimum of 1.5 hours for the first and second charges; subsequent charges require 1 hour.

Do not over-charge the battery pack. Charging the battery pack for a longer period will not increase the battery charge life.

4. Battery chargers used with the toy are to be regularly examined. For damage to the cord, plug, enclosure and other parts, the toy must not be used with this charger until the damage has been repaired.



Transmitter and Vehicle operation

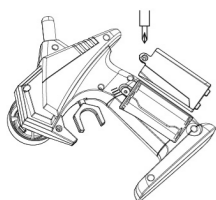


Operations Tips:

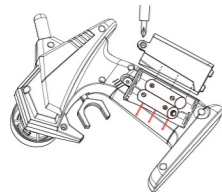
- Make sure the power switch is in the ON position when you operate, and OFF position when not in use.
- When the car goes left, adjust the Trim Lever to right until the car goes straight.
- When the car goes right, adjust the Trim Lever to left until the car goes straight.

How to install batteries- Transmitter and Vehicle

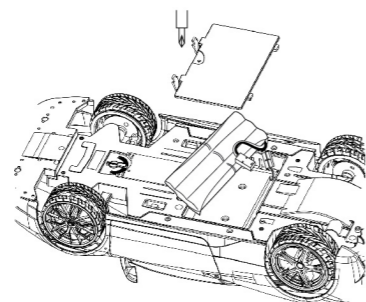
1. Open the battery cover with the snap. (See picture 1)
2. Install two AA batteries with polarity (+/-) as shown inside battery compartment. (See picture 2)
3. Install rechargeable battery pack inside the battery compartment. (See picture 3)
4. Close the battery cover with the snap.



picture 1



picture 2



picture 3

How to play

1. Install the rechargeable battery inside the battery compartment underneath the chassis, with observing polarity. Fit back the cover.
2. Insert AA battery inside the transmitter.
3. Switch on the car with the ON/OFF switch. Then switch on the transmitter, the LED light will flash rhythmically. After a few seconds, the LED light on the transmitter will stop flashing, meaning communication between the car and the transmitter has been established.
4. When the car does not run in a straight line, adjust the trim lever located beneath the chassis.
5. When the light in the transmitter begins to dim, it may be time to replace the AA battery.
6. When your R/C model car begins to lose performance, power or function, it may be time to recharge the rechargeable battery.

Battery Safety Information

1. Don't short-circuit terminals.
2. Don't recharge non-rechargeable batteries.
3. Rechargeable batteries may only be charged under the supervision of an adult.
4. Remove all batteries if vehicle will not be used for a long period of time.
5. Dispose of batteries safely. Don't dispose of batteries in fire as they may explode.
6. The battery charger used should be regularly examined for damage to the cord, plug, enclosure and other parts. In the event of damage do not use it until it has been repaired.
7. Exhausted batteries are to be removed from the toy.
8. Keep these instructions for future reference: they contain important information.
9. Packaging has to be kept since it contains important information.
10. Rechargeable batteries are to be removed from the toy before being charged.

Care and Maintenance

1. Always remove batteries from the toy when it is not being used for a long period of time.
2. Wipe the toy gently with a clean damp cloth.
3. Keep the toy away from direct sunlight and/or direct heat.
4. Do not submerge the toy into water that can damage the electronic assemblies.

Warning: Changes or modifications to this unit not expressly approved by the party responsible for compliance could void the user's authority to operate the equipment.

NOTE: This equipment has been tested and found to comply with the limits for a Class B digital device, pursuant to Part 15 of the FCC Rules. These limits are designed to provide reasonable protection against harmful interference in a residential installation. This equipment generates, uses and can radiate radio frequency energy and, if not installed and used in accordance with the instructions, may cause harmful interference to radio communications.

However, there is no guarantee that interference will not occur in a particular installation. If this equipment does cause harmful interference to radio or television reception, which can be determined by turning the equipment off and on, the user is encouraged to try to correct the interference by one or more of the following measures:

- o Reorient or relocate the receiving antenna.
- o Increase the separation between the equipment and receiver.
- o Connect the equipment into an outlet on a circuit different from that to which the receiver is connected.
- o Consult the dealer or an experienced radio/TV technician for help.

Any changes or modifications not expressly approved by the party responsible for compliance could void the user's authority to operate this equipment.

This device complies with Part 15 of the FCC Rules. Operation is subject to the following two conditions:

- (1) this device may not cause harmful interference, and
- (2) this device must accept any interference received, including interference that may cause undesired operation.



© GuangDong Xin Yu Technology Industrial CO.,LTD.

For more information, visit www.xq-toys.com & www.extrememachinesrc.com



For U.S. Customer Service Please Call (510) 618-1700
Or visit our website www.extrememachinesrc.com

Made in China